



# MODEL 22A / 44A

## 200 ton / 400 ton Gantry System

### CAPACITY:

#### 4 Point - 44A

400 (362) Tons to 15'8" (4794 mm)  
298 (270) Tons to 21'6" (6572 mm)  
200 (181) Tons to 27'5" (8350 mm)

#### 2 Point - 22A

200 (181) Tons to 15'8" (4794 mm)  
149 (135) Tons to 21'6" (6572 mm)  
100 (90) Tons to 27'5" (8350 mm)

Max. Operating PSI: 2000 (138 bar)

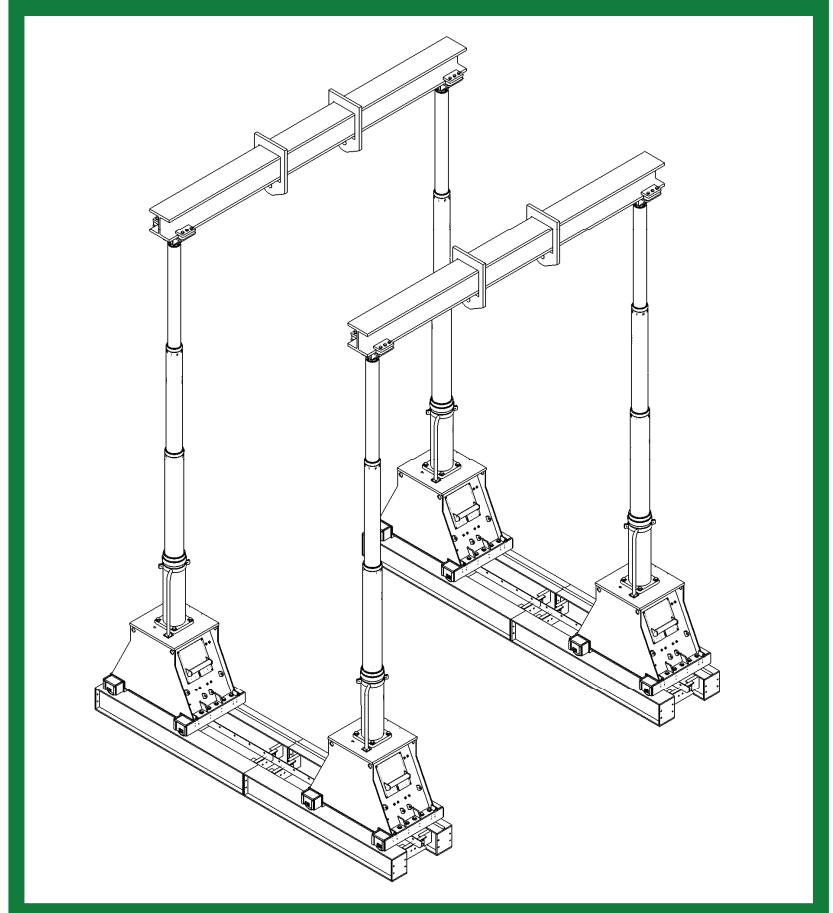
#### BASE DIMENSIONS:

Length: 67.5" (1715 mm)  
Width: 48" (1219 mm)  
Height Retracted: 9'11" (3023 mm)  
Weight: 5250 lbs. (2380 kg)

#### POWER UNITS:

Two 200 gallon (767 L) Power Units per four point system  
Power Options: Diesel, Gasoline, Propane, Electric (3 phase, 440 Volt, 60 Hz; or 3 Phase, 380 Volt, 50Hz)

Length: 65.5" (1664 mm)  
Width: 48.5" (1232 mm)  
Height: 54.75" (1391 mm)  
Weight Each: 3100 lbs. (1406 kg)



### STANDARD FEATURES

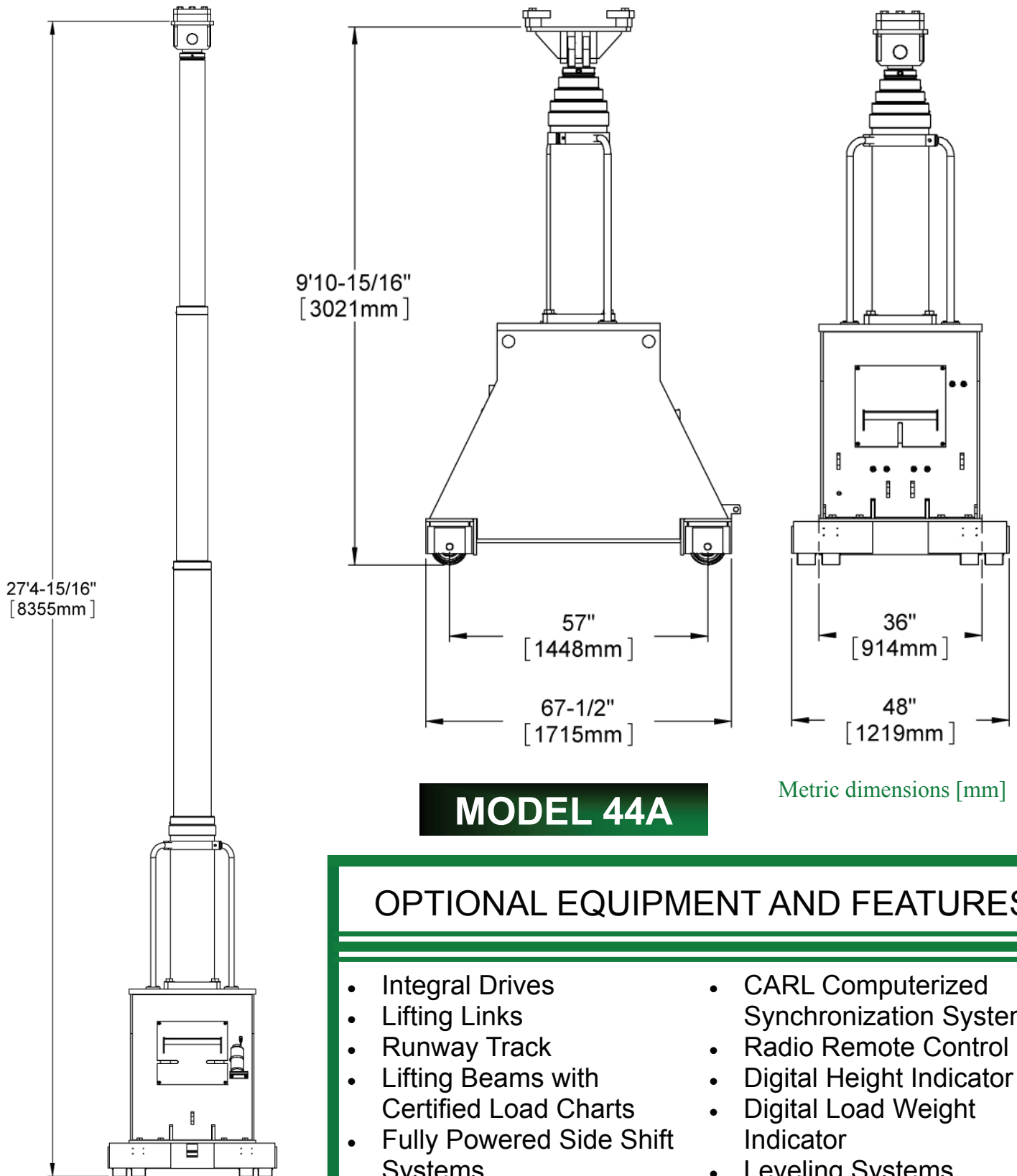
- Double acting cylinders
- Safety holding valves
- Adjustable wheel boxes

### LIFT SYSTEMS, INC.

OFFICE:  
1505 - 7th Street  
East Moline, IL 61244

MAILING ADDRESS:  
P.O. Box 906  
Moline, IL 61266

TEL: +1-309-764-9842  
FAX: +1-309-764-9848  
EMAIL: [liftit@lift-systems.com](mailto:liftit@lift-systems.com)  
WEB: [www.lift-systems.com](http://www.lift-systems.com)



## MODEL 44A

### OPTIONAL EQUIPMENT AND FEATURES

- Integral Drives
- Lifting Links
- Runway Track
- Lifting Beams with Certified Load Charts
- Fully Powered Side Shift Systems
- Training Technicians
- CARL Computerized Synchronization System
- Radio Remote Control
- Digital Height Indicator
- Digital Load Weight Indicator
- Leveling Systems

**LIFT SYSTEMS, INC.**

<b>OFFICE:</b> 1505 - 7th Street East Moline, IL 61244	<b>MAILING ADDRESS:</b> P.O. Box 906 Moline, IL 61266	<b>TEL:</b> +1-309-764-9842 <b>FAX:</b> +1-309-764-9848 <b>EMAIL:</b> <a href="mailto:liftit@lift-systems.com">liftit@lift-systems.com</a> <b>WEB:</b> <a href="http://www.lift-systems.com">www.lift-systems.com</a>
--	---	--