

Grove GMK6400

North American Product Guide

ASME B30.5
Imperial 85%

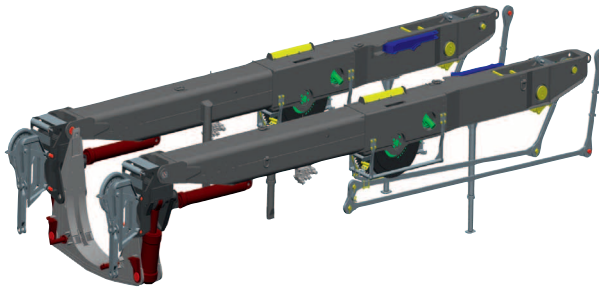


Features

- 400 t (450 USt) rating
- 15,4 m - 60 m (51 ft - 197 ft) five-section boom
- 25 m - 79 m (82 ft - 259 ft) luffing jib
- Self-rigging MegaWingLift™
- 135 t (297,600 lb) counterweight with hydraulic removal system
- MegaDrive™ hybrid drive system
- Self-rigging auxiliary hoist



Features



MegaWingLift™

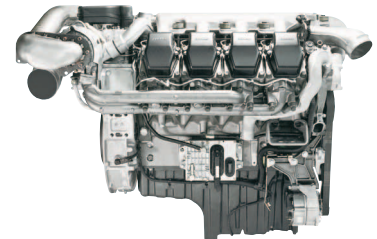
The new, patented self-rigging MegaWingLift™ reduces transportation and erection costs to a minimum. Both the MegaWingLift™ and the auxiliary hoist can be installed without an auxiliary crane.

- Transport weight: < 11 t (24,000 lb)
- Transport height: < 2500 mm (8.2 ft)



Engine

The GMK6400 comes equipped with a turbocharged OM 502 LA with eight-cylinder and 405kW Tier 4i/Euromot IIIb water-cooled Mercedes-Benz diesel engine.

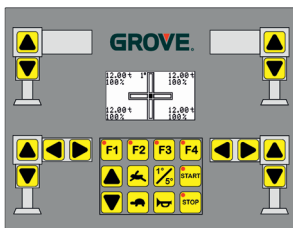


Carrier cab

The new carrier cab offers increased comfort and ergonomic instrumentation, an improved heating and cooling system with air conditioning as standard, full width cab for added visibility, better aerodynamics, and is manufactured from rust free glass-fiber and aluminum composite to provide longer life and noise reduction.

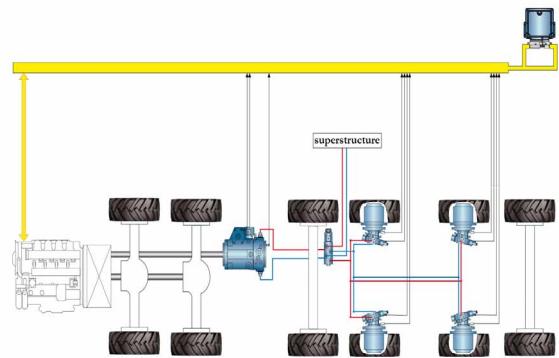
CraneSTAR

CraneSTAR is an exclusive and innovative crane asset management system that helps improve your profitability and reduce costs by remotely monitoring critical crane data. Visit www.cranestar.com for more information.



Man-Machine Interface

The new MMI display allows the control of the MEGATRAK™ suspension from both sides of the carrier. Adjustment of ground clearance independently of the outriggers. Flexibility on jobsite to react to varied site conditions. Outrigger pressure monitoring is standard. Active suspension control.



MegaDrive™

A mixture of conventional drive at the front and hybrid drive for slow speed. That creates the following advantages for you:

- Automatic on/off of MegaDrive™: over 25km/h (16 mph) off, less than 20 km/h (12 mph)
- Better traction in bad surface conditions
- Longer lifecycle of parts because of less direct contact
- Smooth and powerful acceleration from standstill

Additional features

- Strongest heavy duty 6-axle crane on the market
- Easy logistics and good transportability
- Easy and fast setup
- Symmetric 10 t (22,000 lb) counterweight slabs
- Self-rigging auxiliary hoist
- Strong 79 m (259 ft) luffing jib/ 64 m (210 ft) fixed lattice extension (shared components)

Contents

Specifications	4
Dimensions	7
Transport proposal	12
Load chart overview	15
Main boom (working range/load charts)	20
Main boom and MegaWingLift™ (working range/load charts)	30
Main boom and lattice extension (working range/load charts)	37
Main boom, lattice extension and MegaWingLift™ (working range/load charts)	44
Main boom and luffing jib (working range/load charts)	51
Main boom, luffing jib and MegaWingLift™ (working range/load charts)	68
Main boom and heavy duty jib (working range/load charts)	86
Main boom, heavy duty jib and MegaWingLift™ (working range/load charts)	91
Symbols glossary	96

Specifications

Superstructure

Boom

15,4 m - 60,0 m (51 ft - 197 ft) 5-section, full power MEGAFORM™ boom with TWIN-LOCK™ Pinning.

Maximum tip height: 63 m (206 ft).

Boom nose

Ten nylatron sheaves, mounted on heavy duty tapered roller bearings with removable pin-type rope guards. Quick reeve boom nose. Removable auxiliary boom nose with removable pin type rope guard.

Boom elevation

Single lift cylinder with safety valve provides boom angle from -1.5° to +82°.

*Optional jibs

25 m - 79 m (82 ft - 259 ft) luffing jib and offsettable 12 m - 64 m (39 ft - 210 ft) fixed jib (3° to 25°).

Maximum tip height: 136.6 m (448 ft).

*MegaWingLift™

Lift enhancing system to improve load charts. The self-rigging MegaWingLift™ can be installed without the help of an auxiliary crane.

Load moment and anti-two block system

Load moment and anti-two block system with audio/visual warning and control lever lockout provides electronic display of boom angle, length, radius, tip height, relative load moment, maximum permissible load, load indication and warning of impending two-block condition.

Cab

All aluminum constructed cab with acoustical lining, hydraulic tilted to 20°. Includes tinted safety glass, adjustable operator's seat, opening windows at side and rear, hinged windshield with wiper, sun visor and window shade. Other features include hot water heater/defroster, armrest integrated crane controls, ergonomically arranged instrumentation and radio/CD player, air conditioning, working range limiter.

Swing

3 planetary gear boxes with fixed displacement axial piston motors. Infinitely variable to 1.4 rpm. Free swing or hydrostatically engaged brake controlled by swing lever. Swing brake selected by foot operated switch.

Counterweight

135 t (297,600 lb) consisting of various sections with hydraulic installation/removal system controlled from the superstructure cab. Vehicle width 3,0 m (9.8 ft).

Electrical system

3 phase alternator: 28V/100A

2 batteries: 12V/170Ah

Lighting system and signals 24V.

Hydraulic motor

235 kW (315 hp) Rexroth. Maximum torque 660 Nm (487 ft/lb). Supplied by hydraulic carrier pumps.

Hydraulic system

Hydraulic tank capacity: 1300 L (343 gal)

Five separate circuits, three axial piston variable displacement pumps with power limiting control, one axial piston variable displacement pump for slewing and one fixed displacement pump for auxiliary gears. Standard thermostatically controlled oil coolers keep oil at optimum operating temperature. Driven by hydraulic motor.

Hoist

Main and auxiliary hoist are powered by axial piston motor with planetary gear and brake. "Thumb-thumper" hoist drum rotation indicator alerts operator of hoist movement.

	Main	Auxiliary
Rope length	380 m (1247 ft)	690 m (2263 ft)
Rope diameter	24 mm	24 mm
Line speed	120 m/min (394 fpm)	120 m/min (394 fpm)
Line pull	110 kN (24,728 lb)	104 kN (23,380 lb)

Hoist camera and light included.

Auxiliary hoist is self-rigging.

Specifications

Superstructure continued

*Optional hookblocks

Lifting capacity	Sheaves	Weight	Possible load with the crane*
250 t (275 USt)	9	3000 kg (6614 lb)	215t (236 USt)
200 t (220 USt)	7	2400 kg (5291 lb)	181 t (199 USt)
160 t (176 USt)	5	1800 kg (3669 lb)	134 t (147 USt)
100 t (110 USt)	3	1300 kg (2866 lb)	87 t (96 USt)
40 t (44 USt)	1	850 kg (1874 lb)	38 t (42 USt)
16 t (18 USt)	H/B	450 kg (992 lb)	12,5 t (13.8 USt)

* varies depending on national regulations
0° over rear with additional equipment

*Optional equipment

- ▶ Work lights, mounted on boom base section
- ▶ Boom mounted aircraft warning light
- ▶ Hook blocks/headache ball
- ▶ Engine independent diesel cab heater, with engine pre-heater. Includes 24 hour timer
- ▶ Strobe light
- ▶ Data logger
- ▶ 360° NYC swing lock
- ▶ Boom removal kit
- ▶ 1 m (3.3 ft) adapter winch can be used to make up 3,5 m (11.5 ft) or 7,5 m (24.6 ft) heavy duty jib

Carrier



Chassis

Box type, torsion resistant frame is fabricated from high strength steel.



Transmission

ZF AS Tronic 12 Electronic automatic shifting. Kessler W2500 single stage transfer case.



Outrigger system

Four hydraulic two stage outrigger beams with vertical cylinders and outrigger pads, 700 mm (27.6 in) round. Outrigger can be set in 5 positions:

Full: 8,5 m (27.9 ft)

Partial: 7,4 m (24.3 ft)

Partial: 6,3 m (20.7 ft)

Partial: 5,0 m (16.4 ft)

Retracted: 2,7 m (8.9 ft)

Independent horizontal and vertical movement controlled from each side of carrier and the superstructure cab. Electronic crane level indicators. Hydraulic disconnect for front outrigger beams and removable rear outrigger box. Work light for each outrigger beam and outrigger pad load indicator with read out on both sides of carrier and in superstructure cabin. Includes outrigger monitoring system.



Drive/steer

12 x 8 x 12

MegaDrive™

Hydrostatic hybrid drive system with axles 4 and 5 hydrostatically driven. Axles disconnect at speeds greater than 25 km/h (16 mph) and connect at speeds below 20 km/h (12 mph).



Suspension

Grove exclusive MEGATRAK™ suspension. Independent hydro-pneumatic system acting on all wheels with hydraulic lockout. Suspension can be raised 220 mm (8.7 in) or lowered 80 mm (3.1 in), both longitudinally and transversely. Features an automatic leveling system for highway travel. Active suspension control on outrigger control units.

Specifications

Carrier continued

Axles

1st axle line – drive/steer

2nd axle line – drive/steer

3rd axle line – steer

4th axle line – drive/steer

(disconnects >25 km/h [16 mph])

5th axle line – drive/steer

(disconnects >25 km/h [16 mph])

6th axle line – steer

Axles 1 and 2 with planetary hub reduction and center mounted gearing. Axles 4 and 5 MegaDrive™.

Tires

12 tires, 16.00R25 (445/95R25)
(vehicle width – 3,0 m [9.8 ft])

Steering

Dual circuit, hydraulic power assisted steering system. Transfer case mounted, ground driven emergency steering pump. Axles 1, 2, 5 and 6 steer on highway, axles 3 and 4 disconnect at speeds greater than 25 km/h (16 mph). Separate steering (steer by wire) of the 3rd to 6th axles for all wheel and crab steering, controlled by an electronic rocker switch.

Engine

Mercedes Benz OM 502 LA, eight-cylinder Tier 4i
Horsepower: 405 kW (551 hp) at 1800 rpm
Torque: 2600 Nm (1918 ft/lb) at 1300 rpm
Engine emissions: EPA /CARB/EUROMOT (off road)

Fuel tank capacity

650 L (172 gal)

Brakes

Service brakes: pneumatic dual circuit acting on all wheels.

Parking brake: pneumatically operated spring loaded brake acting on axle lines 2, 4, 5 and 6.

Air dryer.

Cab

Two-man, composite designed aluminum and fiber reinforced plastic construction with the following features: safety glass, driver seat with pneumatic suspension, engine-dependent hot water heater, power windows, heated rear view mirrors, complete instrumentation, driving controls, reversing camera system, air conditioning, radio/CD player, 12V plug and fire extinguisher.

Electrical system

24V system with three phase alternator, 28V/100A
2 batteries, 12V/170 Ah

Maximum speed

85 km/h (53 mph)

Gradeability (theoretical)

50% - 14.00R25 (385/95R25) tires

50% - 16.00R25 (445/95R25) / 20.5R25 (525/80R25) tires

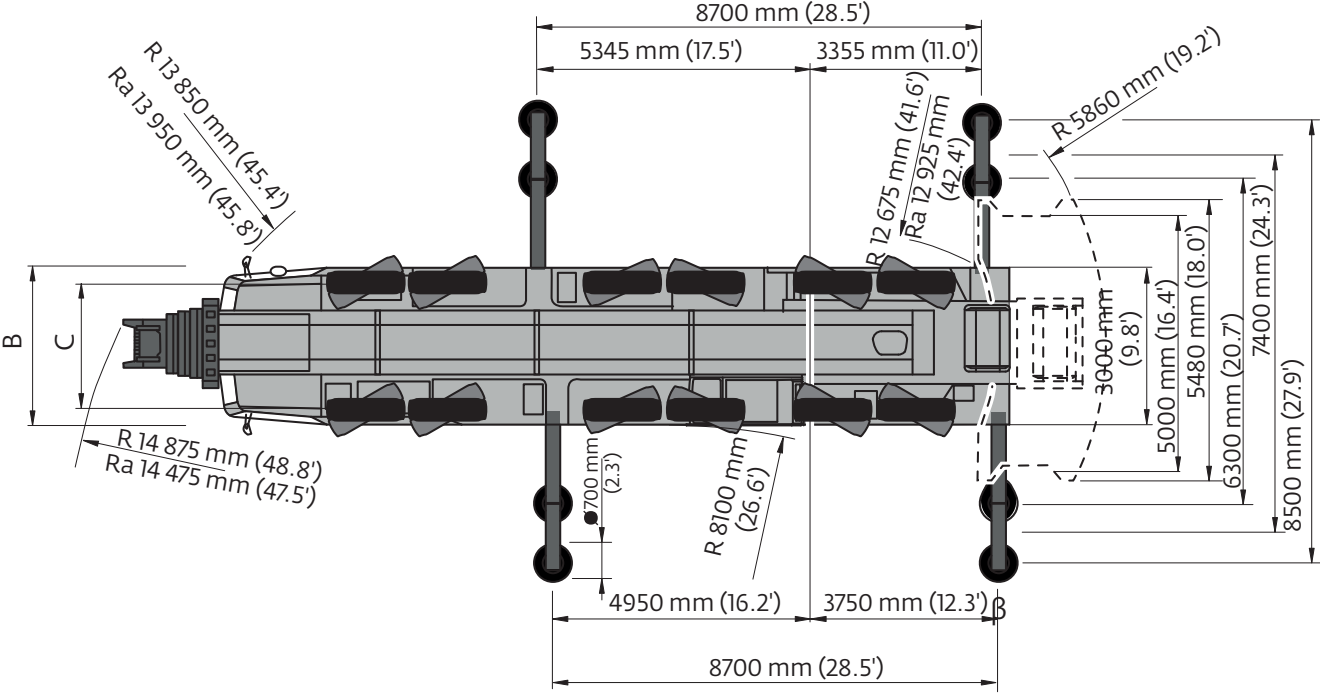
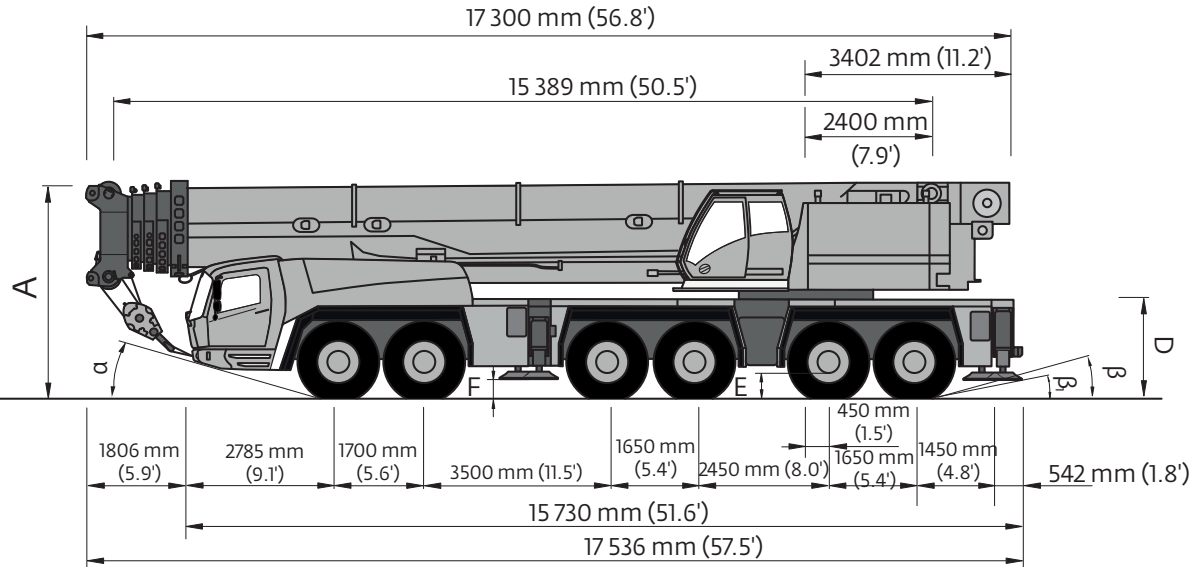
Miscellaneous standard equipment

Work lights; tool kit, fire extinguishers, auxiliary boom nose and wind speed indicator, CraneSTAR asset management system.

*Optional equipment

- ▶ 14.00R25 (385/95R25) tires
(vehicle width, 3 m [9.8 ft])
- ▶ 20.5R25 (525/80R25) tires
(vehicle width, 3,1 m [10.2 ft])
- ▶ Hydraulic driveline retarder integrated into Allison transmission
- ▶ Engine independent diesel cab heater, with engine pre-heater. Includes 24 hour timer.
- ▶ Strobe light
- ▶ Spare tire and wheel with carry bracket
- ▶ Trailer hitch
- ▶ Steel outrigger pads
- ▶ Engine shut down valve
- ▶ Tier III Engine: Mercedes Benz OM 502 LA, 420 kW (571 hp) at 1800 rpm.
Max-torque: 2700 Nm at 1080 rpm

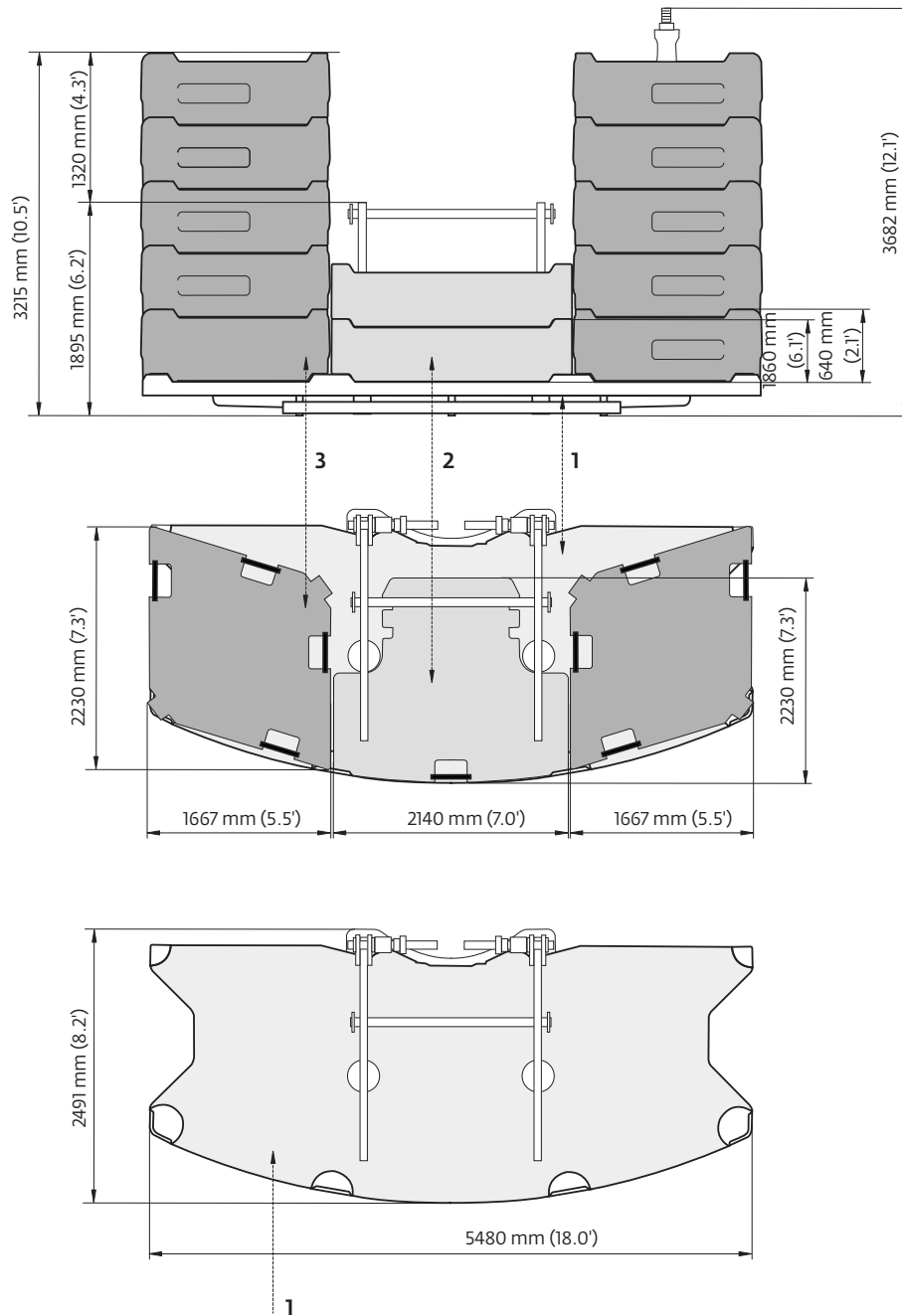
Dimensions



Tires	A	A ^{130 mm} (0.4')	B	C	D	E	F	α	β	β ₁
14.00 R25	3956 mm (13.0')	3826 mm (12.6')	2970 mm (9.7')	2570 mm (8.4')	1815 mm (6.0')	400 mm (1.3')	209 mm (0.7')	14°	11°	8°
16.00 R25	4000 mm (13.1')	3870 mm (12.7')	2975 mm (9.8')	2510 mm (8.2')	1865 mm (6.1')	450 mm (1.5')	260 mm (0.9')	16°	13°	10°
20.5 R25	4000 mm (13.1')	3870 mm (12.7')	3070 mm (10.1')	2530 mm (8.3')	1865 mm (6.1')	450 mm (1.5')	260 mm (0.9')	16°	13°	10°

Ra = Radius all wheels steered
 *Lowered

Dimensions



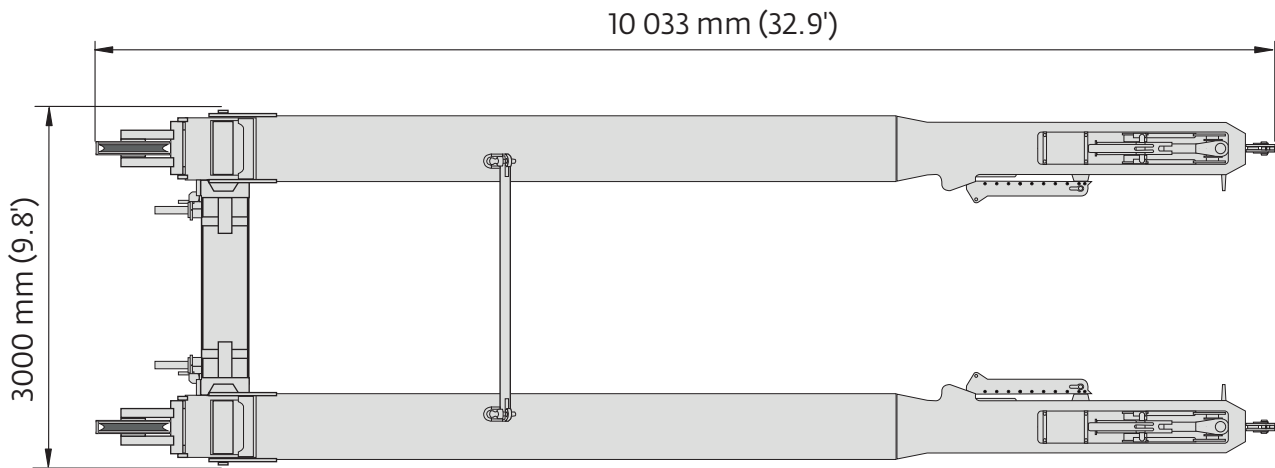
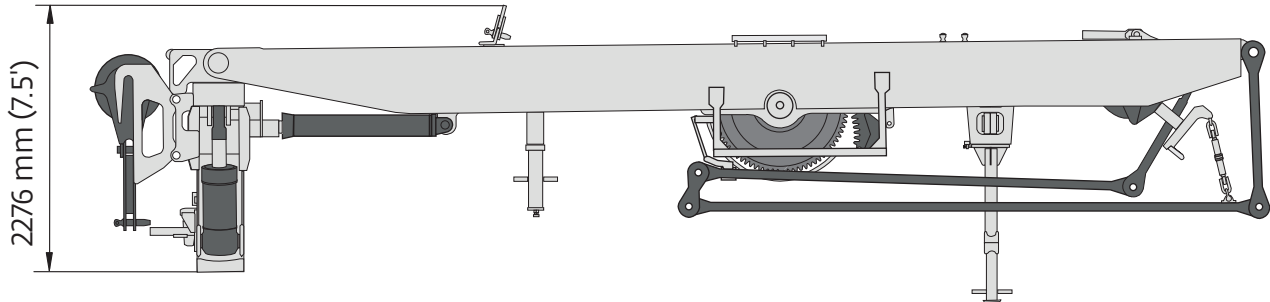
	①	②	③
15,0 t (33,000 lb)	X		
35,0 t (77,000 lb)	X		2X
55,0 t (121,000 lb)	X	2X	2X
75,0 t (165,500 lb)	X	2X	4X
95,0 t (209,500 lb)	X	2X	6X
115,0 t (253,500 lb)	X	2X	8X
135,0 t (297,600 lb)	X	2X	10X

THIS CHART IS ONLY A GUIDE AND SHOULD NOT BE USED TO OPERATE THE CRANE.

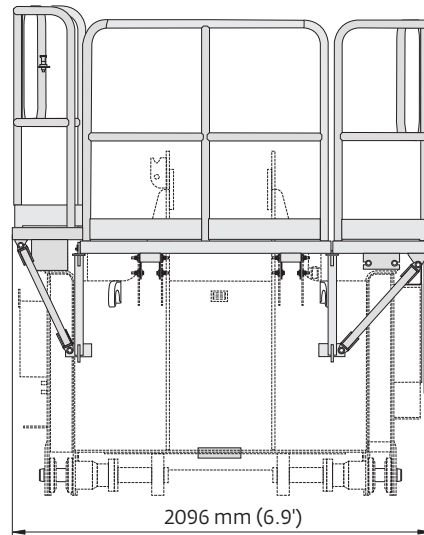
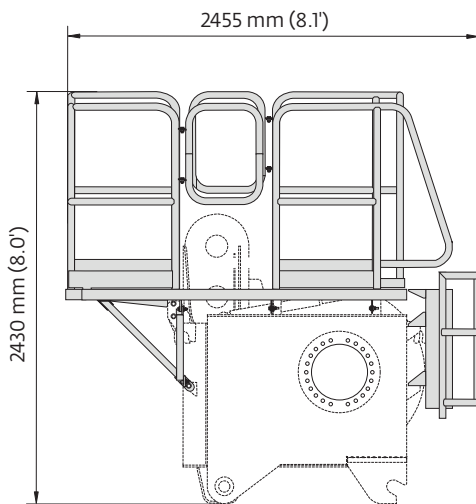
The individual crane's load chart, operating instructions and other instructional plates must be read and understood prior to operating the crane.

Dimensions

MegaWingLift™



Auxiliary hoist



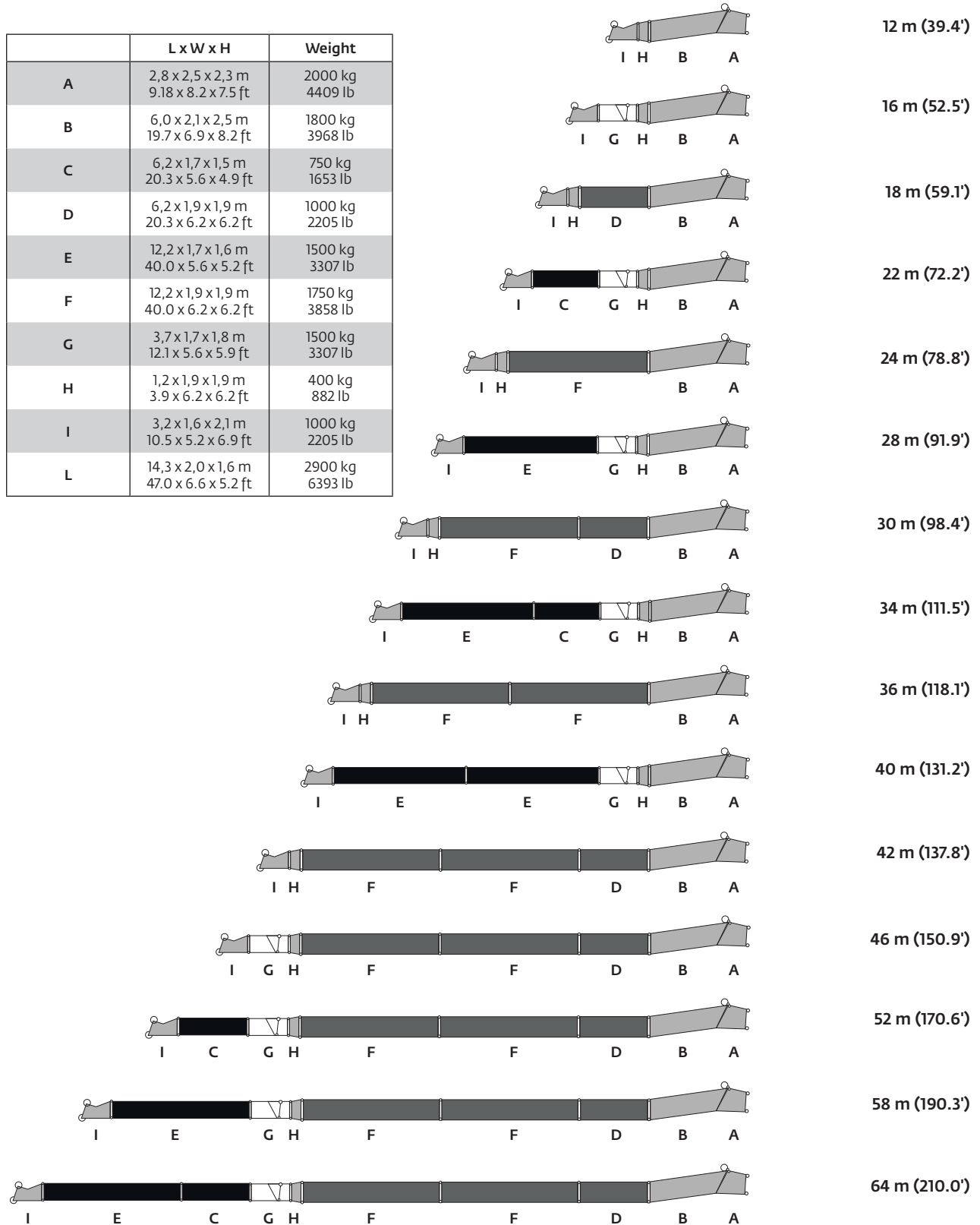
THIS CHART IS ONLY A GUIDE AND SHOULD NOT BE USED TO OPERATE THE CRANE.

Dimensions

Lattice extension

Lattice extension dimensions

	L x W x H	Weight
A	2,8 x 2,5 x 2,3 m 9.18 x 8.2 x 7.5 ft	2000 kg 4409 lb
B	6,0 x 2,1 x 2,5 m 19.7 x 6.9 x 8.2 ft	1800 kg 3968 lb
C	6,2 x 1,7 x 1,5 m 20.3 x 5.6 x 4.9 ft	750 kg 1653 lb
D	6,2 x 1,9 x 1,9 m 20.3 x 6.2 x 6.2 ft	1000 kg 2205 lb
E	12,2 x 1,7 x 1,6 m 40.0 x 5.6 x 5.2 ft	1500 kg 3307 lb
F	12,2 x 1,9 x 1,9 m 40.0 x 6.2 x 6.2 ft	1750 kg 3858 lb
G	3,7 x 1,7 x 1,8 m 12.1 x 5.6 x 5.9 ft	1500 kg 3307 lb
H	1,2 x 1,9 x 1,9 m 3.9 x 6.2 x 6.2 ft	400 kg 882 lb
I	3,2 x 1,6 x 2,1 m 10.5 x 5.2 x 6.9 ft	1000 kg 2205 lb
L	14,3 x 2,0 x 1,6 m 47.0 x 6.6 x 5.2 ft	2900 kg 6393 lb



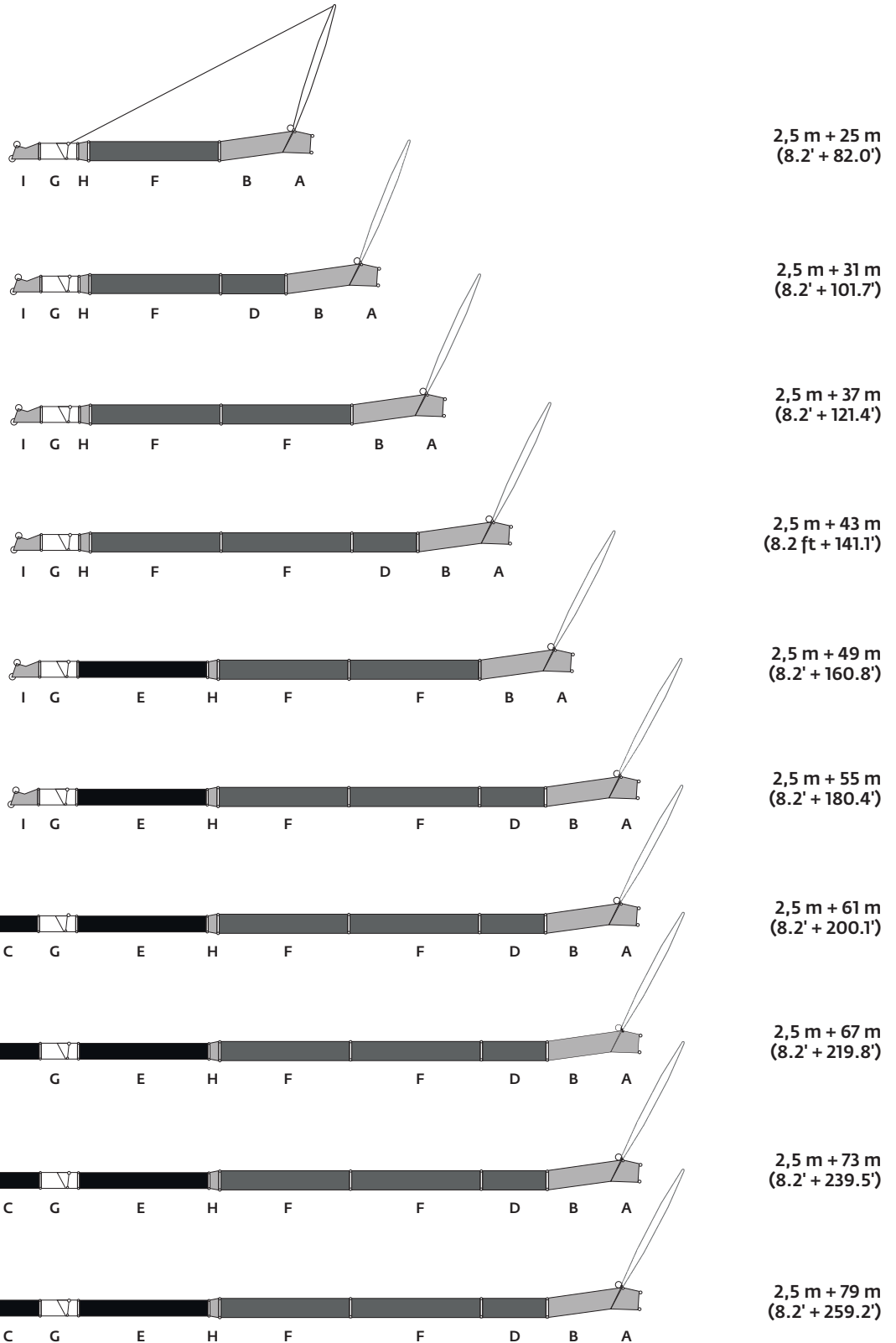
THIS CHART IS ONLY A GUIDE AND SHOULD NOT BE USED TO OPERATE THE CRANE.

The individual crane's load chart, operating instructions and other instructional plates must be read and understood prior to operating the crane.

Dimensions

Luffing jib

Luffing jib dimensions

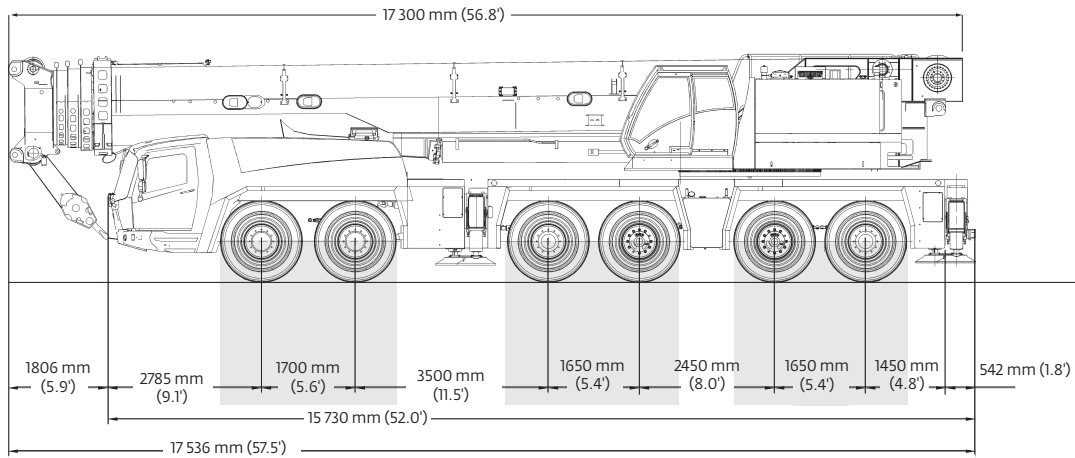


THIS CHART IS ONLY A GUIDE AND SHOULD NOT BE USED TO OPERATE THE CRANE.

Grove GMK6400 The individual crane's load chart, operating instructions and other instructional plates must be read and understood prior to operating the crane.

Transport proposals

PROVISIONAL- Boom over front



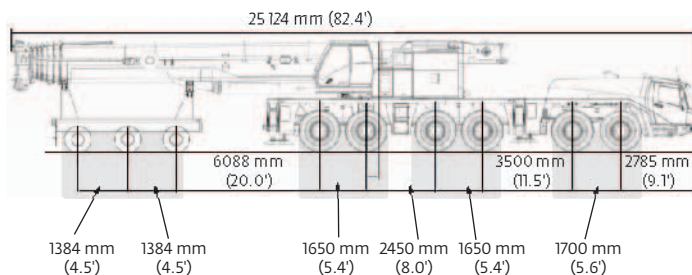
	Axes 1-2	Axes 3-6	Total GVW
Boom over front, rear outrigger box removed	27 246 kg (60,067 lb)	41 793 kg (92,129 lb)	69 039 kg (152,206 lb)
Boom over front, rear outrigger box installed	24 204 kg (53,361 lb)	49 960 kg (110,143 lb)	74 164 kg (163,504 lb)
Boom removed, rear outrigger box installed	9035 kg (19,919 lb)	38 809 kg (85,559 lb)	47 844 kg (105,479 lb)

Unit equipped with:

- 20.5 tires on aluminum rims
- Operator, 75 kg (165 lb)
- Welded on MegaWingLift™

Allow 3% variation in weight due to manufacturing tolerances

PROVISIONAL - Trailing boom with dolly



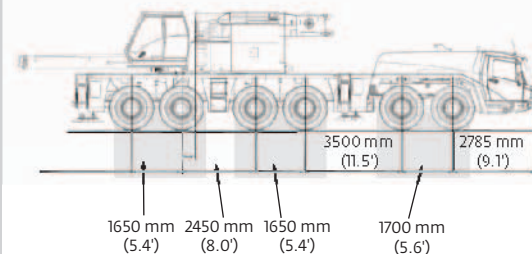
	Axes 1-2	Axes 3-6	Dolly	Total GVW
Boom in dolly over rear, rear outrigger box removed	16 242 kg (35,806 lb)	38 994 kg (85,966 lb)	17 492 kg (38,562 lb)	72 728 kg (160,335 lb)
Boom in dolly over rear, rear outrigger box installed	13 200 kg (29,100 lb)	47 161 kg (103,970 lb)	17 482 kg (38,563 lb)	77 853 kg (171,633 lb)

Unit equipped with:

- 20.5 tires on aluminum rims
- Operator, 75 kg (165 lb)
- Welded on MegaWingLift™ hardware
- 3-axle dolly (4309 kg [9500 lb])

Allow 3% variation in weight due to manufacturing tolerances

PROVISIONAL - Boom removed, superstructure over rear



	Axes 1-2	Axes 3-6	Total GVW
Boom removed, superstructure over rear	12 336 kg (27,196 lb)	30 397 kg (67,015 lb)	42 733 kg (94,210 lb)

Unit equipped with:

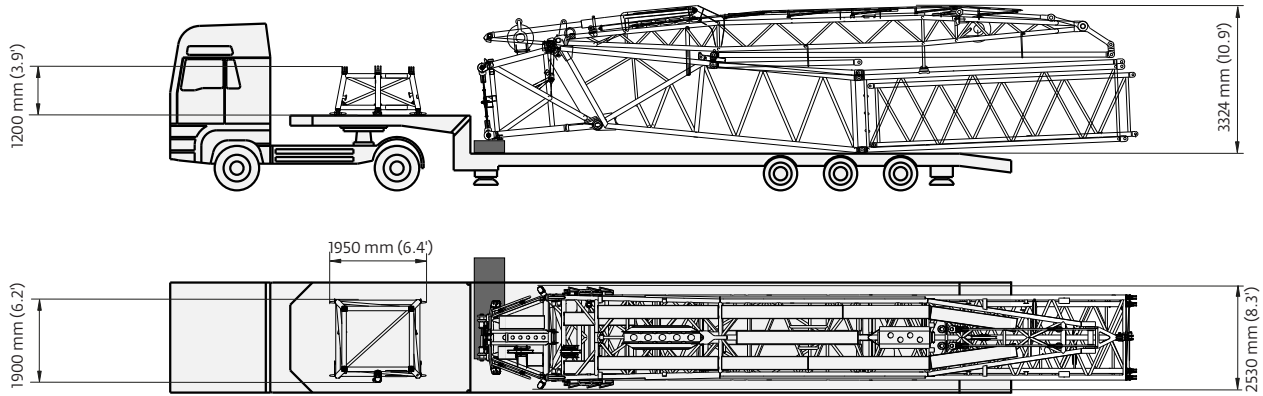
- Rear outrigger box removed
- 20.5 tires on aluminum rims
- Operator, 75 kg (165 lb)

Allow 3% variation in weight due to manufacturing tolerances

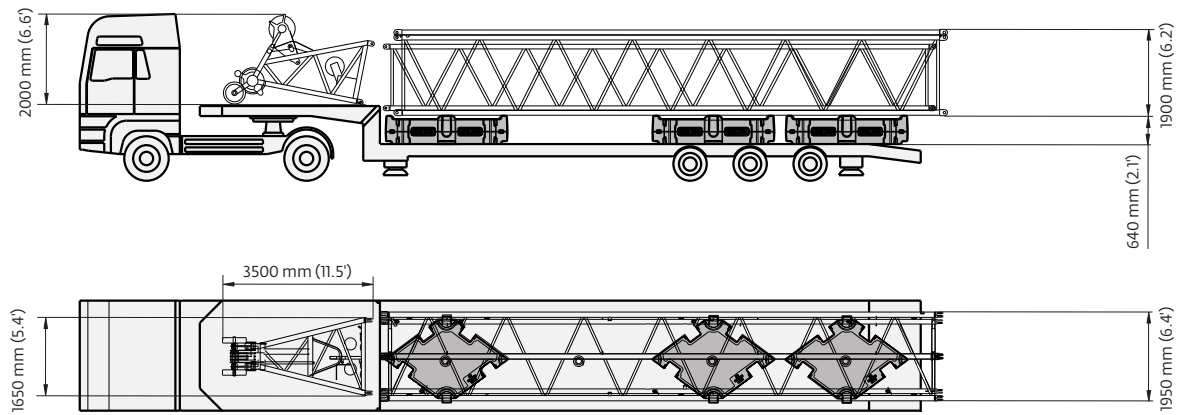
Transport proposals

Transport proposal

A+B+C+D+H+L



F+E+I



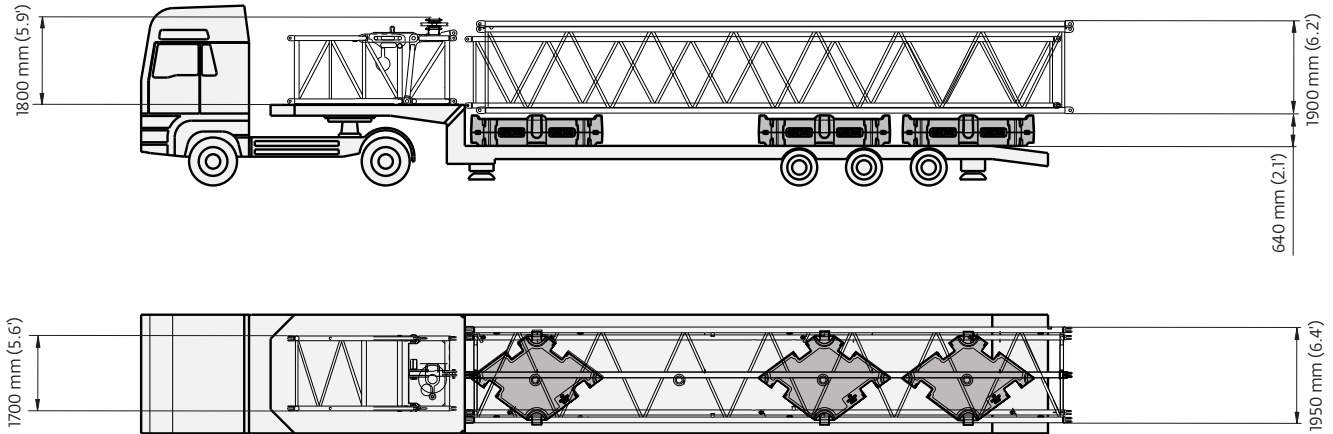
THIS CHART IS ONLY A GUIDE AND SHOULD NOT BE USED TO OPERATE THE CRANE.

The individual crane's load chart, operating instructions and other instructional plates must be read and understood prior to operating the crane.

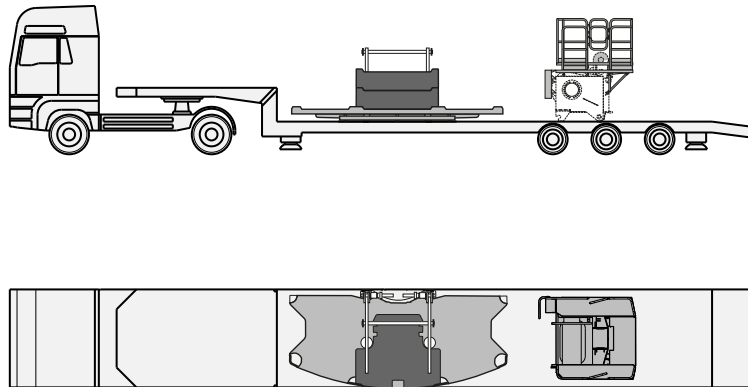
Transport proposals

Transport proposal

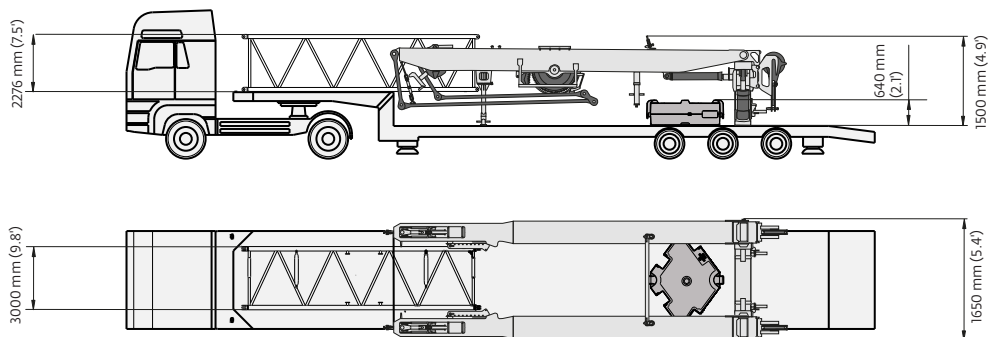
F+E+G



15 t (33,070 lb) baseplate + 2x10 t (22,046 lb) slab + auxiliary hoist



MegaWingLift™ + C



THIS CHART IS ONLY A GUIDE AND SHOULD NOT BE USED TO OPERATE THE CRANE.

The individual crane's load chart, operating instructions and other instructional plates must be read and understood prior to operating the crane.

Load chart

Overview

Overview



50.5 ft – 196.9 ft



360°

ft		28.5 x 27.8 ft										28.5 x 24.2 ft									
ft	lb x1000	297.6	253.5	209.4	165.3	121.2	99.2	77.1	55.1	33.0	0.0	297.6	253.5	209.4	165.3	121.2	99.2	77.1	55.1	33.0	0.0
50.5		*	*	*	*	*	*	*	*	*	*	*	*	*	*	*	*	*	*	*	*
60.6		*	*	*	*	*	*	*	*	*	*	*	*	*	*	*	*	*	*	*	*
82.6		*	*	*	*	*	*	*	*	*	*	*	*	*	*	*	*	*	*	*	*
87.3		*	*	*	*	*	*	*	*	*	*	*	*	*	*	*	*	*	*	*	*
98.7		*	*	*	*	*	*	*	*	*	*	*	*	*	*	*	*	*	*	*	*
114.8		*	*	*	*	*	*	*	*	*	*	*	*	*	*	*	*	*	*	*	*
123.9		*	*	*	*	*	*	*	*	*	*	*	*	*	*	*	*	*	*	*	*
130.9		*	*	*	*	*	*	*	*	*	*	*	*	*	*	*	*	*	*	*	*
139.9		*	*	*	*	*	*	*	*	*	*	*	*	*	*	*	*	*	*	*	*
147.0		*	*	*	*	*	*	*	*	*	*	*	*	*	*	*	*	*	*	*	*
160.3		*	*	*	*	*	*	*	*	*	*	*	*	*	*	*	*	*	*	*	*
163.0		*	*	*	*	*	*	*	*	*	*	*	*	*	*	*	*	*	*	*	*
179.1		*	*	*	*	*	*	*	*	*	*	*	*	*	*	*	*	*	*	*	*
192.4		*	*	*	*	*	*	*	*	*	*	*	*	*	*	*	*	*	*	*	*
196.8		*	*	*	*	*	*	*	*	*	*	*	*	*	*	*	*	*	*	*	*

ft		28.5 ft x 20.6 ft								28.5 ft x 16.4 ft					
ft	lb x1000	209.4	165.3	121.2	99.2	77.1	55.1	33.0	0.0	121.2	99.2	77.1	55.1	33.0	0.0
50.5		*	*	*	*	*	*	*	*	*	*	*	*	*	*
60.6		*	*	*	*	*	*	*	*	*	*	*	*	*	*
82.6		*	*	*	*	*	*	*	*	*	*	*	*	*	*
87.3		*	*	*	*	*	*	*	*	*	*	*	*	*	*
98.7		*	*	*	*	*	*	*	*	*	*	*	*	*	*
114.8		*	*	*	*	*	*	*	*	*	*	*	*	*	*
123.9		*	*	*	*	*	*	*	*	*	*	*	*	*	*
130.9		*	*	*	*	*	*	*	*	*	*	*	*	*	*
139.9		*	*	*	*	*	*	*	*	*	*	*	*	*	*
147.0		*	*	*	*	*	*	*	*	*	*	*	*	*	*
160.3		*	*	*	*	*	*	*	*	*	*	*	*	*	*
163.0		*	*	*	*	*	*	*	*	*	*	*	*	*	*
179.1		*	*	*	*	*	*	*	*	*	*	*	*	*	*
192.4		*	*	*	*	*	*	*	*	*	*	*	*	*	*
196.8		*	*	*	*	*	*	*	*	*	*	*	*	*	*



114.8 ft - 196.8 ft + MegaWingLift™



360°

ft		28.5 x 27.8 ft						28.5 x 24.2 ft					28.5 ft x 20.6 ft		
ft	lb x1000	297.6	253.5	209.5	165.5	121.0	99.0	77.0	297.6	253.5	209.5	165.5	121.0	209.5	165.5
114.8		*	*	*	*	*	*	*	*	*	*	*	*	*	*
130.9		*	*	*	*	*	*	*	*	*	*	*	*	*	*
139.9		*	*	*	*	*	*	*	*	*	*	*	*	*	*
147.0		*	*	*	*	*	*	*	*	*	*	*	*	*	*
163.0		*	*	*	*	*	*	*	*	*	*	*	*	*	*
179.1		*	*	*	*	*	*	*	*	*	*	*	*	*	*
196.8		*	*	*	*	*	*	*	*	*	*	*	*	*	*

THIS CHART IS ONLY A GUIDE AND SHOULD NOT BE USED TO OPERATE THE CRANE.

Load chart

Overview

Overview



3° (25°)



360°

ft		28.5 x 27.8 ft														
		297.6/ 253.5/ 209.5/ 165.5 k lb														
ft	lb x1000	39	52	59	72	79	92	98	112	118	131	138	151	171	190	210
50.5	
66.6	
82.7	
98.8	
114.8	
130.9	
147.0	
163.0	
179.1	

ft		28.5 x 27.8 ft													
		121.0 k lb													
ft	lb x1000	39	52	59	72	79	92	98	112	118	131	138	151	171	
50.5		
66.6		
82.7		
98.8		
114.8		
130.9		
147.0		
163.0		
179.1		

ft		28.5 x 27.8 ft							
		77.0 k lb							
ft	lb x1000	39	52	59	72	79	92	98	
50.5		
66.6		
82.7		
98.8		
114.8		
130.9		
147.0		
163.0		
179.1		

ft		28.5 x 24.3 ft														
		297.6/ 253.5/ 209.5/ 165.5 k lb														
ft	lb x1000	39	52	59	72	79	92	98	112	118	131	138	151	171	190	210
50.5	
66.6	
82.7	
98.8	
114.8	
130.9	
147.0	
163.0	
179.1	

THIS CHART IS ONLY A GUIDE AND SHOULD NOT BE USED TO OPERATE THE CRANE.

The individual crane's load chart, operating instructions and other instructional plates must be read and understood prior to operating the crane.

Load chart

Overview

Overview



3° (25°)



360°

ft		28.5 x 27.8 ft													
		121.0 k lb											77.0 k lb		
ft	lb x1000	39	52	59	72	79	92	98	112	118	131	138	39	52	59
50.5	
66.6	
82.7	
98.8	
114.8	
130.9	
147.0	
163.0	
179.1	

ft		28.5 x 20.7 ft															
		209.5 k lb															
ft	lb x1000	39	52	59	72	79	92	98	112	118	131	138	151	171	190	210	
50.5		
66.6		
82.7		
98.8		
114.8		
130.9		
147.0		
163.0		
179.1		

ft		28.5 x 20.7 ft												
		165.5 k lb												
ft	lb x1000	39	52	59	72	79	92	98	112	118	131	138	151	
50.5		
66.6		
82.7		
98.8		
114.8		
130.9		
147.0		
163.0		
179.1		

ft		28.5 x 20.7 ft							
		121.0 k lb							
ft	lb x1000	39	52	59	72	79	92	98	
50.5		
66.6		
82.7		
98.8		
114.8		
130.9		
147.0		
163.0		
179.1		

THIS CHART IS ONLY A GUIDE AND SHOULD NOT BE USED TO OPERATE THE CRANE.

Grove GMK6400 The individual crane's load chart, operating instructions and other instructional plates must be read and understood prior to operating the crane.

Load chart

Overview

Overview



3° (25°) + MegaWingLift™



360°

ft		28.5 x 27.8 ft														
		297.6/ 253.5/ 209.5/ 165.5 k lb														
ft	lb x1000	39	52	59	72	79	92	98	112	118	131	138	151	171	190	210
114.8		•	•	•	•	•	•	•	•	•	•	•	•	•	•	•
130.9		•	•	•	•	•	•	•	•	•	•	•	•	•	•	•
147.0		•	•	•	•	•	•	•	•	•	•	•	•	•	•	•
163.0		•	•	•	•	•	•	•	•	•	•	•	•	•	•	•
179.1		•	•	•	•	•	•	•	•	•	•	•	•	•	•	•

ft		28.5 x 27.8 ft													
		121.0 k lb													
ft	lb x1000	39	52	59	72	79	92	98	112	118	131	138	151	171	
114.8		•	•	•	•	•	•	•	•	•	•	•	•	•	
130.9		•	•	•	•	•	•	•	•	•	•	•	•	•	
147.0		•	•	•	•	•	•	•	•	•	•	•	•	•	
163.0		•	•	•	•	•	•	•	•	•	•	•	•	•	
179.1		•	•	•	•	•	•	•	•	•	•	•	•	•	

ft		28.5 x 27.8 ft							
		77.0 k lb							
ft	lb x1000	39	52	59	72	79	92	98	
114.8		•	•	•	•	•	•	•	
130.9		•	•	•	•	•	•	•	
147.0		•	•	•	•	•	•	•	
163.0		•	•	•	•	•	•	•	
179.1		•	•	•	•	•	•	•	

ft		28.5 x 24.3 ft														
		297.6/ 253.5/ 209.5/ 165.5 k lb														
ft	lb x1000	39	52	59	72	79	92	98	112	118	131	138	151	171	190	210
114.8		•	•	•	•	•	•	•	•	•	•	•	•	•	•	•
130.9		•	•	•	•	•	•	•	•	•	•	•	•	•	•	•
147.0		•	•	•	•	•	•	•	•	•	•	•	•	•	•	•
163.0		•	•	•	•	•	•	•	•	•	•	•	•	•	•	•
179.1		•	•	•	•	•	•	•	•	•	•	•	•	•	•	•

ft		28,5 x 24.3 ft														
		121.0 k lb												77.0 k lb		
ft	lb x1000	39	52	59	72	79	92	98	112	118	131	138	39	52	59	
114.8		•	•	•	•	•	•	•	•	•	•	•	•	•	•	
130.9		•	•	•	•	•	•	•	•	•	•	•	•	•	•	
147.0		•	•	•	•	•	•	•	•	•	•	•	•	•	•	
163.0		•	•	•	•	•	•	•	•	•	•	•	•	•	•	
179.1		•	•	•	•	•	•	•	•	•	•	•	•	•	•	

THIS CHART IS ONLY A GUIDE AND SHOULD NOT BE USED TO OPERATE THE CRANE.

The individual crane's load chart, operating instructions and other instructional plates must be read and understood prior to operating the crane.

Load chart

Overview




Overview









3° (25°) + MegaWingLift™



360°

 ft		28.5 x 20.7 ft														
		209.5 k lb														
 ft	 lb x1000	39	52	59	72	79	92	98	112	118	131	138	151	171	190	210
114.8		•	•	•	•	•	•	•	•	•	•	•	•	•	•	•
130.9		•	•	•	•	•	•	•	•	•	•	•	•	•	•	•
147.0		•	•	•	•	•	•	•	•	•	•	•	•	•	•	•
163.0		•	•	•	•	•	•	•	•	•	•	•	•	•	•	•
179.1		•	•	•	•	•	•	•	•	•	•	•	•	•	•	•

 ft		28.5 x 20.7 ft											
		165.4 k lb											
 ft	 lb x1000	12	16	18	22	24	28	30	34	36	40	42	46
114.8		•	•	•	•	•	•	•	•	•	•	•	•
130.9		•	•	•	•	•	•	•	•	•	•	•	•
147.0		•	•	•	•	•	•	•	•	•	•	•	•
163.0		•	•	•	•	•	•	•	•	•	•	•	•
179.1		•	•	•	•	•	•	•	•	•	•	•	•

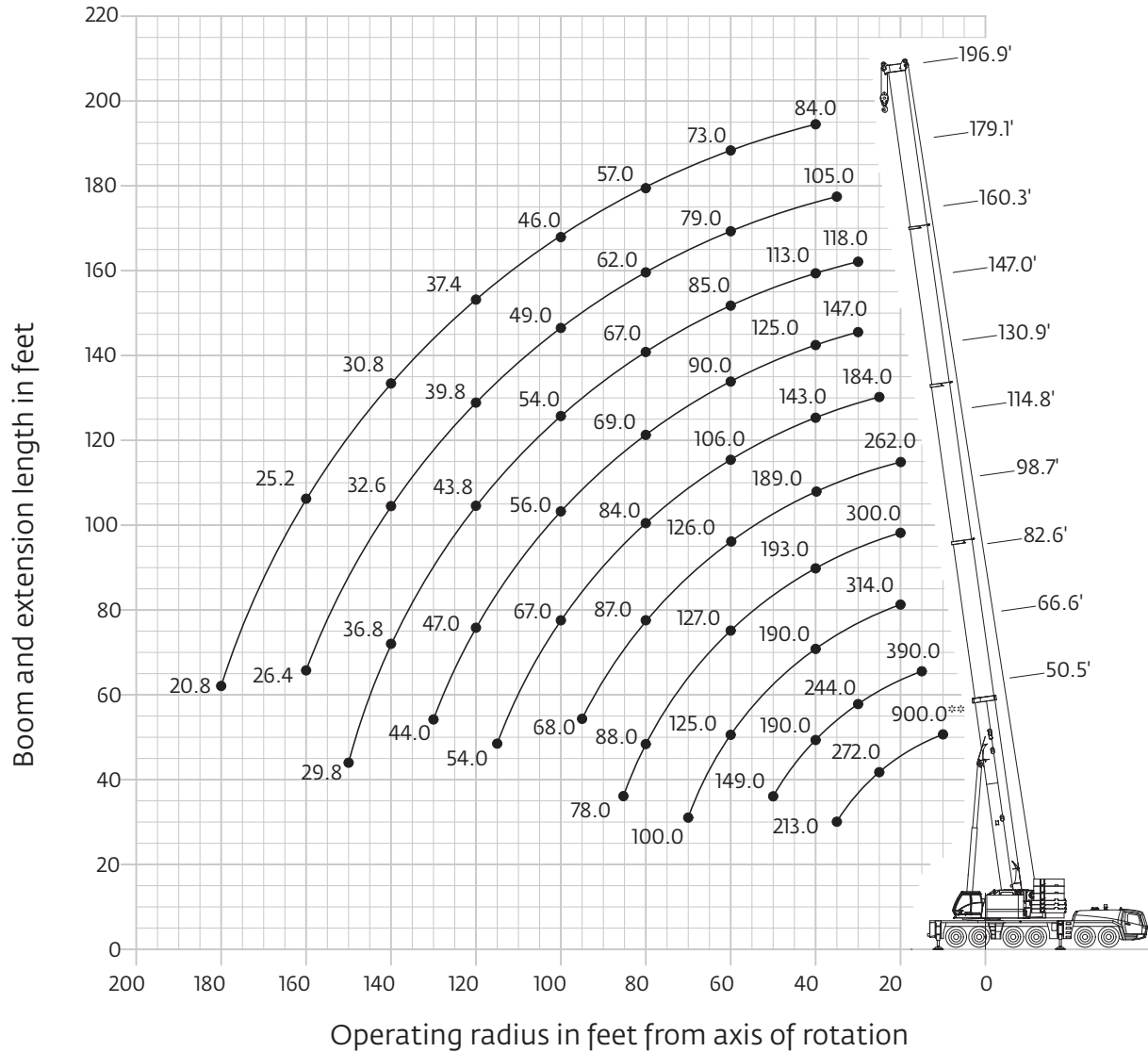
 ft		28.5 x 20.7 ft						
		121.0 k lb						
 ft	 lb x1000	39	52	59	72	79	92	98
114.8		•	•	•	•	•	•	•
130.9		•	•	•	•	•	•	•
147.0		•	•	•	•	•	•	•
163.0		•	•	•	•	•	•	•
179.1		•	•	•	•	•	•	•

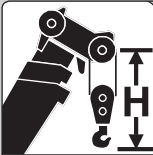
THIS CHART IS ONLY A GUIDE AND SHOULD NOT BE USED TO OPERATE THE CRANE.

Working range

Main boom

15,4 m - 60 m (51 ft - 197 ft) main boom



	Hook block (USt)	H
		320 D
	250 D	3950 mm (13.0 ft)
	200 D	3650 mm (12.0 ft)
	160 D	3650 mm (12.0 ft)
	100 D/E	3300 mm (10.8 ft)
	40 D/E	3200 mm (10.5 ft)
	16 H/B	2600 mm (8.5 ft)

THIS CHART IS ONLY A GUIDE AND SHOULD NOT BE USED TO OPERATE THE CRANE.

The individual crane's load chart, operating instructions and other instructional plates must be read and understood prior to operating the crane.

Load chart

Main boom



15,4 m - 60 m
(51 ft - 197 ft)



135 000 kg
(297,600 lb)



8,7 m x 8,5 m
(28.5 ft x 27.8 ft)
(100%)



360°



Pounds x 1000

Feet	50.5°	50.5	66.6	82.6	87.3	98.7	114.8	123.9	130.9	139.9	147.0	163.0	179.1	192.4	196.9	Feet
8	900.00**															8
25			280.00													25
30		242.00	244.00	244.00	200.00	234.00		170.00	168.00		147.00					30
35		213.00	215.00	215.00	178.00	213.00	206.00	153.00	154.00		136.00	120.00	105.00			35
40			190.00	190.00	160.00	193.00	189.00	139.00	143.00	103.00	125.00	113.00	102.00	88.00	84.00	40
45			170.00	170.00	146.00	173.00	172.00	125.00	132.00	95.00	115.00	105.00	97.00	88.00	84.00	45
50			149.00	153.00	133.00	156.00	154.00	114.00	122.00	87.00	106.00	98.00	91.00	84.00	82.00	50
55				138.00	123.00	140.00	139.00	104.00	114.00	81.00	97.00	91.00	85.00	80.00	78.00	55
60				125.00	114.00	127.00	126.00	95.00	106.00	75.00	90.00	85.00	79.00	75.00	73.00	60
65				113.00	106.00	116.00	114.00	87.00	99.00	70.00	84.00	79.00	74.00	70.00	69.00	65
70				100.00	97.00	105.00	104.00	81.00	94.00	65.00	78.00	75.00	70.00	66.00	65.00	70
75					97.00	95.00	95.00	76.00	89.00	61.00	73.00	70.00	65.00	62.00	61.00	75
80					88.00	87.00	87.00	70.00	84.00	58.00	69.00	67.00	62.00	59.00	57.00	80
85						78.00	81.00	65.00	80.00	54.00	65.00	63.00	58.00	55.00	54.00	85
90							75.00	60.00	76.00	52.00	62.00	60.00	55.00	52.00	51.00	90
95							68.00	56.00	71.00	49.00	59.00	57.00	52.00	50.00	48.00	95
100								53.00	67.00	47.00	56.00	54.00	50.00	47.00	46.00	100
105								50.00	62.00	45.00	54.00	51.00	47.00	44.00	43.40	105
110								48.00	57.00	42.40	51.00	48.00	45.00	42.20	41.20	110
115									54.00	40.60	49.00	46.00	43.20	40.20	39.20	115
120										39.00	47.00	43.80	41.40	38.40	37.40	120
125											46.00	41.80	39.60	36.60	35.80	125
130												44.00	39.80	37.80	34.00	130
135													38.20	36.20	32.40	135
140													36.80	34.20	30.80	140
145													35.20	33.20	29.40	145
150													29.80	32.00	28.00	150
155														30.80	26.60	155
160														29.40	25.20	160
165															24.00	165
170															23.40	170
175															22.40	175
180															20.80	180

*Over rear

**Over rear with special equipment

THIS CHART IS ONLY A GUIDE AND SHOULD NOT BE USED TO OPERATE THE CRANE.

Load chart

Main boom



15,4 m - 60 m
(51 ft - 197 ft)



115 000 kg
(253,500 lb)



8,7 m x 8,5 m
(28.5 ft x 27.8 ft)
(100%)



360°



Pounds x 1000

Feet	50.5	66.6	82.6	87.3	98.7	114.8	123.9	130.9	139.9	147.0	163.0	179.1	192.4	196.9	Feet
15		384.00													15
20	328.00	326.00	314.00	256.00	300.00	262.00									20
25	276.00	278.00	278.00	226.00	264.00	254.00		184.00							25
30	238.00	240.00	240.00	200.00	238.00	226.00	170.00	168.00	124.00	147.00	126.00				30
35	208.00	210.00	210.00	178.00	213.00	206.00	153.00	154.00	113.00	136.00	120.00	105.00			35
40	184.00	185.00	160.00	187.00	186.00	139.00	143.00	103.00	125.00	113.00	102.00	88.00	84.00	84.00	40
45	162.00	162.00	146.00	165.00	164.00	125.00	132.00	95.00	115.00	105.00	97.00	88.00	84.00	84.00	45
50	145.00	143.00	133.00	146.00	144.00	114.00	122.00	87.00	106.00	98.00	91.00	84.00	82.00	82.00	50
55		130.00	123.00	130.00	128.00	104.00	114.00	81.00	97.00	91.00	85.00	80.00	78.00	78.00	55
60		117.00	112.00	116.00	115.00	95.00	106.00	75.00	90.00	85.00	79.00	75.00	73.00	73.00	60
65		106.00	100.00	105.00	104.00	87.00	99.00	70.00	84.00	79.00	74.00	70.00	69.00	69.00	65
70		96.00	91.00	96.00	94.00	81.00	94.00	65.00	78.00	75.00	70.00	66.00	65.00	65.00	70
75				88.00	86.00	76.00	88.00	61.00	73.00	70.00	65.00	62.00	61.00	61.00	75
80				81.00	79.00	70.00	81.00	58.00	69.00	67.00	62.00	59.00	57.00	57.00	80
85				73.00	73.00	65.00	75.00	54.00	65.00	63.00	58.00	55.00	54.00	54.00	85
90					68.00	60.00	69.00	52.00	62.00	60.00	55.00	52.00	51.00	51.00	90
95						65.00	56.00	64.00	49.00	59.00	57.00	52.00	50.00	48.00	95
100							53.00	60.00	47.00	56.00	54.00	50.00	47.00	46.00	100
105							50.00	56.00	45.00	54.00	51.00	47.00	44.00	43.40	105
110							48.00	52.00	42.40	51.00	48.00	45.00	42.20	41.20	110
115								49.00	40.60	49.00	46.00	43.20	40.20	39.20	115
120									39.00	47.00	43.80	41.40	38.40	37.40	120
125										44.00	41.80	39.60	36.60	35.80	125
130										41.60	39.80	37.80	34.80	34.00	130
135											38.20	36.20	33.20	32.40	135
140											36.80	34.60	31.60	30.80	140
145											34.80	33.20	30.20	29.40	145
150											29.80	32.00	28.80	28.00	150
155												30.80	27.40	26.60	155
160												29.40	25.80	25.20	160
165													24.60	24.00	165
170													23.40	22.80	170
175													22.40	21.80	175
180														20.80	180

THIS CHART IS ONLY A GUIDE AND SHOULD NOT BE USED TO OPERATE THE CRANE.

The individual crane's load chart, operating instructions and other instructional plates must be read and understood prior to operating the crane.

Load chart



Main boom


15,4 m - 60 m
 (51 ft - 197 ft)


95 000 kg
 (209,400 lb)


8,7 m x 8,5 m
 (28.5 ft x 27.8 ft)
 (100%)


360°



Pounds x 1000

Feet	50.5	66.6	82.6	87.3	98.7	114.8	123.9	130.9	139.9	147.0	163.0	179.1	192.4	196.9	Feet
10	494.00														10
15	392.00	390.00													15
20	320.00	322.00	314.00	256.00	300.00	262.00									20
25	272.00	274.00	274.00	226.00	264.00	254.00		184.00							25
30	232.00	234.00	236.00	200.00	238.00	226.00	170.00	168.00	124.00	147.00	126.00				30
35	199.00	201.00	201.00	178.00	204.00	202.00	153.00	154.00	113.00	136.00	120.00	105.00			35
40		172.00	171.00	160.00	174.00	173.00	139.00	143.00	103.00	125.00	113.00	102.00	88.00	84.00	40
45		150.00	151.00	146.00	151.00	149.00	125.00	132.00	95.00	115.00	105.00	97.00	88.00	84.00	45
50		131.00	133.00	127.00	132.00	131.00	114.00	122.00	87.00	106.00	98.00	91.00	84.00	82.00	50
55			118.00	113.00	117.00	116.00	104.00	114.00	81.00	97.00	91.00	85.00	80.00	78.00	55
60			106.00	100.00	105.00	104.00	95.00	106.00	75.00	90.00	85.00	79.00	75.00	73.00	60
65			95.00	90.00	95.00	93.00	87.00	95.00	70.00	84.00	79.00	74.00	70.00	69.00	65
70			87.00	81.00	86.00	85.00	80.00	87.00	65.00	78.00	75.00	70.00	66.00	65.00	70
75					79.00	79.00	72.00	79.00	61.00	73.00	70.00	65.00	62.00	61.00	75
80					72.00	74.00	67.00	73.00	58.00	69.00	67.00	62.00	59.00	57.00	80
85					67.00	69.00	63.00	67.00	54.00	65.00	63.00	58.00	55.00	54.00	85
90							60.00	62.00	52.00	62.00	60.00	55.00	52.00	51.00	90
95							55.00	57.00	49.00	58.00	57.00	52.00	50.00	48.00	95
100							50.00	52.00	47.00	53.00	53.00	50.00	47.00	46.00	100
105							46.00	48.00	45.00	49.00	49.00	47.00	44.00	43.40	105
110							42.40	46.00	42.40	45.00	45.00	45.00	42.20	41.20	110
115								44.00	40.60	42.00	41.60	42.40	40.20	39.20	115
120									39.00	40.00	38.60	39.20	37.80	37.20	120
125										37.20	35.80	36.40	35.00	34.40	125
130										34.80	33.20	33.80	32.40	32.00	130
135											31.00	31.60	30.00	29.60	135
140											28.80	29.40	27.80	27.40	140
145											26.80	27.40	25.80	25.40	145
150											25.00	25.60	24.00	23.40	150
155												23.80	22.20	21.80	155
160												22.20	20.60	20.20	160
165													19.00	18.60	165
170													17.60	17.20	170
175													16.40	16.00	175
180														14.80	180

THIS CHART IS ONLY A GUIDE AND SHOULD NOT BE USED TO OPERATE THE CRANE.

Grove GMK6400 The individual crane's load chart, operating instructions and other instructional plates must be read and understood prior to operating the crane.

Load chart

Main boom



15,4 m - 60 m
(51 ft - 197 ft)



75 000 kg
(165,300 lb)



8,7 m x 8,5 m
(28.5 ft x 27.8 ft)
(100%)



360°



Pounds x 1000

Feet	50.5	66.6	82.6	87.3	98.7	114.8	123.9	130.9	139.9	147.0	163.0	179.1	192.4	196.9	Feet	
10	484.00														10	
15	384.00	386.00													15	
20	314.00	316.00	314.00	256.00	300.00	262.00									20	
25	264.00	266.00	268.00	226.00	264.00	254.00		184.00							25	
30	218.00	220.00	220.00	200.00	224.00	220.00	170.00	168.00	124.00	147.00	126.00				30	
35	179.00	184.00	186.00	178.00	185.00	182.00	153.00	154.00	113.00	136.00	120.00	105.00			35	
40		156.00	157.00	152.00	157.00	154.00	139.00	143.00	103.00	125.00	113.00	102.00	88.00	84.00	40	
45		134.00	136.00	131.00	135.00	133.00	123.00	131.00	95.00	115.00	105.00	97.00	88.00	84.00	45	
50		118.00	119.00	114.00	119.00	116.00	106.00	115.00	87.00	106.00	98.00	91.00	84.00	82.00	50	
55			105.00	99.00	105.00	103.00	96.00	102.00	81.00	94.00	91.00	85.00	80.00	78.00	55	
60			93.00	88.00	92.00	96.00	88.00	91.00	75.00	88.00	85.00	79.00	75.00	73.00	60	
65			82.00	80.00	81.00	85.00	80.00	82.00	70.00	81.00	78.00	74.00	70.00	69.00	65	
70			74.00	75.00	74.00	76.00	71.00	73.00	65.00	73.00	71.00	69.00	66.00	65.00	70	
75					69.00	68.00	63.00	66.00	61.00	66.00	65.00	64.00	61.00	60.00	75	
80					62.00	61.00	57.00	62.00	58.00	61.00	59.00	59.00	56.00	55.00	80	
85					56.00	55.00	51.00	56.00	54.00	55.00	54.00	54.00	51.00	51.00	85	
90						50.00	46.00	51.00	52.00	50.00	50.00	49.00	47.00	46.00	90	
95						47.00	43.60	47.00	47.00	46.00	46.00	45.00	43.40	42.80	95	
100							41.60	42.80	43.60	41.80	42.00	41.00	39.60	39.00	100	
105							39.40	39.40	40.00	38.20	38.60	37.60	36.00	35.60	105	
110							37.20	36.20	37.00	35.20	35.40	34.40	32.80	32.40	110	
115								33.40	34.00	32.20	32.60	31.60	30.00	29.60	115	
120									31.40	29.80	30.00	29.00	27.40	27.00	120	
125										27.40	27.60	26.60	25.00	24.60	125	
130										25.20	25.40	23.20	22.80	22.40	130	
135											23.60	22.40	20.80	20.40	135	
140											21.80	20.60	19.00	18.60	140	
145												19.00	17.40	17.00	145	
150													17.40	15.40	150	
155														16.00	155	
160														14.60	160	
165															11.80	165
170															10.60	170
175															9.60	175
180															8.00	180

Load chart

Main boom


15,4 m - 60 m
 (51 ft - 197 ft)


55 000 kg
 (121,200 lb)


8,7 m x 8,5 m
 (28.5 ft x 27.8 ft)
 (100%)


360°



Pounds x 1000

Feet	50.5	66.6	82.6	87.3	98.7	114.8	123.9	130.9	139.9	147.0	163.0	179.1	192,4	196.9	Feet
10	476.00														10
15	376.00	378.00													15
20	308.00	308.00	310.00	256.00	300.00	262.00									20
25	246.00	248.00	248.00	226.00	244.00	226.00		177.00	184.00						25
30	194.00	199.00	201.00	191.00	191.00	179.00	166.00	161.00	168.00	147.00	126.00				30
35	159.00	164.00	165.00	154.00	157.00	147.00	137.00	144.00	144.00	133.00	120.00	105.00			35
40		134.00	137.00	128.00	131.00	130.00	122.00	122.00	122.00	118.00	113.00	102.00	88.00	84.00	40
45		111.00	113.00	111.00	112.00	112.00	104.00	105.00	105.00	102.00	99.00	95.00	88.00	84.00	45
50		93.00	95.00	98.00	99.00	97.00	91.00	95.00	94.00	91.00	87.00	85.00	81.00	80.00	50
55			81.00	84.00	86.00	84.00	80.00	84.00	84.00	80.00	79.00	75.00	72.00	71.00	55
60			72.00	73.00	74.00	73.00	69.00	74.00	74.00	72.00	70.00	67.00	64.00	63.00	60
65			63.00	64.00	65.00	64.00	63.00	65.00	65.00	64.00	63.00	60.00	57.00	56.00	65
70			56.00	57.00	58.00	57.00	59.00	57.00	58.00	57.00	57.00	54.00	52.00	51.00	70
75					51.00	52.00	53.00	51.00	51.00	50.00	51.00	49.00	47.00	46.00	75
80					46.00	46.00	47.00	45.00	46.00	45.00	45.00	44.00	42.20	41.40	80
85					41.40	41.60	43.40	40.80	41.20	40.20	40.60	39.40	38.00	37.40	85
90						37.60	38.40	36.80	37.20	36.20	36.40	35.40	33.80	33.40	90
95						34.00	34.80	33.20	33.60	32.60	32.80	31.80	30.20	29.80	95
100							31.60	30.00	30.40	29.40	29.60	28.60	27.00	26.60	100
105							28.60	27.20	27.60	26.40	26.80	25.80	24.20	23.80	105
110							26.00	24.60	25.00	24.00	24.20	23.20	21.60	21.20	110
115								22.40	22.80	21.60	21.80	20.80	19.40	18.80	115
120										19.60	19.80	18.80	17.20	16.80	120
125										17.60	17.80	16.80	15.20	14.80	125
130										16.00	16.20	15.00	13.60	13.20	130
135											14.60	13.40	12.00	11.60	135
140											13.20	12.00	10.40	10.00	140
145											10.20	10.60	9.00	8.60	145
150											9.00	9.40	7.80	7.40	150
155												8.20	6.60	6.20	155
160												7.20	5.60	5.20	160
165													4.60	4.20	165
170														3.60	170

THIS CHART IS ONLY A GUIDE AND SHOULD NOT BE USED TO OPERATE THE CRANE.

Load chart

Main boom



15,4 m - 60 m
(51 ft - 197 ft)



45 000 kg
(99,200 lb)



8,7 m x 8,5 m
(28.5 ft x 27.8 ft)
(100%)



360°









Pounds x 1000

Feet	50.5	66.6	82.6	87.3	98.7	114.8	123.9	130.9	139.9	147.0	163.0	179.1	192.4	196.9	Feet
10	470.00														10
15	372.00	374.00													15
20	300.00	302.00	302.00	256.00	292.00	262.00									20
25	232.00	234.00	234.00	219.00	218.00	201.00		184.00							25
30	183.00	188.00	181.00	169.00	170.00	159.00	152.00	154.00	124.00	142.00	126.00				30
35	138.00	146.00	147.00	137.00	139.00	136.00	128.00	128.00	113.00	123.00	118.00	105.00			35
40		116.00	119.00	117.00	118.00	115.00	107.00	111.00	103.00	106.00	102.00	98.00	88.00	84.00	40
45		95.00	99.00	100.00	102.00	98.00	92.00	96.00	95.00	91.00	89.00	85.00	81.00	79.00	45
50		79.00	83.00	84.00	86.00	85.00	83.00	84.00	83.00	80.00	78.00	74.00	71.00	69.00	50
55			71.00	72.00	73.00	74.00	75.00	73.00	73.00	70.00	69.00	66.00	62.00	61.00	55
60			61.00	62.00	64.00	64.00	65.00	63.00	64.00	62.00	61.00	58.00	55.00	54.00	60
65			53.00	54.00	55.00	56.00	57.00	55.00	56.00	54.00	55.00	52.00	49.00	48.00	65
70			47.00	47.00	49.00	49.00	50.00	49.00	50.00	48.00	48.00	47.00	44.00	43.20	70
75					43.20	43.40	44.00	43.00	43.80	42.00	42.40	41.20	39.40	38.60	75
80					38.40	38.60	39.40	38.20	39.00	37.20	37.60	36.40	35.00	34.40	80
85					34.20	34.40	35.20	34.00	34.80	33.00	33.40	32.20	30.80	30.20	85
90						30.80	31.60	30.40	31.20	29.40	29.60	28.60	27.20	26.60	90
95						27.60	28.40	27.20	28.00	26.20	26.40	25.40	23.80	23.40	95
100							25.40	24.40	25.00	23.40	23.60	22.60	21.00	20.60	100
105							23.00	21.80	22.60	20.80	21.00	20.00	18.40	18.00	105
110							20.60	19.60	20.20	18.60	18.80	17.80	16.20	15.80	110
115								17.60	18.20	16.40	16.80	15.60	14.20	13.80	115
120									16.40	14.60	14.80	13.80	12.40	11.80	120
125										13.00	13.20	12.20	10.60	10.20	125
130											11.40	11.60	10.60	9.00	130
135												10.20	9.20	7.60	135
140													9.00	7.80	140
145														6.20	145
150															150
155															155
160															160

Load chart

Main boom

															
		15,4 m - 60 m (51 ft - 197 ft)		35 000 kg (77,100 lb)		8,7 m x 8,5 m (28.5 ft x 27.8 ft) (100%)		360°							
		  Pounds x 1000													
Feet	50.5	66.6	82.6	87.3	98.7	114.8	123.9	130.9	139.9	147.0	163.0	179.1	192,4	196.9	Feet
10	466.00														10
15	368.00	370.00													15
20	288.00	292.00	276.00	256.00	256.00	232.00	157.00								20
25	217.00	216.00	204.00	190.00	189.00	175.00	138.00	168.00							25
30	153.00	161.00	157.00	152.00	148.00	137.00	134.00	135.00	124.00	130.00	122.00				30
35	115.00	122.00	126.00	123.00	125.00	118.00	110.00	114.00	112.00	108.00	102.00	99.00			35
40		96.00	101.00	102.00	104.00	100.00	99.00	96.00	95.00	91.00	86.00	84.00	79.00	78.00	40
45		78.00	82.00	84.00	85.00	86.00	86.00	82.00	81.00	78.00	74.00	72.00	68.00	67.00	45
50		65.00	69.00	70.00	71.00	72.00	73.00	71.00	71.00	68.00	64.00	63.00	59.00	58.00	50
55			58.00	59.00	60.00	61.00	62.00	60.00	61.00	59.00	56.00	55.00	52.00	51.00	55
60			49.00	50.00	52.00	52.00	53.00	52.00	53.00	51.00	49.00	48.00	45.00	44.00	60
65			42.40	43.40	45.00	45.00	46.00	45.00	46.00	43.80	42.20	42.60	39.60	38.80	65
70			36.80	37.80	39.00	39.40	40.20	39.00	39.80	38.00	36.40	37.20	35.00	34.20	70
75					34.20	34.40	35.40	34.00	34.80	33.00	31.40	32.20	30.80	30.20	75
80					30.00	30.20	31.20	29.80	30.60	28.80	27.40	28.20	26.60	26.20	80
85					26.40	26.60	27.40	26.20	27.00	25.20	23.80	24.40	23.00	22.40	85
90					23.40	24.20	23.00	23.80	22.00	20.60	21.40	19.80	19.40		90
95					20.60	21.40	20.40	21.00	19.20	17.80	18.60	17.00	16.60		95
100						19.00	17.80	18.60	16.80	15.40	16.00	14.60	14.20		100
105						16.80	15.60	16.40	14.60	13.20	13.80	12.40	12.00		105
110						14.80	13.80	14.40	12.60	11.20	12.00	10.40	10.00		110
115							12.00	12.60	11.00	9.40	10.20	8.60	8.20		115
120								11.20	9.40	7.80	8.60	7.00	6.60		120
125									7.80	6.40	7.00	5.60	5.20		125
130										5.20	5.80	4.20	3.80		130
135										4.00	4.60				135

THIS CHART IS ONLY A GUIDE AND SHOULD NOT BE USED TO OPERATE THE CRANE.

Load chart



Main boom


15,4 m - 60 m
 (51 ft - 197 ft)


25 000 kg
 (55,100 lb)


8,7 m x 8,5 m
 (28.5 ft x 27.8 ft)
 (100%)


360°



Pounds x 1000



Feet	50.5	66.6	82.6	87.3	98.7	114.8	123.9	130.9	139.9	147.0	163.0	179.1	192.4	196.9	Feet
10	462.00														10
15	364.00	366.00													15
20	270.00	258.00	242.00	224.00	220.00	201.00	157.00								20
25	182.00	186.00	175.00	162.00	163.00	152.00	138.00	149.00							25
30	125.00	133.00	136.00	136.00	131.00	125.00	124.00	118.00	116.00	111.00	107.00				30
35	92.00	100.00	105.00	106.00	107.00	102.00	102.00	97.00	96.00	92.00	89.00	84.00			35
40		78.00	82.00	84.00	85.00	85.00	85.00	81.00	80.00	77.00	74.00	70.00	65.00	64.00	40
45		62.00	66.00	68.00	69.00	70.00	71.00	68.00	68.00	65.00	63.00	59.00	55.00	54.00	45
50		51.00	55.00	56.00	57.00	58.00	59.00	57.00	58.00	55.00	54.00	51.00	47.00	46.00	50
55			46.00	47.00	48.00	48.00	49.00	48.00	49.00	47.00	47.00	43.80	40.60	39.60	55
60			38.40	39.40	40.80	41.00	42.20	40.60	41.60	39.60	40.00	38.00	35.00	34.20	60
65			27.60	33.40	34.80	35.00	36.00	34.60	35.60	33.60	34.00	33.00	30.40	29.60	65
70				28.60	29.80	30.20	31.00	29.80	30.60	28.80	29.00	28.00	26.40	25.60	70
75					25.60	26.00	26.80	25.60	26.40	24.60	24.80	23.80	22.20	21.80	75
80					22.20	22.40	23.20	22.00	22.80	21.00	21.40	20.20	18.60	18.20	80
85					19.00	19.20	20.20	18.80	19.60	17.80	18.20	17.20	15.60	15.20	85
90						16.60	17.40	16.20	17.00	15.20	15.60	14.40	13.00	12.40	90
95						14.20	15.00	13.80	14.60	12.80	13.20	12.00	10.60	10.20	95
100							13.00	11.80	12.60	10.80	11.00	10.00	8.40	8.00	100
105							11.00	10.00	10.60	8.80	9.20	8.00	6.60	6.20	105
110							9.40	8.20	9.00	7.20	7.40	6.40	5.00	4.40	110
115								6.80	7.40	5.60	6.00	5.00			115
120									6.20	4.40	4.60	3.60			120


15,4 m - 60 m
 (51 ft - 197 ft)


15 000 kg
 (33,000 lb)


8,7 m x 8,5 m
 (28.5 ft x 27.8 ft)
 (100%)

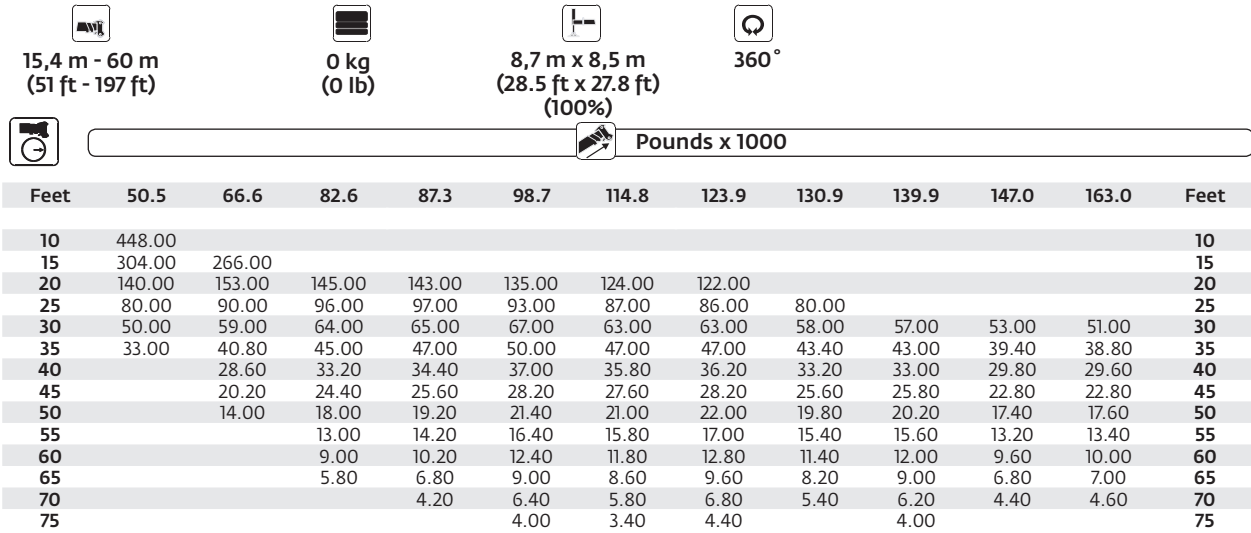

360°



Pounds x 1000

Feet	50.5	66.6	82.6	87.3	98.7	114.8	123.9	130.9	139.9	147.0	163.0	179.1	192.4	196.9	Feet
10	456.00														10
15	358.00	360.00													15
20	234.00	220.00	203.00	195.00	185.00	167.00	157.00								20
25	142.00	152.00	148.00	147.00	141.00	133.00	131.00	129.00							25
30	95.00	104.00	109.00	111.00	109.00	104.00	103.00	102.00	95.00	91.00	87.00				30
35	69.00	77.00	81.00	83.00	84.00	83.00	82.00	81.00	77.00	73.00	70.00	66.00			35
40		58.00	63.00	64.00	66.00	66.00	67.00	67.00	63.00	60.00	58.00	54.00	50.00	49.00	40
45		46.00	50.00	51.00	53.00	53.00	54.00	54.00	53.00	50.00	48.00	45.00	41.40	40.40	45
50		36.20	40.20	41.40	42.80	43.20	44.00	44.00	43.80	41.80	40.80	37.80	34.40	33.40	50
55			32.80	33.80	35.20	35.60	36.60	36.60	36.20	34.20	34.40	31.60	28.60	27.80	55
60			26.80	27.80	29.20	29.60	30.60	30.60	30.00	28.20	28.60	26.60	23.80	23.00	60
65			22.00	23.00	24.40	24.60	25.60	25.60	25.20	23.20	23.60	22.40	19.80	19.00	65
70			18.00	19.00	20.20	20.60	21.60	21.60	21.00	19.20	19.60	18.40	16.20	15.60	70
75					16.80	17.00	18.00	18.00	17.60	15.80	16.00	15.00	13.40	12.60	75
80					14.00	14.20	15.00	15.00	14.60	12.80	13.20	12.00	10.60	10.00	80
85						11.40	11.60	12.40	12.40	12.00	10.20	9.60	8.00	7.60	85
90							9.40	10.20	10.20	9.80	8.00	8.40	7.40	5.80	90
95							7.40	8.20	8.20	7.80	6.00	6.40	5.40	3.80	95
100								6.60	6.60	6.20	4.40	4.60	3.60		100
105								5.00	5.00	4.60					105
110								3.60	3.60						110

Load chart

Main boom

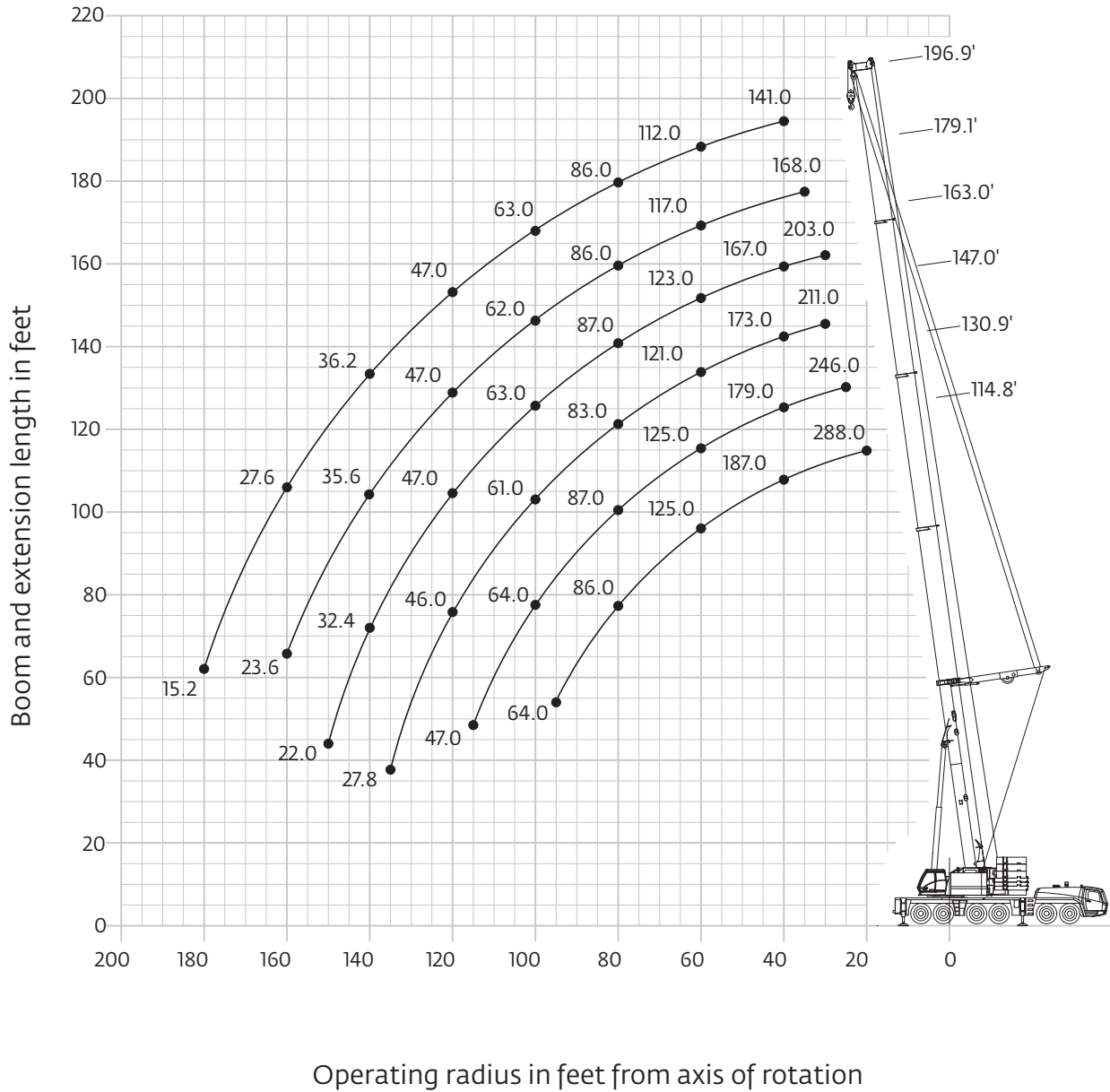


THIS CHART IS ONLY A GUIDE AND SHOULD NOT BE USED TO OPERATE THE CRANE.

Working range

Main boom and MegaWingLift™

34,9 m - 60 m (51 ft - 197 ft) main boom and MegaWingLift™




Hook heights shown in the working diagram do not consider loaded boom deflection.

Load chart

Main boom and MegaWingLift™


15,4 m - 60 m
(51 ft - 197 ft)


135 000 kg
(297,600 lb)


8,7 m x 8,5 m
(28.5 ft x 27.8 ft)
(100%)


360°



Pounds x 1000

Feet	114.8	130.9	147.0	163.0	179.1	196.9	Feet
25		240.00					25
30	226.00	212.00	206.00	203.00			30
35	204.00	196.00	190.00	184.00	168.00		35
40	187.00	179.00	172.00	167.00	161.00	141.00	40
45	168.00	165.00	158.00	153.00	147.00	132.00	45
50	151.00	152.00	147.00	141.00	135.00	125.00	50
55	137.00	138.00	137.00	131.00	126.00	118.00	55
60	125.00	125.00	125.00	123.00	117.00	112.00	60
65	113.00	114.00	114.00	113.00	110.00	106.00	65
70	103.00	104.00	104.00	104.00	103.00	100.00	70
75	94.00	95.00	95.00	95.00	94.00	94.00	75
80	86.00	87.00	87.00	87.00	86.00	86.00	80
85	79.00	80.00	80.00	80.00	79.00	79.00	85
90	73.00	74.00	74.00	73.00	73.00	73.00	90
95	64.00	68.00	68.00	68.00	67.00	68.00	95
100		64.00	63.00	63.00	62.00	63.00	100
105		59.00	59.00	58.00	58.00	58.00	105
110		51.00	55.00	54.00	54.00	54.00	110
115		47.00	51.00	51.00	50.00	50.00	115
120			47.00	47.00	47.00	47.00	120
125			41.40	44.00	43.40	44.00	125
130			38.00	41.60	40.60	41.20	130
135				37.60	38.00	38.60	135
140				32.40	35.60	36.20	140
145				30.60	33.20	33.80	145
150				22.00	29.20	31.80	150
155					25.80	29.80	155
160					23.60	27.60	160
165						24.40	165
170						20.80	170
175						20.40	175
180						15.20	180

THIS CHART IS ONLY A GUIDE AND SHOULD NOT BE USED TO OPERATE THE CRANE.

Load chart

Main boom and MegaWingLift™



15,4 m - 60 m
(51 ft - 197 ft)



115 000 kg
(253,500 lb)



8,7 m x 8,5 m
(28.5 ft x 27.8 ft)
(100%)



360°



Pounds x 1000

Feet	114.8	130.9	147.0	163.0	179.1	196.9	Feet
20	288.00						20
25	254.00	246.00					25
30	226.00	218.00	211.00	203.00			30
35	204.00	196.00	190.00	184.00	168.00		35
40	185.00	179.00	172.00	167.00	161.00	141.00	40
45	164.00	165.00	158.00	153.00	147.00	132.00	45
50	145.00	146.00	146.00	141.00	135.00	125.00	50
55	129.00	130.00	130.00	130.00	126.00	118.00	55
60	116.00	116.00	116.00	116.00	115.00	112.00	60
65	104.00	105.00	105.00	104.00	103.00	104.00	65
70	94.00	95.00	95.00	94.00	93.00	94.00	70
75	85.00	86.00	86.00	86.00	85.00	85.00	75
80	78.00	79.00	79.00	78.00	77.00	78.00	80
85	72.00	72.00	72.00	72.00	71.00	72.00	85
90	66.00	67.00	66.00	66.00	65.00	66.00	90
95	61.00	61.00	61.00	61.00	60.00	61.00	95
100		57.00	57.00	56.00	55.00	56.00	100
105		53.00	53.00	52.00	51.00	52.00	105
110		49.00	49.00	48.00	48.00	48.00	110
115		46.00	45.00	45.00	44.00	45.00	115
120			42.40	42.00	41.00	41.60	120
125			39.60	39.00	38.20	38.80	125
130			37.00	36.40	35.60	36.20	130
135				34.00	33.20	33.60	135
140				31.80	30.80	31.40	140
145				29.80	28.60	29.40	145
150				22.00	26.40	27.00	150
155					24.20	25.00	155
160					22.20	23.00	160
165						21.00	165
170						19.40	170
175						17.80	175
180						15.20	180

Load chart

Main boom and MegaWingLift™



15,4 m - 60 m
(51 ft - 197 ft)



95 000 kg
(209,400 lb)



8,7 m x 8,5 m
(28.5 ft x 27.8 ft)
(100%)



360°



Pounds x 1000

Feet	114.8	130.9	147.0	163.0	179.1	196.9	Feet
20	292.00						20
25	254.00	246.00					25
30	226.00	218.00	211.00	203.00			30
35	204.00	196.00	190.00	184.00	168.00		35
40	176.00	176.00	172.00	167.00	161.00	141.00	40
45	152.00	153.00	153.00	151.00	145.00	132.00	45
50	133.00	133.00	133.00	132.00	127.00	124.00	50
55	117.00	118.00	118.00	117.00	113.00	111.00	55
60	104.00	105.00	105.00	104.00	101.00	99.00	60
65	93.00	94.00	94.00	94.00	91.00	89.00	65
70	84.00	85.00	85.00	85.00	82.00	81.00	70
75	76.00	77.00	77.00	77.00	75.00	74.00	75
80	70.00	70.00	70.00	70.00	68.00	67.00	80
85	64.00	64.00	64.00	64.00	62.00	61.00	85
90	58.00	59.00	59.00	59.00	57.00	56.00	90
95	54.00	54.00	54.00	54.00	52.00	52.00	95
100		50.00	50.00	49.00	48.00	48.00	100
105		46.00	46.00	45.00	43.80	43.80	105
110		41.80	41.60	41.00	39.80	40.40	110
115		38.20	38.00	37.40	36.20	37.00	115
120			34.60	34.20	33.00	33.80	120
125			31.60	31.20	30.00	30.80	125
130			29.00	28.40	27.20	28.00	130
135				25.80	24.60	25.40	135
140				23.60	22.40	23.20	140
145				21.40	20.20	21.00	145
150				19.66	18.20	19.00	150
155					16.40	17.00	155
160					14.80	15.40	160
165						13.80	165
170						12.20	170
175						10.80	175
180						9.60	180

THIS CHART IS ONLY A GUIDE AND SHOULD NOT BE USED TO OPERATE THE CRANE.

Grove GMK6400 The individual crane's load chart, operating instructions and other instructional plates must be read and understood prior to operating the crane.

Load chart

Main boom and MegaWingLift™



15,4 m - 60 m
(51 ft - 197 ft)



75 000 kg
(165,300 lb)



8,7 m x 8,5 m
(28.5 ft x 27.8 ft)
(100%)



360°



Pounds x 1000

Feet	114.8	130.9	147.0	163.0	179.1	196.9	Feet
20	292.00						20
25	254.00	246.00					25
30	226.00	218.00	211.00	199.00			30
35	189.00	186.00	178.00	170.00	162.00		35
40	159.00	157.00	151.00	145.00	139.00	135.00	40
45	136.00	135.00	130.00	125.00	120.00	117.00	45
50	119.00	118.00	114.00	110.00	105.00	103.00	50
55	105.00	104.00	100.00	97.00	93.00	91.00	55
60	93.00	92.00	89.00	86.00	83.00	81.00	60
65	83.00	82.00	80.00	77.00	74.00	72.00	65
70	73.00	74.00	72.00	69.00	66.00	65.00	70
75	64.00	65.00	65.00	62.00	60.00	59.00	75
80	57.00	58.00	58.00	56.00	54.00	53.00	80
85	51.00	52.00	52.00	51.00	49.00	48.00	85
90	46.00	47.00	46.00	46.00	44.00	43.80	90
95	40.80	41.80	41.60	41.00	40.00	39.80	95
100		37.60	37.40	36.80	35.80	36.20	100
105		33.80	33.60	33.00	31.80	32.80	105
110		30.40	30.20	29.60	28.40	29.40	110
115		27.40	27.20	26.60	25.40	26.20	115
120			24.40	23.80	22.60	23.40	120
125			21.80	21.20	20.00	20.80	125
130			19.60	19.00	17.80	18.60	130
135				16.80	15.60	16.40	135
140				14.80	13.60	14.40	140
145				13.00	11.80	12.60	145
150				11.40	10.20	10.80	150
155					8.60	9.20	155
160					7.20	7.80	160
165						6.40	165
170						5.20	170
175						4.00	175

Load chart

Main boom and MegaWingLift™



15,4 m - 60 m
(51 ft - 197 ft)



55 000 kg
(121,200 lb)



8,7 m x 8,5 m
(28.5 ft x 27.8 ft)
(100%)



360°



Pounds x 1000

Feet	114.8	130.9	147.0	163.0	179.1	196.9	Feet
20	292.00						20
25	244.00	230.00					25
30	192.00	184.00	175.00	166.00			30
35	157.00	152.00	145.00	138.00	132.00		35
40	131.00	127.00	122.00	117.00	112.00	108.00	40
45	112.00	109.00	105.00	101.00	96.00	93.00	45
50	97.00	94.00	91.00	87.00	83.00	81.00	50
55	84.00	82.00	79.00	76.00	73.00	71.00	55
60	72.00	72.00	70.00	67.00	64.00	63.00	60
65	62.00	63.00	62.00	60.00	57.00	56.00	65
70	54.00	55.00	55.00	53.00	50.00	50.00	70
75	47.00	48.00	48.00	47.00	45.00	44.00	75
80	41.00	42.20	42.00	41.60	39.80	39.40	80
85	36.00	37.00	36.80	36.40	35.20	35.20	85
90	31.40	32.60	32.40	31.80	30.80	31.60	90
95	27.60	29.60	28.40	27.80	26.80	27.60	95
100		25.00	25.00	24.40	23.20	24.20	100
105		22.00	21.80	21.20	20.00	21.00	105
110		19.20	19.00	18.40	17.20	18.20	110
115		16.60	16.40	15.80	14.80	15.60	115
120			14.20	13.60	12.40	13.20	120
125			12.00	11.60	10.40	11.20	125
130			10.20	9.60	8.40	9.20	130
135				7.80	6.60	7.40	135
140				6.20	5.00	5.80	140
145				4.80	3.60	4.20	145



15,4 m - 60 m
(51 ft - 197 ft)



45 000 kg
(99,200 lb)



8,7 m x 8,5 m
(28.5 ft x 27.8 ft)
(100%)



360°



Pounds x 1000

Feet	114.8	130.9	147.0	163.0	179.1	196.9	Feet
20	292.00						20
25	219.00	208.00					25
30	172.00	165.00	157.00	149.00			30
35	140.00	135.00	129.00	123.00	117.00		35
40	117.00	113.00	108.00	104.00	98.00	96.00	40
45	99.00	96.00	93.00	89.00	84.00	82.00	45
50	85.00	83.00	80.00	76.00	73.00	71.00	50
55	72.00	72.00	69.00	66.00	63.00	62.00	55
60	61.00	62.00	61.00	58.00	55.00	54.00	60
65	52.00	53.00	53.00	51.00	48.00	48.00	65
70	45.00	46.00	46.00	45.00	42.60	42.00	70
75	38.60	39.80	39.60	39.20	37.60	37.20	75
80	33.40	34.40	34.20	33.80	32.60	32.80	80
85	28.80	29.80	29.60	29.20	28.00	28.80	85
90	24.80	25.80	25.60	25.00	24.00	24.80	90
95	21.20	22.20	22.00	21.60	20.40	21.20	95
100		19.00	19.00	18.40	17.20	18.00	100
105		16.20	16.00	15.60	14.40	15.20	105
110		13.80	13.60	13.00	11.80	12.80	110
115		11.60	11.20	10.80	9.60	10.80	115
120			9.20	8.60	7.60	8.40	120
125			7.40	6.80	5.60	6.40	125
130			5.60	5.00	4.00	4.60	130
135				3.60			135

THIS CHART IS ONLY A GUIDE AND SHOULD NOT BE USED TO OPERATE THE CRANE.

Grove GMK6400 The individual crane's load chart, operating instructions and other instructional plates must be read and understood prior to operating the crane.

Load chart

Main boom and MegaWingLift™



15,4 m - 60 m
(51 ft - 197 ft)



35 000 kg
(77,100 lb)



8,7 m x 8,5 m
(28.5 ft x 27.8 ft)
(100%)



360°



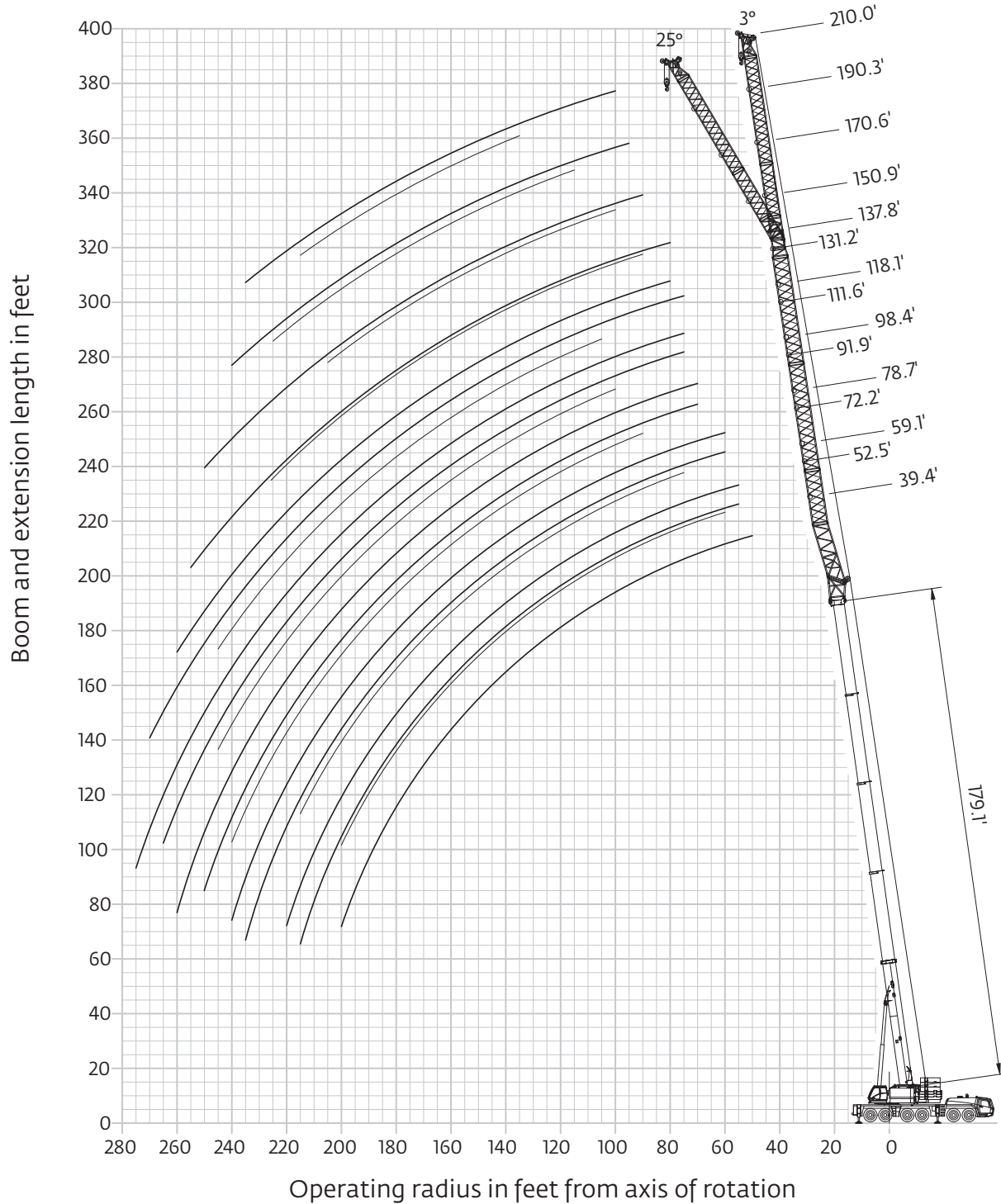
Pounds x 1000

Feet	114.8	130.9	147.0	163.0	179.1	196.9	Feet
20	258.00						20
25	192.00	182.00					25
30	150.00	144.00	137.00	129.00			30
35	122.00	117.00	112.00	107.00	101.00		35
40	101.00	98.00	93.00	89.00	84.00	82.00	40
45	85.00	83.00	79.00	76.00	72.00	70.00	45
50	71.00	71.00	68.00	65.00	61.00	60.00	50
55	59.00	60.00	59.00	56.00	53.00	52.00	55
60	49.00	51.00	51.00	48.00	46.00	45.00	60
65	41.60	42.80	42.60	42.20	39.60	39.00	65
70	35.20	36.20	36.20	35.60	34.20	33.80	70
75	29.60	30.80	30.60	30.20	29.00	29.40	75
80	25.00	26.00	26.00	25.40	24.20	25.20	80
85	21.00	22.00	21.80	21.40	20.20	21.20	85
90	17.40	18.40	18.40	17.80	16.60	17.60	90
95	14.20	15.40	15.20	14.60	13.60	14.40	95
100		12.60	12.40	12.00	10.80	11.60	100
105		10.20	10.00	9.40	8.20	9.20	105
110		8.00	7.80	7.20	6.00	6.80	110
115		6.00	5.80	5.20	4.00	4.80	115
120			4.00				120

Working range

Lattice extension

Main boom and lattice extension



THIS CHART IS ONLY A GUIDE AND SHOULD NOT BE USED TO OPERATE THE CRANE.

Grove GMK6400 The individual crane's load chart, operating instructions and other instructional plates must be read and understood prior to operating the crane.

Load chart

Lattice extension



49,69 m
(163 ft)
80°



12 m - 64 m
(39.4 ft - 210.0 ft)
3°



135 000 kg
(297,600 lb)



8,7 m x 8,5 m
(28.5 ft x 27.9 ft)
(100%)



360°





Pounds x 1000


Feet	39.4	52.5	72.2	91.9	111.6	131.2	150.9	170.6	190.3	210.0	Feet
45	76.00										45
50	74.00	66.00									50
55	71.00	64.00	53.00								55
60	67.00	62.00	53.00	40.60							60
65	63.00	59.00	52.00	39.40							65
70	59.00	55.00	50.00	38.20	32.20						70
75	56.00	52.00	48.00	37.20	31.20	26.00	22.80				75
80	52.00	49.00	45.00	36.00	30.20	25.20	22.00	18.60			80
85	49.00	46.00	43.60	35.00	29.40	24.40	21.40	18.00			85
90	46.00	43.00	41.40	34.00	28.40	23.60	20.60	17.40	15.00		90
95	43.20	40.60	39.40	33.00	27.40	23.00	20.00	16.80	14.40	12.60	95
100	40.80	38.20	37.20	32.20	26.40	22.20	19.40	16.20	14.00	12.20	100
105	38.60	36.00	35.20	31.20	25.60	21.60	18.80	15.80	13.40	11.80	105
110	36.40	33.80	33.00	30.40	24.80	21.00	18.20	15.20	13.00	11.40	110
115	34.40	31.80	31.20	29.20	24.20	20.40	17.60	14.60	12.60	11.00	115
120	32.60	30.00	29.40	28.00	23.60	19.80	17.00	14.20	12.00	10.60	120
125	30.80	28.20	27.60	26.60	23.00	19.20	16.40	13.60	11.60	10.00	125
130	29.00	26.20	25.80	25.40	22.20	18.60	15.80	13.20	11.20	9.80	130
135	27.40	24.80	24.40	24.20	21.80	18.20	15.40	12.80	10.80	9.40	135
140	25.80	23.40	23.20	23.00	21.20	17.80	15.00	12.40	10.40	9.00	140
145	24.20	22.00	21.80	21.80	20.60	17.20	14.40	11.80	10.00	8.60	145
150	22.80	20.60	20.60	20.40	20.00	16.80	14.00	11.40	9.60	8.20	150
155	21.40	19.60	19.40	19.40	19.20	16.40	13.60	11.20	9.40	8.00	155
160	20.20	18.40	18.40	18.40	18.20	16.00	13.20	10.80	9.00	7.60	160
165	19.00	17.20	17.20	17.40	17.20	15.60	12.80	10.40	8.60	7.40	165
170	18.00	16.20	16.20	16.40	16.20	15.20	12.40	10.00	8.20	7.00	170
175	17.00	15.40	15.40	15.60	15.40	14.60	12.00	9.60	8.00	6.80	175
180	16.00	14.40	14.60	14.60	14.60	14.00	11.60	9.40	7.80	6.40	180
185	15.00	13.40	13.80	13.80	13.80	13.40	11.40	9.00	7.40	6.20	185
190	11.00	12.60	12.80	13.00	13.00	12.80	11.00	8.80	7.20	6.00	190
195		11.60	12.00	12.20	12.20	12.20	10.60	8.40	6.80	5.80	195
200			11.20	11.40	11.40	11.60	10.20	8.20	6.60	5.40	200
205			10.40	10.80	10.80	11.00	9.60	8.00	6.40	5.20	205
210			9.80	10.20	10.20	10.20	9.00	7.60	6.20	5.00	210
215			9.00	9.40	9.40	9.60	8.40	7.40	6.00	4.80	215
220			5.40	8.80	8.80	9.00	7.80	7.00	5.60	4.60	220
225				8.20	8.20	8.40	7.20	6.60	5.40	4.40	225
230				7.60	7.80	7.80	6.60	6.00	5.20	4.20	230
235				6.60	7.20	7.40	6.20	5.60	5.00	4.00	235
240					6.60	6.80	5.80	5.00	4.80	3.80	240
245					6.00	6.40	5.20	4.60	4.40	3.60	245
250					5.60	5.80	4.80	4.00	4.00		250
255					3.80	5.40	4.20	3.60	3.60		255
260						4.80	3.80				260
265						4.40					265
270						4.00					270


Load chart


Lattice extension



 **49,69 m**
(163 ft)
80°

 **16 m - 64 m**
(52.5 ft - 210.0 ft)
25°

 **135 000 kg**
(297,600 lb)

 **8,7 m x 8,5 m**
(28.5 ft x 27.9 ft)
(100%)

 **360°**

  **Pounds x 1000**

Feet	52.5	72.2	91.9	111.6	131.2	150.9	170.6	190.3	210.0	Feet
55	57.00									55
60	54.00									60
65	51.00									65
70	49.00	41.80								70
75	46.00	39.80								75
80	43.60	38.00	30.20			20.40				80
85	41.00	36.20	29.60			20.40				85
90	38.40	34.60	29.20			20.20				90
95	35.80	33.00	28.40	21.20		19.60	15.60			95
100	33.20	31.20	27.40	20.60	16.80	19.00	15.60			100
105	31.20	29.80	26.20	20.20	16.20	18.40	15.20	12.00		105
110	29.20	28.20	25.20	20.00	15.80	17.80	14.80	12.00		110
115	27.20	26.60	24.20	19.60	15.60	17.20	14.20	12.00		115
120	25.20	25.00	23.20	19.20	15.20	16.80	13.80	11.60	9.20	120
125	23.40	23.60	22.40	18.80	14.80	16.20	13.40	11.20	9.20	125
130	22.20	22.20	21.40	18.40	14.40	15.60	13.00	10.80	9.20	130
135	20.80	20.80	20.40	17.80	14.20	15.00	12.60	10.40	9.00	135
140	19.40	19.40	19.40	17.40	14.00	14.40	12.20	5.00	8.60	140
145	18.00	18.20	18.40	16.80	13.60	13.60	11.60	9.80	8.40	145
150	16.80	17.20	17.40	16.40	13.40	13.00	11.20	9.60	8.00	150
155	15.80	16.20	16.40	15.80	13.00	12.40	10.80	9.20	7.80	155
160	14.80	15.00	15.40	15.00	12.80	11.80	10.40	8.80	7.60	160
165	13.80	14.00	14.40	14.20	12.60	11.20	10.00	8.60	7.40	165
170	12.80	13.00	13.60	13.60	12.40	10.60	9.60	8.20	7.00	170
175	11.80	12.20	12.80	12.80	12.20	10.00	9.20	8.00	6.80	175
180	11.00	11.40	12.00	12.00	12.00	9.40	8.80	7.80	6.60	180
185	10.20	10.60	11.00	11.40	11.80	9.00	8.20	7.40	6.20	185
190	9.40	9.80	10.20	10.60	11.20	8.40	7.80	7.20	6.00	190
195		9.00	9.60	10.00	10.60	7.80	7.40	6.80	5.80	195
200		8.40	9.00	9.20	10.20	7.20	7.00	6.40	5.40	200
205			8.20	8.40	9.60	6.60	6.60	6.00	5.20	205
210			7.60	7.80	9.00	6.00	6.00	5.80	5.00	210
215			6.80	7.20	8.60	5.60	5.60	5.40	4.60	215
220			6.20	6.60	8.00	5.00	5.20	5.00	4.40	220
225				6.00	7.40	4.40	4.60	4.60	4.00	225
230				5.40	6.80	3.80	4.20	4.40	3.80	230
235				4.80	6.20		3.60	3.80		235
240				4.40	5.60					240
245					5.20					245

THIS CHART IS ONLY A GUIDE AND SHOULD NOT BE USED TO OPERATE THE CRANE.

Grove GMK6400 The individual crane's load chart, operating instructions and other instructional plates must be read and understood prior to operating the crane.

Load chart

Lattice extension



54,59 m
(179.1 ft)
80°



12 m - 64 m
(39.4 ft - 210.0 ft)
3°



135 000 kg
(297,600 lb)



8,7 m x 8,5 m
(28.5 ft x 27.9 ft)
(100%)



360°



Pounds x 1000

Feet	39.4	52.5	72.2	91.9	111.6	131.2	150.9	170.6	190.3	210.0	Feet
50	62.00										50
55	61.00	53.00									55
60	59.00	53.00	42.80								60
65	57.00	51.00	42.80								65
70	54.00	49.00	42.80	35.80							70
75	52.00	47.00	41.40	35.00	29.80	24.40					75
80	49.00	45.00	39.80	34.20	29.20	23.80	19.80				80
85	46.00	42.80	38.20	33.60	28.40	23.20	19.80				85
90	43.80	40.80	36.60	32.80	27.40	22.60	19.20	15.80			90
95	41.40	38.60	35.20	31.60	26.60	22.00	18.80	15.60	13.20		95
100	39.00	36.40	33.60	30.40	26.00	21.40	18.40	15.20	12.80	11.00	100
105	37.00	34.40	32.20	29.20	25.40	21.00	17.80	14.80	12.40	10.80	105
110	34.80	32.40	30.80	28.00	24.80	20.40	17.40	14.40	12.20	10.40	110
115	33.00	30.60	29.20	26.80	24.00	20.00	16.80	14.00	11.80	10.20	115
120	31.00	28.80	27.80	25.60	23.00	19.40	16.40	13.60	11.40	9.80	120
125	29.20	27.00	26.20	24.20	22.20	19.00	16.00	13.20	11.00	9.40	125
130	27.40	25.20	24.60	23.00	21.20	18.40	15.40	12.80	10.80	9.20	130
135	26.00	23.80	23.40	22.00	20.40	18.00	15.00	12.40	10.40	8.80	135
140	24.60	22.40	22.20	21.00	19.60	17.60	14.60	12.00	10.00	8.60	140
145	23.20	21.20	21.00	20.20	18.80	17.00	14.20	11.60	9.60	8.20	145
150	22.00	20.00	19.60	19.20	17.80	16.60	13.80	11.20	9.40	8.00	150
155	20.80	18.80	18.60	18.40	17.20	16.00	13.20	11.00	9.00	7.60	155
160	19.60	17.80	17.60	17.40	16.40	15.20	12.80	10.60	8.80	7.40	160
165	18.60	16.60	16.60	16.60	15.80	14.60	12.20	10.20	8.40	7.20	165
170	17.60	15.60	15.60	15.60	15.00	14.00	11.60	10.00	8.20	6.80	170
175	16.60	14.80	14.80	14.80	14.40	13.40	11.20	9.40	8.00	6.60	175
180	15.80	14.00	14.00	14.00	13.60	12.80	10.60	9.00	7.60	6.40	180
185	14.80	13.00	13.20	13.20	13.00	12.40	10.00	8.60	7.40	6.20	185
190	14.00	12.20	12.20	12.40	12.20	11.80	9.60	8.20	7.20	6.00	190
195	13.20	11.40	11.40	11.60	11.60	11.20	9.00	7.80	6.80	5.60	195
200	12.20	10.60	10.80	11.00	11.00	10.80	8.60	7.20	6.40	5.40	200
205		9.80	10.00	10.20	10.20	10.20	8.20	6.80	6.00	5.20	205
210		9.20	9.40	9.60	9.60	9.60	7.80	6.40	5.80	5.00	210
215		6.60	8.80	9.00	9.00	9.00	7.40	6.00	5.40	4.80	215
220			8.00	8.40	8.40	8.40	7.00	5.60	5.00	4.60	220
225			7.40	7.80	7.80	7.80	6.60	5.20	4.60	4.20	225
230			6.80	7.20	7.20	7.40	6.20	5.00	4.40	4.00	230
235			3.60	6.60	6.80	6.80	5.80	4.60	4.00	3.60	235
240				6.00	6.20	6.40	5.20	4.20	3.60		240
245				5.60	5.80	5.80	4.80	4.00			245
250				4.60	5.20	5.40	4.40	3.40			250
255					4.80	4.80	3.80				255
260					4.20	4.40					260
265					3.80	4.00					265
270						3.60					270

Load chart

Lattice extension



54,59 m
(179.1 ft)
80°



16 m - 64 m
(52.5 ft - 210.0 ft)
25°



135 000 kg
(297,600 lb)



8,7 m x 8,5 m
(28.5 ft x 27.9 ft)
(100%)



360°



Pounds x 1000

Feet	52.5	72.2	91.9	111.6	131.2	150.9	170.6	190.3	210.0	Feet
60	46.00									60
65	44.00									65
70	42.00									70
75	40.00	35.40								75
80	38.00	33.80								80
85	36.20	32.40								85
90	34.20	30.80	27.60			18.20				90
95	32.40	29.20	26.00			18.20				95
100	30.40	27.60	24.80	20.20		17.80	13.80			100
105	28.60	26.20	23.80	20.00	15.20	17.20	13.80			105
110	26.60	25.00	22.80	19.60	15.20	16.60	13.80			110
115	25.20	24.00	21.80	19.40	15.20	16.00	13.60	10.60		115
120	23.60	22.80	20.80	18.80	15.00	15.20	13.20	10.60		120
125	22.00	21.80	19.80	18.00	14.60	14.60	12.80	10.60		125
130	20.60	20.80	19.00	17.40	14.40	13.80	12.40	10.40		130
135	19.00	19.60	18.20	16.60	14.20	13.20	12.00	10.00	8.20	135
140	17.80	18.60	17.40	16.00	13.80	12.40	11.40	9.80	8.20	140
145	16.80	17.40	16.60	15.20	13.60	11.80	10.80	9.60	8.00	145
150	15.60	16.40	15.80	14.60	13.20	11.40	10.40	9.20	7.80	150
155	14.60	15.40	15.20	14.00	12.80	10.80	9.80	8.80	7.60	155
160	13.40	14.40	14.40	13.40	12.40	10.20	9.20	8.40	7.40	160
165	12.40	13.60	13.60	12.80	11.80	9.60	8.80	8.00	7.20	165
170	11.60	12.60	12.80	12.20	11.40	9.00	8.40	7.80	6.80	170
175	10.80	11.80	12.20	11.60	10.80	8.60	8.00	7.40	6.40	175
180	10.00	10.80	11.40	11.20	10.40	8.20	7.40	6.80	6.00	180
185	9.00	10.00	10.60	10.60	10.00	7.60	7.00	6.40	5.60	185
190	8.20	9.40	9.80	10.00	9.40	7.20	6.60	6.00	5.20	190
195	7.60	8.60	9.20	9.40	9.00	6.80	6.20	5.60	5.00	195
200	7.00	7.80	8.40	8.80	8.60	6.40	5.80	5.20	4.60	200
205		7.20	7.80	8.00	8.20	6.00	5.40	4.80	4.20	205
210		6.60	7.20	7.40	7.80	5.40	5.00	4.40	3.80	210
215		6.00	6.60	6.80	7.20	5.00	4.60	4.20	3.60	215
220			6.00	6.20	6.60	4.40	4.20	3.80		220
225			5.40	5.60	6.00	4.00	3.80	3.40		225
230			4.80	5.00	5.60					230
235			4.20	4.60	5.00					235
240			3.60	4.00	4.40					240
245				3.40	4.00					245

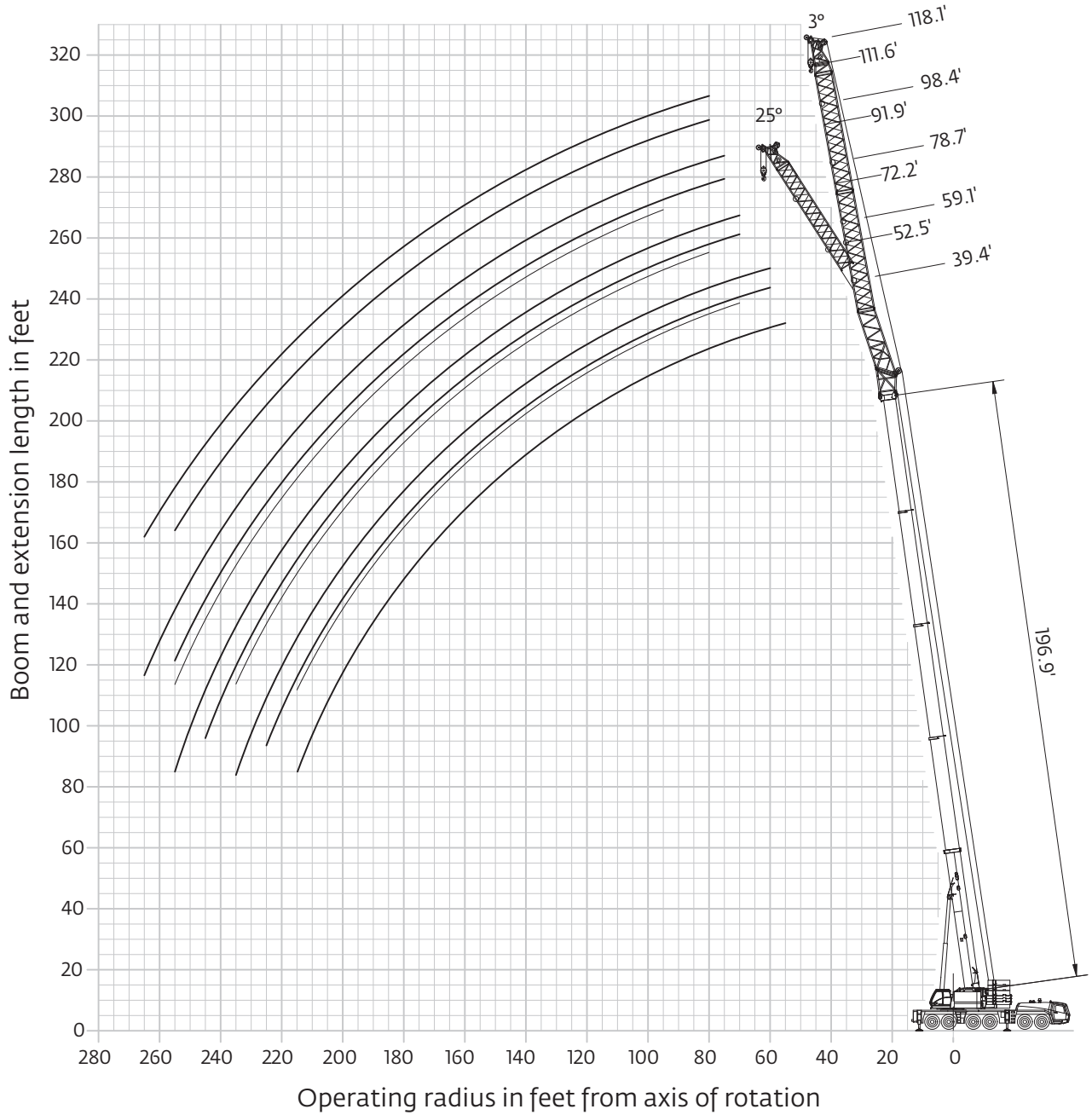
THIS CHART IS ONLY A GUIDE AND SHOULD NOT BE USED TO OPERATE THE CRANE.

Grove GMK6400 The individual crane's load chart, operating instructions and other instructional plates must be read and understood prior to operating the crane.

Working range

Lattice extension

Main boom and lattice extension




Hook heights shown in the working diagram do not consider loaded boom deflection.

THIS CHART IS ONLY A GUIDE AND SHOULD NOT BE USED TO OPERATE THE CRANE.


The individual crane's load chart, operating instructions and other instructional plates must be read and understood prior to operating the crane.

Load chart


Lattice extension




60,00 m
(196.9 ft)
80°




12 m - 36 m
(39.4 ft - 118.1 ft)
3°





135 000 kg
(297,600 lb)



8,7 m x 8,5 m
(28.5 ft x 27.9 ft)
(100%)



360°


Pounds x 1000


Feet	39.4	52.5	52.5/ 25°	72.2	72.2/ 25°	91.9	91.9/ 25°	111.6	118.1	Feet
55	49.00									55
60	49.00	41.80								60
65	49.00	41.80								65
70	49.00	41.80	41.80	34.20						70
75	47.00	41.80	40.40	34.20		28.60				75
80	45.00	40.80	39.00	34.20	34.20	28.60		23.40	22.40	80
85	42.80	39.20	37.60	34.20	33.40	28.60		23.40	22.40	85
90	40.60	37.40	36.00	33.60	32.20	28.60		23.40	22.40	90
95	38.40	35.60	34.60	32.40	31.00	28.60	26.40	23.40	22.40	95
100	36.40	33.60	33.00	31.00	29.80	27.80	26.00	23.40	22.40	100
105	34.40	31.80	31.20	30.00	28.40	26.60	25.40	23.40	22.40	105
110	32.40	30.00	29.20	28.80	27.20	25.40	24.40	23.00	22.40	110
115	30.60	28.20	27.40	27.40	26.00	24.40	23.60	22.20	22.20	115
120	28.80	26.60	25.80	25.80	25.00	23.60	22.80	21.40	21.40	120
125	27.20	24.80	24.40	24.20	24.00	22.60	21.80	20.60	20.60	125
130	25.40	23.20	23.20	22.80	23.00	21.60	21.00	19.80	19.80	130
135	24.00	21.80	21.80	21.40	22.20	20.80	20.20	19.00	19.20	135
140	22.80	20.60	20.40	20.40	21.20	19.80	19.40	18.40	18.40	140
145	21.40	19.40	19.20	19.20	20.00	18.80	18.60	17.60	17.80	145
150	20.20	18.20	18.00	18.00	19.00	18.00	17.80	16.80	17.00	150
155	19.20	17.20	17.00	17.00	17.80	17.00	17.00	16.00	16.40	155
160	18.00	16.00	16.00	16.00	16.80	16.00	16.40	15.40	15.60	160
165	17.00	15.00	15.00	15.00	15.80	15.00	15.60	14.80	15.00	165
170	16.00	14.20	14.00	14.00	14.80	14.20	14.80	14.00	14.40	170
175	15.20	13.20	13.00	13.20	14.00	13.40	14.00	13.20	13.80	175
180	14.40	12.40	12.20	12.40	13.20	12.60	13.40	12.60	13.20	180
185	13.40	11.60	11.40	11.60	12.40	11.80	12.60	11.80	12.40	185
190	12.60	10.80	10.60	10.80	11.40	11.00	11.80	11.00	11.80	190
195	11.80	10.00	9.80	10.00	10.60	10.40	11.20	10.40	11.20	195
200	11.00	9.20	9.00	9.40	10.00	9.60	10.40	9.60	10.60	200
205	10.40	8.60	8.20	8.80	9.20	9.00	9.80	9.00	10.00	205
210	9.60	7.80	7.60	8.00	8.60	8.40	9.00	8.40	9.40	210
215	9.00	7.20	7.00	7.40	8.00	7.60	8.40	7.80	8.80	215
220		6.60		6.80	7.20	7.00	7.80	7.20	8.20	220
225		6.00		6.20	6.60	6.40	7.20	6.60	7.60	225
230				5.60	6.00	6.00	6.60	6.00	7.00	230
235				5.20	5.40	5.40	6.00	5.60	6.60	235
240				4.60		5.00	5.40	5.00	6.00	240
245				4.20		4.40	4.80	4.60	5.60	245
250						4.00	4.40	4.00	5.00	250
255						3.60	3.80	3.60	4.60	255
260									4.20	260
265									3.80	265

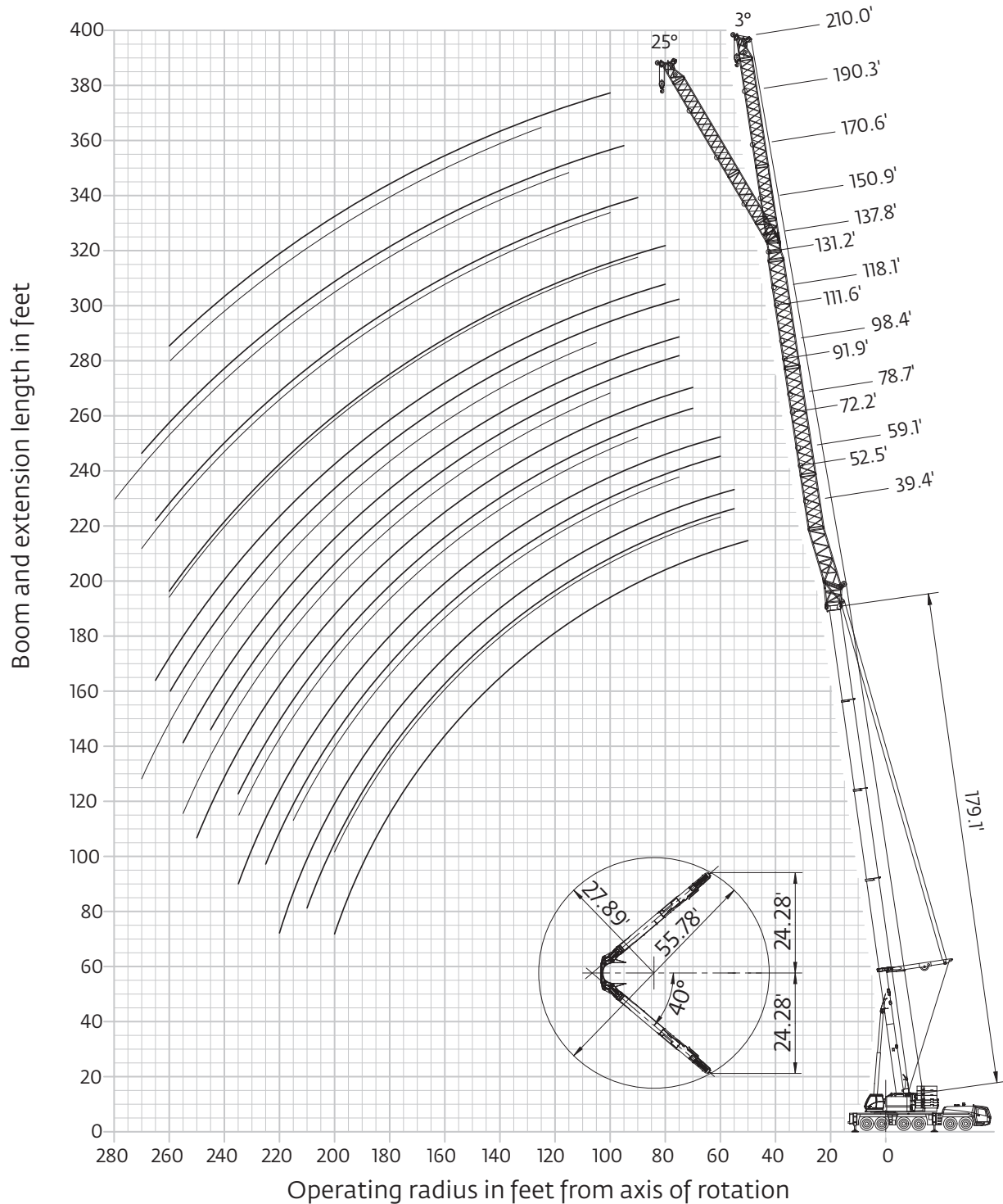
THIS CHART IS ONLY A GUIDE AND SHOULD NOT BE USED TO OPERATE THE CRANE.

Grove GMK6400 The individual crane's load chart, operating instructions and other instructional plates must be read and understood prior to operating the crane.

Working range

Lattice extension and MegaWingLift™


Main boom, lattice extension and MegaWingLift™




Hook heights shown in the working diagram do not consider loaded boom deflection.

Load chart


Lattice extension and MegaWingLift™




49,69 m
(163 ft)
80°




12 m - 64 m
(39.4 ft - 210.0 ft)
3°





135 000 kg
(297,600 lb)



8,7 m x 8,5 m
(28.5 ft x 27.9 ft)
(100%)



360°


Pounds x 1000


Feet	39.4	52.5	72.2	91.9	111.6	131.2	150.9	170.6	190.3	210.0	Feet
45	127.00										45
50	119.00	104.00									50
55	112.00	100.00	73.00								55
60	106.00	96.00	70.00	53.00							60
65	99.00	91.00	68.00	51.00							65
70	93.00	86.00	65.00	49.00	39.80						70
75	87.00	82.00	63.00	47.00	38.20	32.00	28.00				75
80	82.00	78.00	61.00	45.00	36.80	30.80	26.20	22.80			80
85	77.00	73.00	59.00	43.80	35.60	29.60	25.00	21.60			85
90	70.00	69.00	57.00	42.40	34.20	28.20	24.00	20.60	18.20		90
95	65.00	64.00	55.00	41.20	33.00	26.80	23.00	19.80	17.40	15.00	95
100	60.00	59.00	53.00	39.80	31.80	25.60	22.00	18.80	16.60	14.40	100
105	55.00	55.00	51.00	38.60	30.60	24.60	21.00	18.20	16.00	13.80	105
110	51.00	50.00	50.00	37.40	29.40	23.80	20.20	17.40	15.20	13.20	110
115	47.00	47.00	48.00	36.40	28.20	23.00	19.40	16.80	14.60	12.60	115
120	43.60	43.20	45.00	35.40	27.00	22.40	18.80	16.00	14.00	12.20	120
125	40.40	40.00	42.00	34.60	26.20	21.60	18.20	15.60	13.40	11.60	125
130	37.60	37.20	39.20	33.60	25.60	20.80	17.60	15.00	12.80	11.20	130
135	35.00	34.40	36.40	32.60	24.80	20.20	16.80	14.40	12.40	10.60	135
140	32.40	32.00	33.80	31.80	24.20	19.80	16.20	14.00	11.80	10.20	140
145	30.20	29.60	31.60	30.80	23.40	19.20	15.60	13.40	11.40	9.80	145
150	28.00	27.60	29.40	30.00	22.80	18.60	15.20	13.00	11.00	9.40	150
155	26.00	25.40	27.40	29.00	22.20	18.00	14.80	12.40	10.40	9.00	155
160	24.00	23.60	25.40	27.20	21.60	17.60	14.40	12.00	10.00	8.80	160
165	21.20	21.60	23.60	25.40	21.20	17.00	13.80	11.60	9.60	8.40	165
170	18.20	19.60	22.00	23.60	20.60	16.60	13.40	11.20	9.20	8.00	170
175	15.00	17.00	20.20	22.00	20.20	16.20	13.00	11.00	9.00	7.60	175
180	14.40	14.20	18.40	20.60	19.80	15.80	12.40	10.60	8.60	7.40	180
185	10.40	11.40	16.80	18.80	19.20	15.40	12.00	10.20	8.20	7.00	185
190	4.60	8.20	14.80	17.40	18.60	15.00	11.60	9.80	8.00	6.80	190
195		7.60	12.60	16.00	17.20	14.60	11.20	9.40	7.60	6.60	195
200			10.20	14.60	15.80	14.20	11.00	9.00	7.40	6.20	200
205			7.80	13.00	14.40	14.00	10.60	8.80	7.00	6.00	205
210			7.80	11.20	13.20	13.60	10.20	8.40	6.80	5.60	210
215			4.40	9.20	12.00	13.20	9.80	8.20	6.60	5.40	215
220				7.20	10.80	12.00	9.40	7.80	6.20	5.20	220
225				4.80	9.20	11.00	9.00	7.40	6.00	5.00	225
230				4.80	7.60	9.80	8.80	7.20	5.80	4.60	230
235					5.80	8.80	8.40	6.80	5.60	4.40	235
240					4.00	7.60	7.40	6.60	5.40	4.20	240
245					3.80	6.20	6.40	6.40	5.20	4.00	245
250						4.80	5.60	6.20	4.80	3.80	250
255							4.60	5.60	4.60	3.60	255
260								4.80	4.40		260
265								4.00	4.20		265
270									4.00		270

THIS CHART IS ONLY A GUIDE AND SHOULD NOT BE USED TO OPERATE THE CRANE.

Grove GMK6400 The individual crane's load chart, operating instructions and other instructional plates must be read and understood prior to operating the crane.

Load chart

Lattice extension and MegaWingLift™



49,69 m
(163 ft)
80°



16 m - 64 m
(52.5 ft - 210.0 ft)
25°



135 000 kg
(297,600 lb)



8,7 m x 8,5 m
(28.5 ft x 27.9 ft)
(100%)



360°




Pounds x 1000


Feet	52.5	72.2	91.9	111.6	131.2	150.9	170.6	190.3	210.0	Feet
55	86.00									55
60	84.00									60
65	82.00									65
70	80.00	47.00								70
75	77.00	46.00								75
80	74.00	45.00	31.80			24.80				80
85	71.00	43.80	31.20			24.00				85
90	68.00	43.00	30.60			23.00				90
95	65.00	42.20	30.00	22.00		22.00	18.20			95
100	61.00	41.40	29.40	21.60	17.40	21.20	17.40			100
105	56.00	40.80	28.60	21.20	17.00	20.40	16.80	14.00		105
110	52.00	40.00	28.00	20.80	16.60	19.60	16.20	13.80		110
115	48.00	39.40	27.20	20.20	16.20	18.80	15.60	13.20		115
120	44.00	38.80	26.60	20.00	15.80	18.20	15.20	12.80	10.80	120
125	41.20	38.20	25.80	19.60	15.40	17.60	14.60	12.40	10.40	125
130	38.20	37.80	25.40	19.20	15.20	17.00	14.00	11.80	10.00	130
135	35.40	37.20	25.00	18.80	14.80	16.40	13.60	11.40	9.60	135
140	32.80	36.20	24.60	18.60	14.60	15.80	13.20	11.00	9.20	140
145	30.40	33.80	24.40	18.20	14.20	15.40	12.80	10.60	9.00	145
150	28.20	31.40	24.00	18.00	14.00	14.80	12.40	10.20	8.60	150
155	26.20	29.20	23.60	17.60	13.60	14.40	11.80	10.00	8.20	155
160	24.20	27.20	23.40	17.40	13.40	14.00	11.40	9.60	8.00	160
165	22.20	25.40	23.00	17.00	13.20	13.60	11.00	9.40	7.60	165
170	20.40	23.60	22.80	16.80	13.00	13.20	10.80	9.00	7.40	170
175	17.80	21.80	22.60	16.60	12.80	12.80	10.40	8.60	7.20	175
180	15.20	20.00	22.40	16.40	12.60	12.40	10.20	8.40	6.80	180
185	12.20	18.40	21.00	16.20	12.40	12.00	9.80	8.00	6.60	185
190	9.00	16.60	19.40	16.00	12.20	11.60	9.40	7.80	6.40	190
195		14.60	17.80	15.80	12.00	11.20	9.20	7.60	6.00	195
200		12.20	16.20	15.60	11.80	10.80	8.80	7.40	5.80	200
205			14.80	15.40	11.60	10.40	8.60	7.00	5.60	205
210			13.40	15.20	11.40	10.00	8.20	6.80	5.40	210
215			11.60	14.60	11.40	9.60	8.00	6.60	5.20	215
220			9.40	13.20	11.20	9.40	7.60	6.40	5.00	220
225				12.00	11.00	9.00	7.40	6.00	4.80	225
230				10.60	11.00	8.80	7.20	5.80	4.60	230
235				9.00	10.80	8.40	6.80	5.60	4.40	235
240				7.00	10.40	8.20	6.60	5.40	4.20	240
245					9.20	7.20	6.20	5.20	4.00	245
250					8.20	6.20	6.00	5.00	3.80	250
255					6.60	5.40	5.80	4.80	3.60	255
260					5.00	4.20	5.60	4.40		260
265							4.80	4.20		265
270							4.00	4.00		270
275								3.60		275

Load chart


Lattice extension and MegaWingLift™




54,59 m
(179.1 ft)
80°




12 m - 64 m
(39.4 ft - 210.0 ft)
3°





135 000 kg
(297,600 lb)



8,7 m x 8,5 m
(28.5 ft x 27.9 ft)
(100%)



360°


—

Pounds x 1000

Feet	39.4	52.5	72.2	91.9	111.6	131.2	150.9	170.6	190.3	210.0	Feet
50	108.00										50
55	102.00	93.00									55
60	96.00	88.00	69.00								60
65	91.00	83.00	67.00								65
70	85.00	79.00	64.00	48.00							70
75	81.00	74.00	62.00	46.00	37.80	31.40					75
80	77.00	70.00	61.00	45.00	36.40	30.40	25.40				80
85	73.00	67.00	59.00	43.60	35.20	29.20	24.60				85
90	69.00	64.00	57.00	42.20	34.00	28.20	23.60	20.40			90
95	66.00	61.00	55.00	40.80	33.00	27.20	22.60	19.60	17.20		95
100	61.00	57.00	52.00	39.60	31.80	26.00	21.80	18.80	16.40	13.80	100
105	56.00	55.00	50.00	38.60	30.80	25.00	21.00	18.20	15.80	13.80	105
110	52.00	51.00	48.00	37.60	29.80	23.80	20.40	17.40	15.20	13.20	110
115	48.00	47.00	46.00	36.40	28.80	23.20	19.60	16.80	14.60	12.60	115
120	45.00	44.00	44.00	35.40	27.80	22.40	18.80	16.20	14.00	12.20	120
125	41.60	40.80	42.40	34.60	26.80	21.80	18.20	15.60	13.60	11.60	125
130	38.80	37.80	39.60	33.80	25.80	21.20	17.60	15.00	13.00	11.20	130
135	36.00	35.20	36.80	33.00	25.00	20.60	17.20	14.60	12.40	10.80	135
140	33.60	32.60	34.40	32.20	24.40	20.00	16.60	14.20	12.00	10.40	140
145	31.20	30.40	32.00	31.40	23.80	19.40	16.00	13.60	11.40	10.00	145
150	29.00	28.20	29.80	30.60	23.40	19.00	15.40	13.20	11.00	9.40	150
155	27.00	26.20	27.80	29.40	22.80	18.60	15.00	12.80	10.60	9.20	155
160	25.20	24.20	26.00	27.40	22.20	18.00	14.60	12.20	10.20	8.80	160
165	23.40	22.40	24.20	25.60	21.60	17.60	14.20	11.80	9.80	8.40	165
170	21.60	20.60	22.40	24.00	21.20	17.00	13.80	11.40	9.40	8.20	170
175	19.60	18.80	20.80	22.40	20.80	16.60	13.20	11.20	9.00	7.80	175
180	17.20	17.00	19.00	20.80	20.20	16.20	12.80	10.80	8.80	7.60	180
185	14.60	15.20	17.40	19.20	19.80	15.80	12.40	10.40	8.40	7.20	185
190	11.80	13.00	15.80	17.80	18.80	15.40	12.00	10.00	8.20	7.00	190
195	10.00	10.60	14.40	16.20	17.40	15.20	11.60	9.80	7.80	6.60	195
200	8.00	8.20	13.00	15.00	16.00	14.80	11.20	9.40	7.60	6.40	200
205		6.80	11.20	13.60	14.60	14.40	11.00	9.00	7.40	6.20	205
210		5.00	9.20	12.40	13.40	14.20	10.60	8.80	7.00	6.00	210
215			7.20	11.20	12.20	13.20	10.20	8.40	6.80	5.60	215
220			5.00	9.80	11.00	12.00	10.00	8.20	6.40	5.40	220
225			4.00	8.00	10.00	11.00	9.60	7.80	6.20	5.20	225
230				6.40	9.00	10.00	9.20	7.60	6.00	5.00	230
235				4.40	7.80	9.00	8.80	7.40	5.80	4.60	235
240					6.40	8.00	7.80	7.00	5.60	4.40	240
245					5.00	7.00	6.80	6.80	5.40	4.20	245
250						6.20	6.00	6.40	5.20	4.00	250
255						5.00	5.00	5.60	5.00	3.80	255
260						3.80	4.20	4.80	4.80	3.60	260
265								4.00	4.60		265
270									3.80		270

THIS CHART IS ONLY A GUIDE AND SHOULD NOT BE USED TO OPERATE THE CRANE.

Grove GMK6400 The individual crane's load chart, operating instructions and other instructional plates must be read and understood prior to operating the crane.

Load chart

Lattice extension and MegaWingLift™



54,59 m
(179.1 ft)
80°



16 m - 64 m
(52.5 ft - 210.0 ft)
25°



135 000 kg
(297,600 lb)



8,7 m x 8,5 m
(28.5 ft x 27.9 ft)
(100%)



360°



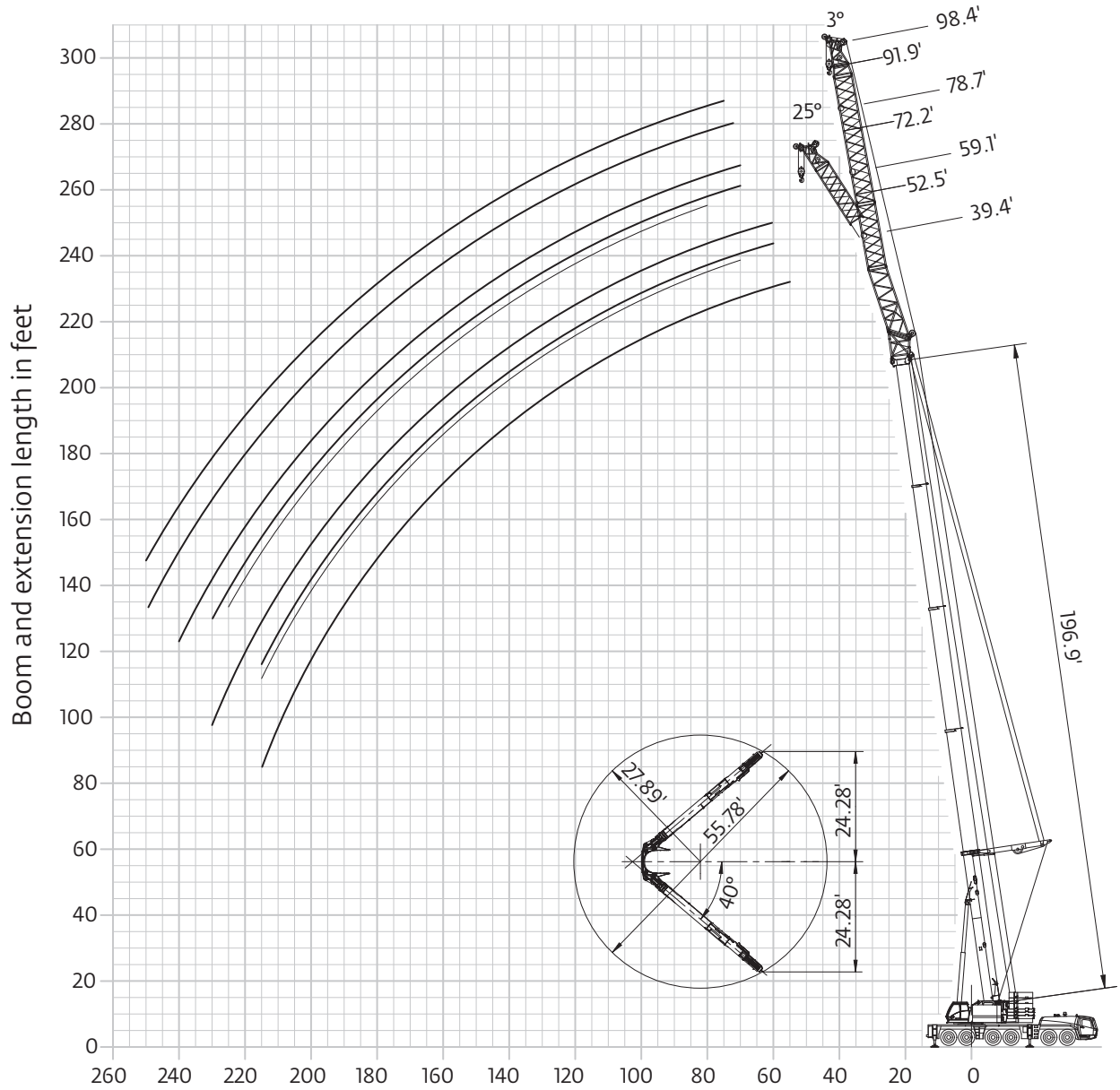
Pounds x 1000

Feet	52.5	72.2	91.9	111.6	131.2	150.9	170.6	190.3	210.0	Feet
60	81.00									60
65	78.00									65
70	75.00									70
75	72.00	46.00								75
80	69.00	45.00								80
85	66.00	43.80								85
90	63.00	43.00	30.40			22.60				90
95	60.00	42.20	29.80			21.80				95
100	57.00	41.60	29.20	21.60		21.00	17.40			100
105	54.00	40.80	28.60	21.20	16.80	20.20	16.80			105
110	52.00	40.20	28.00	20.80	16.60	19.60	16.20			110
115	49.00	39.60	27.4	20.40	16.20	19.00	15.60	13.20		115
120	45.00	39.00	26.80	20.00	15.80	18.20	15.20	12.80		120
125	42.20	38.20	26.00	19.60	15.40	17.60	14.60	12.40	10.00	125
130	39.20	37.40	25.40	19.40	15.20	17.20	14.20	11.80	10.00	130
135	36.40	36.60	24.80	19.00	14.80	16.60	13.60	11.40	9.60	135
140	33.80	35.60	24.40	18.60	14.60	16.20	13.20	11.20	9.20	140
145	31.40	34.20	24.20	18.40	14.40	15.60	12.80	10.80	9.00	145
150	29.20	32.00	23.80	18.00	14.00	15.20	12.40	10.40	8.60	150
155	27.20	29.80	23.40	17.80	13.80	14.60	12.00	10.00	8.40	155
160	25.20	27.80	23.20	17.60	13.60	14.20	11.60	9.80	8.00	160
165	23.40	26.00	22.80	17.20	13.20	13.80	11.40	9.40	7.80	165
170	21.60	24.20	22.60	17.00	13.00	13.40	11.00	9.20	7.40	170
175	19.60	22.40	22.40	16.80	12.80	13.00	10.60	8.80	7.20	175
180	18.00	20.80	22.20	16.40	12.60	12.60	10.20	8.60	7.00	180
185	16.20	19.20	21.40	16.20	12.40	12.20	10.00	8.20	6.80	185
190	14.00	17.60	20.00	16.00	12.20	11.80	9.80	8.00	6.40	190
195	11.60	16.00	18.40	16.00	12.00	11.40	9.40	7.80	6.20	195
200	9.20	14.40	16.80	15.80	11.80	11.20	9.20	7.40	6.00	200
205		13.00	15.40	15.60	11.80	10.80	8.80	7.20	5.80	205
210		11.00	14.00	15.40	11.60	10.40	8.60	7.00	5.60	210
215		9.00	12.80	15.00	11.40	10.20	8.20	6.80	5.40	215
220			11.40	13.60	11.40	9.80	8.00	6.60	5.20	220
225			10.20	12.40	11.20	9.60	7.80	6.40	5.00	225
230			8.40	11.20	11.00	9.20	7.40	6.00	4.80	230
235			6.60	10.00	11.00	8.80	7.20	5.80	4.60	235
240			4.40	9.00	10.80	8.20	7.00	5.60	4.40	240
245				7.80	9.80	7.20	6.60	5.40	4.20	245
250				6.20	8.60	6.40	6.40	5.20	4.00	250
255				4.40	7.60	5.40	6.20	5.00	3.80	255
260					6.60	4.60	5.80	4.80	3.60	260
265					5.60	3.80	4.80	4.60		265
270					4.20		4.00	4.40		270
275								4.20		275
280								3.60		280

Working range

Lattice extension and MegaWingLift™

Main boom, lattice extension and MegaWingLift™



Operating radius in feet from axis of rotation








Hook heights shown in the working diagram do not consider loaded boom deflection.

THIS CHART IS ONLY A GUIDE AND SHOULD NOT BE USED TO OPERATE THE CRANE.

Grove GMK6400 The individual crane's load chart, operating instructions and other instructional plates must be read and understood prior to operating the crane.

Load chart

Lattice extension and MegaWingLift™

 60,00 m (196.9 ft) 80°	 12 m - 30 m (39.4 ft - 98.4 ft) 3°	 135 000 kg (297,600 lb)	 8,7 m x 8,5 m (28.5 ft x 27.9 ft) (100%)	 360°
  Pounds x 1000				

Feet	39.4	52.5	52.5/ 25°	59.1	72.2	72.2/ 25°	78.7	91.9	98.4	Feet
55	94.00									55
60	89.00	78.00		74.00						60
65	85.00	74.00		70.00						65
70	81.00	71.00	65.00	67.00	60.00		58.00			70
75	77.00	68.00	63.00	65.00	57.00		55.00	47.00	46.00	75
80	74.00	65.00	60.00	62.00	55.00	45.00	53.00	45.00	45.00	80
85	71.00	62.00	58.00	60.00	53.00	43.80	51.00	43.80	43.40	85
90	67.00	60.00	56.00	57.00	50.00	42.80	49.00	42.60	42.00	90
95	64.00	58.00	54.00	55.00	48.00	42.00	47.00	41.20	40.60	95
100	61.00	55.00	52.00	54.00	47.00	41.00	45.00	40.00	39.00	100
105	56.00	53.00	51.00	52.00	45.00	40.00	43.80	38.80	37.60	105
110	52.00	51.00	49.00	50.00	43.60	39.00	42.40	37.60	36.60	110
115	48.00	47.00	47.00	48.00	42.00	37.80	41.00	36.40	35.40	115
120	45.00	44.00	45.00	46.00	40.60	36.80	39.60	35.20	34.40	120
125	41.40	40.80	42.00	43.00	39.40	35.80	38.20	34.00	33.20	125
130	38.60	38.00	39.00	40.20	38.20	34.80	37.20	32.80	32.00	130
135	35.80	35.20	36.20	37.40	36.40	34.00	36.20	31.80	31.00	135
140	33.40	32.80	33.60	35.00	34.00	33.20	35.20	31.00	30.00	140
145	31.00	30.40	31.40	32.60	31.60	32.40	34.00	30.00	29.20	145
150	29.00	28.20	29.00	30.40	29.40	31.60	31.80	29.00	28.40	150
155	27.00	26.20	27.00	28.40	27.40	29.60	29.80	28.00	27.40	155
160	25.00	24.40	24.00	26.40	25.60	27.60	27.80	27.00	26.60	160
165	23.20	22.40	23.20	24.80	23.80	25.60	26.20	25.20	25.80	165
170	21.40	20.60	21.40	23.00	22.00	24.00	24.40	23.60	25.00	170
175	19.80	18.80	19.60	21.40	20.20	22.20	22.80	22.00	23.60	175
180	18.00	17.00	17.80	19.80	18.60	20.60	21.40	20.20	22.00	180
185	16.40	15.40	16.20	18.20	17.00	18.80	19.80	18.60	20.60	185
190	14.80	14.00	14.60	16.60	15.40	17.20	18.40	17.20	19.20	190
195	12.80	12.60	13.00	15.20	14.00	15.80	16.80	15.80	17.60	195
200	10.40	11.00	11.60	13.80	12.60	14.20	15.40	14.40	16.20	200
205	8.20	9.00	9.80	12.60	11.40	12.80	14.20	13.00	15.00	205
210	5.60	7.00	7.80	11.00	10.20	11.60	13.00	11.80	13.80	210
215	5.40	5.00	5.60	9.00	9.00	10.20	11.80	10.60	12.60	215
220				7.00	7.40	9.00	10.60	9.40	11.40	220
225				5.00	5.60	7.40	9.40	8.40	10.40	225
230				5.00	3.80		7.80	7.40	9.40	230
235							6.00	6.20	8.40	235
240							4.40	4.60	7.40	240
245									6.00	245
250									4.60	250

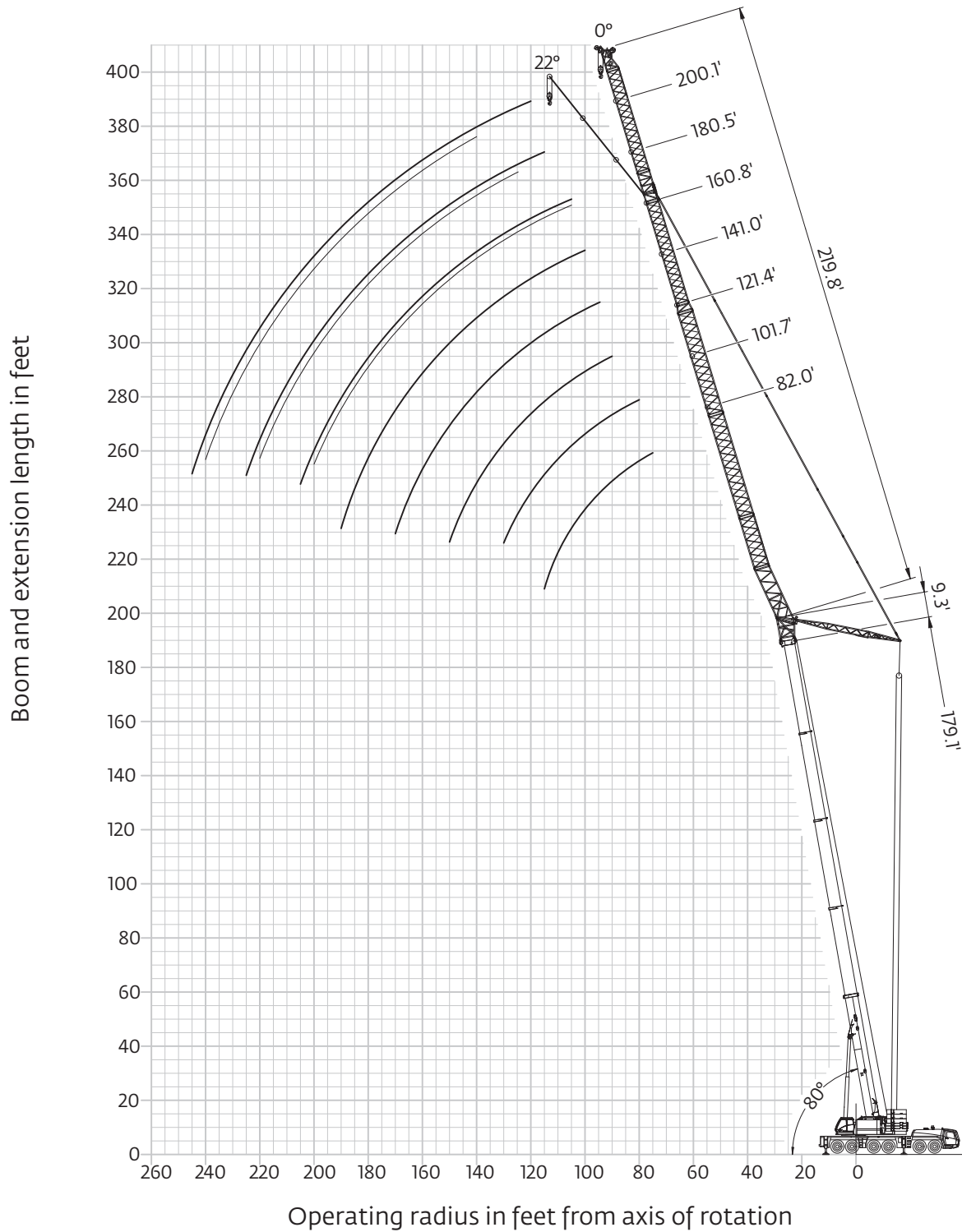
THIS CHART IS ONLY A GUIDE AND SHOULD NOT BE USED TO OPERATE THE CRANE.

The individual crane's load chart, operating instructions and other instructional plates must be read and understood prior to operating the crane.

Working range

Luffing jib

Main boom and luffing jib - 80°



Hook heights shown in the working diagram do not consider loaded boom deflection.

THIS CHART IS ONLY A GUIDE AND SHOULD NOT BE USED TO OPERATE THE CRANE.

Grove GMK6400 *The individual crane's load chart, operating instructions and other instructional plates must be read and understood prior to operating the crane.*

Load chart

Luffing jib



15,39 m
(50.5 ft)
80°



31 m - 73 m
(101.7 ft - 239.5 ft)



135 000 kg
(297,600 lb)



8,7 m x 8,5 m
(28.5 ft x 27.9 ft)
(100%)



360°



Pounds x 1000

Feet	101.7 0°	121.4 0°	141.1 0°	160.8 0°	180.5 0°	22°	200.1 0°	22°	219.8 0°	22°	239.5 0°	22°	Feet
60													60
65			68.00										65
70		81.00	67.00	56.00									70
75		80.00	67.00	56.00	46.00								75
80	89.00	79.00	67.00	56.00	46.00	47.00	38.60						80
85	86.00	78.00	66.00	55.00	46.00	46.00	38.60						85
90	84.00	76.00	66.00	55.00	46.00	46.00	38.60		32.60				90
95	78.00	74.00	65.00	55.00	46.00	46.00	38.60	38.80	32.60		27.20		95
100	68.00	72.00	65.00	54.00	45.00	46.00	38.60	38.80	32.60		27.20		100
105		70.00	63.00	54.00	45.00	46.00	38.60	38.80	32.60	29.20	27.20		105
110		68.00	62.00	54.00	45.00	45.00	38.60	38.60	32.60	28.60	27.20		110
115		60.00	61.00	53.00	45.00	45.00	38.60	38.40	32.60	27.80	27.20		115
120		53.00	59.00	53.00	45.00	45.00	38.40	38.20	32.60	27.20	27.00	20.80	120
125			58.00	52.00	44.00	45.00	38.20	38.00	32.60	26.80	26.40	20.60	125
130			53.00	51.00	44.00	45.00	38.20	37.80	32.60	26.60	25.80	20.20	130
135			48.00	50.00	43.60	44.00	38.00	37.60	32.20	26.20	25.20	19.80	135
140				49.00	43.40	43.80	37.80	37.40	31.80	25.80	24.60	19.40	140
145				47.00	42.80	43.20	37.60	37.20	31.20	25.40	24.00	19.20	145
150				43.20	42.40	42.80	37.40	37.00	30.80	25.20	23.40	18.80	150
155				38.80	41.80	42.20	37.40	37.00	30.20	24.80	23.00	18.40	155
160					41.40	41.80	37.00	37.00	29.40	24.60	22.40	18.20	160
165					38.20	38.60	36.60	36.80	28.80	24.20	22.00	18.00	165
170					35.00	35.20	36.20	36.40	28.00	24.00	21.40	17.60	170
175					31.60		36.00	36.20	27.40	23.80	21.00	17.40	175
180							34.00	35.20	26.80	23.60	20.60	17.20	180
185							31.40	32.40	26.40	23.40	20.00	17.00	185
190							28.60	29.60	25.80	23.40	19.60	16.80	190
195							25.80		25.40	23.20	19.20	16.60	195
200									25.00	23.20	18.80	16.60	200
205									24.40	23.20	18.40	16.40	205
210									23.60		18.00	16.20	210
215									21.20		17.60	16.20	215
220											17.40	16.20	220
225											17.00	16.20	225
230											16.80		230
235											16.40		235

THIS CHART IS ONLY A GUIDE AND SHOULD NOT BE USED TO OPERATE THE CRANE.

The individual crane's load chart, operating instructions and other instructional plates must be read and understood prior to operating the crane.

Load chart

Luffing jib

25,19 m (82.6 ft) 80°
 25 m - 73 m (82.0 ft - 239.5 ft)
 135 000 kg (297,600 lb)
 8,7 m x 8,5 m (28.5 ft x 27.9 ft) (100%)
 360°

Pounds x 1000

Feet	82.0 0°	101.7 0°	121.4 0°	141.1 0°	160.8 0°	180.5 0° 22°		200.1 0° 22°		219.8 0° 22°		239.5 0° 22°		Feet
50	111.00													50
55	111.00	88.00												55
60	109.00	88.00	71.00											60
65	105.00	88.00	71.00											65
70	100.00	88.00	71.00	58.00										70
75	96.00	88.00	71.00	58.00	48.00									75
80	92.00	88.00	71.00	58.00	48.00	39.60								80
85	90.00	88.00	71.00	58.00	48.00	39.60								85
90	84.00	88.00	71.00	58.00	48.00	39.60	40.20	33.20						90
95		84.00	71.00	58.00	48.00	39.60	40.20	33.20		28.20				95
100		79.00	71.00	58.00	48.00	39.60	40.20	33.20	33.80	28.20		23.40		100
105		75.00	71.00	58.00	48.00	39.60	40.20	33.20	33.80	28.20		23.40		105
110		64.00	70.00	58.00	48.00	39.60	40.20	33.20	33.80	28.20		23.40		110
115			67.00	58.00	48.00	39.60	40.20	33.20	33.80	28.20	27.60	23.40		115
120			63.00	58.00	48.00	39.60	40.20	33.20	33.80	28.20	27.00	23.40		120
125			60.00	58.00	48.00	39.60	40.20	33.20	33.80	28.20	26.60	23.40	20.60	125
130			51.00	57.00	48.00	39.60	40.20	33.20	33.80	28.20	26.20	23.40	20.20	130
135				54.00	48.00	39.60	40.20	33.20	33.80	28.20	26.00	23.40	19.80	135
140				48.00	48.00	39.60	40.20	33.20	33.80	28.20	25.60	23.40	19.60	140
145					48.00	39.60	40.20	33.20	33.80	28.20	25.40	23.40	19.20	145
150					48.00	39.60	40.20	33.20	33.80	28.20	25.00	23.20	19.00	150
155					46.00	39.60	40.20	33.20	33.80	28.20	24.80	22.80	18.60	155
160					43.80	39.60	40.20	33.20	33.80	28.20	24.60	22.40	18.40	160
165						39.60	40.20	33.20	33.80	28.20	24.20	22.00	18.00	165
170						39.60	39.80	33.20	33.80	28.00	24.00	21.60	17.80	170
175						38.20	38.20	33.20	33.80	27.40	23.80	21.20	17.60	175
180						36.00		33.20	33.80	26.80	23.60	20.80	17.40	180
185								33.20	33.80	26.40	23.60	20.40	17.20	185
190								33.20	33.80	26.00	23.40	20.00	17.00	190
195								32.60	32.80	25.60	23.20	19.60	16.80	195
200								29.60		25.20	23.20	19.20	16.60	200
205										24.80	23.00	18.80	16.40	205
210										24.40	23.00	18.40	16.40	210
215										24.00	23.00	18.00	16.20	215
220										23.60		17.60	16.20	220
225												17.40	16.00	225
230												17.00	16.00	230
235												16.80	16.00	235
240												16.40		240

THIS CHART IS ONLY A GUIDE AND SHOULD NOT BE USED TO OPERATE THE CRANE.

Grove GMK6400 The individual crane's load chart, operating instructions and other instructional plates must be read and understood prior to operating the crane.

Load chart

Luffing jib



34,99 m
(114.8 ft)
80°



25 m - 73 m
(82.0 ft - 239.5 ft)



135 000 kg
(297,600 lb)



8,7 m x 8,5 m
(28.5 ft x 27.9 ft)
(100%)



360°




Pounds x 1000


Feet	82.0 0°	101.7 0°	121.4 0°	141.1 0°	160.8 0°	180.5 0° 22°		200.1 0° 22°		219.8 0° 22°		239.5 0° 22°		Feet
60	70.00	59.00												70
65	70.00	58.00												75
70	70.00	58.00	48.00											70
75	70.00	58.00	48.00	39.40										75
80	70.00	58.00	48.00	39.40	33.00									80
85	70.00	58.00	48.00	39.40	33.00									85
90	70.00	58.00	48.00	39.40	33.00	26.20								90
95	70.00	58.00	48.00	39.40	33.00	26.20	26.80	21.80						95
100		58.00	48.00	39.40	33.00	26.20	26.80	21.80		18.20				100
105		58.00	48.00	39.40	33.00	26.20	26.80	21.80	22.40	18.20		15.00		105
110		58.00	48.00	39.40	33.00	26.20	26.80	21.80	22.40	18.20		15.00		110
115		58.00	48.00	39.40	33.00	26.20	26.80	21.80	22.40	18.20		15.00		115
120			48.00	39.40	33.00	26.20	26.80	21.80	22.40	18.20	18.80	15.00		120
125			48.00	39.40	33.00	26.20	26.80	21.80	22.40	18.20	18.80	15.00		125
130			48.00	39.40	33.00	26.20	26.80	21.80	22.40	18.20	18.80	15.00		130
135			48.00	39.40	33.00	26.20	26.80	21.80	22.40	18.20	18.80	15.00	15.40	135
140				39.40	33.00	26.20	26.80	21.80	22.40	18.20	18.80	15.00	15.40	140
145				39.40	33.00	26.20	26.80	21.80	22.40	18.20	18.80	15.00	15.40	145
150				39.40	33.00	26.20	26.80	21.80	22.40	18.20	18.80	15.00	15.40	150
155					33.00	26.20	26.80	21.80	22.40	18.20	18.80	15.00	15.40	155
160					33.00	26.20	26.80	21.80	22.40	18.20	18.80	15.00	15.40	160
165					33.00	26.20	26.80	21.80	22.40	18.20	18.80	15.00	15.40	165
170					33.00	26.20	26.80	21.80	22.40	18.20	18.80	15.00	15.40	170
175						26.20	26.80	21.80	22.40	18.20	18.80	15.00	15.40	175
180						26.20	26.80	21.80	22.40	18.20	18.80	15.00	15.40	180
185						26.20		21.80	22.40	18.20	18.80	15.00	15.40	185
190						26.20		21.80	22.40	18.20	18.80	15.00	15.40	190
195								21.80	22.40	18.20	18.80	15.00	15.40	195
200								21.80	22.40	18.20	18.80	15.00	15.40	200
205								21.80		18.20	18.80	15.00	15.40	205
210										18.20	18.80	15.00	15.40	210
215										18.20	18.80	15.00	15.40	215
220										18.20	18.80	15.00	15.40	220
225												15.00	15.40	225
230												15.00	15.40	230
235												15.00	15.40	235
240												15.00	15.40	240
245												15.00		245

Load chart


Luffing jib



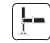
44,79 m
(147.0 ft)
80°




25 m - 73 m
(82.0 ft - 239.5 ft)




135 000 kg
(297,600 lb)




8,7 m x 8,5 m
(28.5 ft x 27.9 ft)
(100%)



360°




Pounds x 1000

Feet	82.0 0°	101.7 0°	121.4 0°	141.1 0°	160.8 0°	180.5 0°	22°	200.1 0°	22°	219.8 0°	22°	239.5 0°	22°	Feet
60	52.00													60
65	52.00													65
70	52.00	42.60												70
75	51.00	42.60	34.80											75
80	50.00	42.60	34.80	28.40										80
85	49.00	42.60	34.80	28.40										85
90	48.00	42.60	34.80	28.40	23.00									90
95	47.00	42.40	34.80	28.40	23.00	18.40								95
100	45.00	41.40	34.80	28.40	23.00	18.40	18.80							100
105		40.20	34.80	28.40	23.00	18.40	18.80	15.20		12.40				105
110		39.20	34.80	28.40	23.00	18.40	18.80	15.20		12.40				110
115		38.00	34.80	28.40	23.00	18.40	18.80	15.20	15.60	12.40		9.60		115
120		37.00	34.00	28.40	23.00	18.40	18.80	15.20	15.60	12.40		9.60		120
125			33.20	28.40	23.00	18.40	18.80	15.20	15.60	12.40	12.80	9.60		125
130			32.40	28.40	23.00	18.40	18.80	15.20	15.60	12.40	12.80	9.60		130
135			31.40	28.00	23.00	18.40	18.80	15.20	15.60	12.40	12.80	9.60		135
140			30.80	27.40	23.00	18.40	18.80	15.20	15.60	12.40	12.80	9.60	10.20	140
145				26.60	23.00	18.40	18.80	15.20	15.60	12.40	12.80	9.60	10.20	145
150				26.00	23.00	18.40	18.80	15.20	15.60	12.40	12.80	9.60	10.20	150
155				25.40	23.00	18.40	18.80	15.20	15.60	12.40	12.80	9.60	10.20	155
160				24.80	22.80	18.40	18.80	15.20	15.60	12.40	12.80	9.60	10.20	160
165					22.40	18.40	18.80	15.20	15.60	12.40	12.80	9.60	10.20	165
170					21.80	18.40	18.80	15.20	15.60	12.40	12.80	9.60	10.20	170
175					21.40	18.40	18.80	15.20	15.60	12.40	12.80	9.60	10.20	175
180						18.40	18.80	15.20	15.60	12.40	12.80	9.60	10.20	180
185						18.20	18.40	15.20	15.60	12.40	12.80	9.60	10.20	185
190						17.80	18.00	15.20	15.60	12.40	12.80	9.60	10.20	190
195						17.40		15.20	15.60	12.40	12.80	9.60	10.20	195
200								15.20	15.60	12.40	12.80	9.60	10.20	200
205								15.20	15.60	12.40	12.80	9.60	10.20	205
210								15.00		12.40	12.80	9.60	10.20	210
215								14.60		12.40	12.80	9.60	10.20	215
220										12.40	12.80	9.60	10.20	220
225										12.40	12.80	9.60	10.20	225
230										12.40		9.60	10.20	230
235										12.40		9.60	10.20	235
240												9.60	10.20	240
245												9.60	10.20	245
250												9.60		250
255												9.60		255

THIS CHART IS ONLY A GUIDE AND SHOULD NOT BE USED TO OPERATE THE CRANE.

Grove GMK6400 The individual crane's load chart, operating instructions and other instructional plates must be read and understood prior to operating the crane.

Load chart

Luffing jib



54,59 m
(179.1 ft)
80°



25 m - 61 m
(82.0 ft - 200.1 ft)



135 000 kg
(297,600 lb)



8,7 m x 8,5 m
(28.5 ft x 27.9 ft)
(100%)



360°



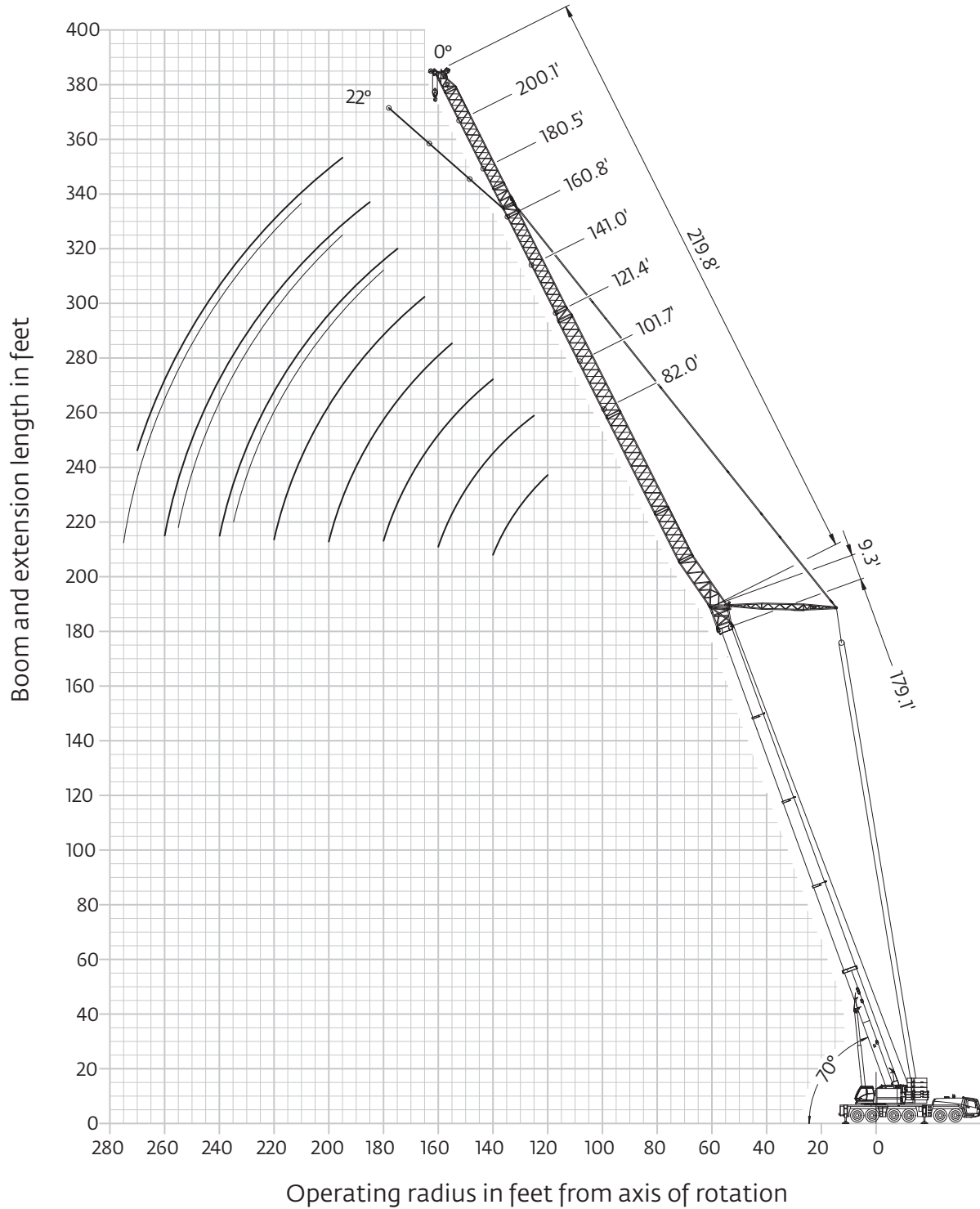
Pounds x 1000

Feet	82.0 0°	101.7 0°	121.4 0°	141.1 0°	160.8 0°	180.5 0°	180.5 22°	200.1 0°	200.1 22°	219.8 0°	219.8 22°	Feet
75	33.00											75
80	33.00	26.40										80
85	33.00	26.40										85
90	33.00	26.40	21.20									90
95	33.00	26.40	21.20	16.60								95
100	33.00	26.40	21.20	16.60	13.20							100
105	32.80	26.40	21.20	16.60	13.20	9.80	10.20	7.40				105
110	31.60	26.40	21.20	16.60	13.20	9.80	10.20	7.40				110
115	30.20	26.20	21.20	16.60	13.20	9.80	10.20	7.40				115
120		25.60	21.20	16.60	13.20	9.80	10.20	7.40		5.40		120
125		25.00	21.20	16.60	13.20	9.80	10.20	7.40	7.80	5.40		125
130		24.40	21.20	16.60	13.20	9.80	10.20	7.40	7.80	5.40		130
135			21.20	16.60	13.20	9.80	10.20	7.40	7.80	5.40		135
140			20.80	16.60	13.20	9.80	10.20	7.40	7.80	5.40	6.00	140
145			20.40	16.60	13.20	9.80	10.20	7.40	7.80	5.40	6.00	145
150			20.00	16.60	13.20	9.80	10.20	7.40	7.80	5.40	6.00	150
155				16.60	13.20	9.80	10.20	7.40	7.80	5.40	6.00	155
160				16.60	13.20	9.80	10.20	7.40	7.80	5.40	6.00	160
165				16.40	13.20	9.80	10.20	7.40	7.80	5.40	6.00	165
170				16.00	13.20	9.80	10.20	7.40	7.80	5.40	6.00	170
175					13.20	9.80	10.20	7.40	7.80	5.40	6.00	175
180					13.20	9.80	10.20	7.40	7.80	5.40	6.00	180
185					13.20	9.80	10.20	7.40	7.80	5.40	6.00	185
190					13.00	9.80	10.20	7.40	7.80	5.40	6.00	190
195						9.80	10.20	7.40	7.80	5.40	6.00	195
200						9.80	10.20	7.40	7.80	5.40	6.00	200
205						9.80		7.40	7.80	5.40	6.00	205
210								7.40	7.80	5.40	6.00	210
215								7.40	7.80	5.40	6.00	215
220								7.40	7.80	5.40	6.00	220
225								7.40		5.40	6.00	225
230										5.40	6.00	230
235										5.40	6.00	235
240										5.40	6.00	240
245										5.40		245

Working range

Luffing jib

Main boom and luffing jib - 70°



Hook heights shown in the working diagram do not consider loaded boom deflection.

THIS CHART IS ONLY A GUIDE AND SHOULD NOT BE USED TO OPERATE THE CRANE.

Grove GMK6400 *The individual crane's load chart, operating instructions and other instructional plates must be read and understood prior to operating the crane.*

Load chart

Luffing jib



15,39 m
(50.5 ft)
70°



25 m - 73 m
(82.0 ft - 239.5 ft)



135 000 kg
(297,600 lb)



8,7 m x 8,5 m
(28.5 ft x 27.9 ft)
(100%)



360°



Pounds x 1000

Feet	82.0 0°	101.7 0°	121.4 0°	141.1 0°	160.8 0°	180.5 0°	200.1 22°	219.8 0°	239.5 0°	Feet				
60	113.00									60				
65	109.00									65				
70	104.00									70				
75	100.00	91.00								75				
80	95.00	88.00								80				
85	95.00	86.00								85				
90	89.00	83.00	75.00							90				
95		81.00	73.00	64.00						95				
100		78.00	72.00	63.00	53.00					100				
105		74.00	70.00	62.00	53.00					105				
110		70.00	68.00	61.00	52.00					110				
115			66.00	60.00	52.00	43.60	44.00			115				
120			63.00	59.00	51.00	43.40	43.80	37.20		120				
125			60.00	58.00	51.00	43.20	43.60	37.20		125				
130			57.00	56.00	50.00	43.00	43.40	37.00		130				
135				54.00	50.00	42.80	43.20	37.00	37.00	32.00	135			
140				51.00	49.00	42.60	43.00	36.80	37.00	31.80	25.20	140		
145				49.00	48.00	42.20	42.60	36.60	37.00	31.80	26.00	24.80	145	
150				47.00	47.00	41.60	42.20	36.60	36.80	31.40	25.60	24.20	150	
155					45.00	41.20	41.60	36.40	36.80	31.00	25.40	23.80	155	
160					43.20	40.60	41.00	36.20	36.60	30.40	25.00	23.20	160	
165					41.60	40.20	40.40	35.80	36.40	30.00	24.80	22.80	18.40	165
170					39.60	39.00	39.00	35.60	36.00	29.40	24.40	22.40	18.20	170
175						37.60	37.60	35.40	35.60	28.80	24.20	21.80	17.80	175
180						36.20	36.20	35.00	35.20	28.00	24.00	21.40	17.60	180
185						34.80		34.60	34.60	27.40	23.80	21.00	17.40	185
190						32.40		33.40	33.40	26.80	23.60	20.40	17.20	190
195								32.20	32.20	26.20	23.40	20.00	17.00	195
200								31.00	31.00	25.80	23.20	19.60	16.80	200
205								29.80		25.20	23.20	19.20	16.60	205
210										24.80	23.20	18.80	16.40	210
215										24.40	23.20	18.40	16.20	215
220										24.00	23.20	18.00	16.20	220
225										23.80		17.60	16.20	225
230												17.40	16.00	230
235												17.00	16.00	235
240												16.80	16.00	240
245												16.40		245

Load chart

Luffing jib



25,19 m
(82.6 ft)
70°



25 m - 73 m
(82.0 ft - 239.5 ft)



135 000 kg
(297,600 lb)



8,7 m x 8,5 m
(28.5 ft x 27.9 ft)
(100%)



360°



Pounds x 1000

Feet	82.0 0°	101.7 0°	121.4 0°	141.1 0°	160.8 0°	180.5 0°	180.5 22°	200.1 0°	200.1 22°	219.8 0°	219.8 22°	239.5 0°	239.5 22°	Feet
75	101.00													75
80	95.00													80
85	89.00													85
90	83.00	82.00												90
95	78.00	77.00	71.00											95
100	73.00	73.00	71.00											100
105		69.00	68.00	58.00										105
110		65.00	65.00	58.00										110
115		62.00	61.00	58.00	48.00									115
120		59.00	58.00	57.00	48.00									120
125			55.00	54.00	48.00	39.60								125
130			53.00	52.00	48.00	39.60								130
135			50.00	50.00	48.00	39.60	40.20	33.60						135
140			48.00	47.00	47.00	39.60	40.20	33.60						140
145				45.00	45.00	39.60	40.20	33.60	34.00	28.40				145
150				43.40	43.20	39.60	40.20	33.60	34.00	28.40				150
155				41.80	41.40	39.60	40.20	33.60	34.00	28.40		23.40		155
160				40.00	39.80	38.80	38.80	33.60	34.00	28.40	25.20	23.20		160
165					38.20	37.20	37.20	33.60	34.00	28.40	25.00	23.00		165
170					36.80	35.80	35.80	33.60	34.00	28.40	24.60	22.60		170
175					35.40	34.40	34.40	33.60	34.00	28.40	24.40	22.20		175
180					34.00	33.20	33.00	32.60	32.60	28.40	24.20	21.80	18.00	180
185						32.00	31.80	31.40	31.40	28.00	24.00	21.40	17.80	185
190						30.80	30.60	30.40	30.40	27.40	23.80	21.00	17.60	190
195						29.60	29.60	29.20	29.20	27.00	23.60	20.60	17.40	195
200						28.60		28.20	28.20	26.40	23.40	20.20	17.20	200
205								27.20	27.20	26.00	23.20	19.80	17.00	205
210								26.20	26.20	25.60	23.20	19.40	16.80	210
215								25.40	25.40	25.00	23.00	19.00	16.60	215
220								24.40		24.20	23.00	18.80	16.40	220
225										23.40	23.00	18.40	16.20	225
230										22.60	23.00	18.00	16.20	230
235										21.80	22.20	17.60	16.00	235
240												17.40	16.00	240
245												17.00	16.00	245
250												16.80		250
255												16.60		255

THIS CHART IS ONLY A GUIDE AND SHOULD NOT BE USED TO OPERATE THE CRANE.

Grove GMK6400 The individual crane's load chart, operating instructions and other instructional plates must be read and understood prior to operating the crane.

Load chart

Luffing jib



34,99 m
(114.8 ft)
70°



25 m - 73 m
(82.0 ft - 239.5 ft)



135 000 kg
(297,600 lb)



8,7 m x 8,5 m
(28.5 ft x 27.9 ft)
(100%)



360°



Pounds x 1000

Feet	82.0 0°	101.7 0°	121.4 0°	141.1 0°	160.8 0°	180.5 0°	180.5 22°	200.1 0°	200.1 22°	219.8 0°	219.8 22°	239.5 0°	239.5 22°	Feet
90	72.00													90
95	71.00													95
100	70.00	59.00												100
105	66.00	59.00												105
110	63.00	59.00												110
115	59.00	59.00	47.00											115
120		56.00	47.00	40.00										120
125		53.00	47.00	39.80										125
130		51.00	47.00	39.80										130
135		48.00	47.00	39.80	33.20									135
140			46.00	39.80	32.80	27.40								140
145			44.00	39.80	32.80	27.20	27.20							145
150			42.00	39.80	32.80	26.60	27.00							150
155			40.40	39.60	32.80	26.60	27.00	23.00						155
160				38.00	32.80	26.60	27.00	22.60	23.40	19.20				160
165				36.40	32.80	26.60	27.00	22.40	23.20	19.20		15.60		165
170				35.00	32.80	26.40	27.00	22.40	23.00	19.20		15.60		170
175				33.60	32.80	26.40	27.00	22.40	23.00	19.20		15.60		175
180					32.00	26.40	27.00	22.40	23.00	19.20	19.80	15.60		180
185					30.80	26.40	27.00	22.40	22.80	19.20	19.80	15.60		185
190					29.60	26.40	27.00	22.40	22.60	19.20	19.80	15.60		190
195					28.40	26.40	27.00	22.40	22.60	19.20	19.60	15.60	16.20	195
200						26.40	26.80	22.40	22.60	19.20	19.60	15.60	16.20	200
205						26.00		22.40	22.60	19.20	19.60	15.60	16.20	205
210						25.00		22.40	22.60	19.20	19.60	15.60	16.20	210
215						24.00		22.40	22.60	19.20	19.60	15.60	16.20	215
220								22.40	22.60	19.20	19.60	15.60	16.20	220
225								22.20		19.20	19.60	15.60	16.20	225
230								21.40		19.20	19.60	15.60	16.20	230
235								20.60		19.20	19.60	15.60	16.00	235
240										19.20	19.60	15.60	15.80	240
245										19.00		15.60	15.80	245
250												15.60	15.80	250
255												15.60	15.80	255
260												15.60	15.80	260
265												15.60		265

THIS CHART IS ONLY A GUIDE AND SHOULD NOT BE USED TO OPERATE THE CRANE.

The individual crane's load chart, operating instructions and other instructional plates must be read and understood prior to operating the crane.

Load chart

Luffing jib



44,79 m
(147.0 ft)
70°



25 m - 73 m
(82.0 ft - 239.5 ft)



135 000 kg
(297,600 lb)



8,7 m x 8,5 m
(28.5 ft x 27.9 ft)
(100%)



360°



Pounds x 1000

Feet	82.0 0°	101.7 0°	121.4 0°	141.1 0°	160.8 0°	180.5 0°	180.5 22°	200.1 0°	200.1 22°	219.8 0°	219.8 22°	239.5 0°	239.5 22°	Feet
100	239.50													100
105	40.40													105
110	38.80													110
115	37.20	35.20												115
120	35.40	34.00												120
125	33.80	32.80	30.80											125
130	32.20	31.40	30.00											130
135		30.20	28.80	26.00										135
140		28.80	27.00	25.00										140
145		26.60	25.40	24.00	22.60									145
150		24.80	24.20	23.20	22.00									150
155			23.40	22.40	21.40									155
160			22.40	21.40	20.80	18.80	19.00							160
165			21.40	20.60	20.00	18.20	18.40	15.80						165
170			20.40	19.80	19.20	17.80	18.00	15.80		13.00				170
175				19.00	18.40	17.20	17.40	15.80		13.00				175
180				18.20	17.80	16.60	16.80	15.40	15.80	13.00		10.20		180
185				17.40	17.20	16.00	16.20	15.00	15.40	13.00		10.20		185
190				16.60	16.40	15.40	15.60	14.60	15.00	13.00		10.20		190
195					15.80	14.80	15.00	14.20	14.60	12.80	13.60	10.20		195
200					15.20	14.20	14.40	13.60	14.00	12.40	13.20	10.20		200
205					14.40	13.60	13.80	13.20	13.40	12.00	13.00	10.20	10.80	205
210						13.20	13.20	12.60	13.00	11.60	12.60	10.20	10.80	210
215						12.60	12.80	12.20	12.40	11.20	12.00	10.20	10.80	215
220						12.00		11.60	12.00	10.80	11.60	10.20	10.80	220
225						11.40		11.20	11.40	10.40	11.20	10.00	10.60	225
230								10.60	11.00	10.00	10.80	9.80	10.20	230
235								10.20	10.60	9.60	10.40	9.40	9.80	235
240								9.80	10.00	9.20	9.80	9.00	9.40	240
245								9.20		8.80	9.40	8.60	9.00	245
250										8.40	9.00	8.20	8.60	250
255										8.00	8.60	7.80	8.40	255
260												7.40	8.00	260
265												7.20	7.60	265
270												6.80	7.20	270
275												6.40	6.80	275
280												6.00		280

THIS CHART IS ONLY A GUIDE AND SHOULD NOT BE USED TO OPERATE THE CRANE.

Grove GMK6400 The individual crane's load chart, operating instructions and other instructional plates must be read and understood prior to operating the crane.

Load chart

Luffing jib



54,59 m
(179.1 ft)
70°



25 m - 67 m
(82.0 ft - 219,8 ft)



135 000 kg
(297,600 lb)



8,7 m x 8,5 m
(28.5 ft x 27.9 ft)
(100%)



360°



Pounds x 1000

Feet	82.0 0°	101.7 0°	121.4 0°	141.1 0°	160.8 0°	180.5 0°	22°	200.1 0°	22°	219.8 0°	22°	Feet
120	25.80											120
125	25.00	21.80										125
130	24.00	21.80										130
135	23.20	21.20										135
140	22.60	20.60	18.80									140
145		20.00	18.20									145
150		19.20	17.60									150
155		18.60	17.20	15.20								155
160		18.00	16.60	14.80								160
165			16.00	14.20	12.80							165
170			15.60	13.80	12.40							170
175			15.20	13.40	12.00	10.20						175
180			14.60	13.00	11.80	9.80	10.00					180
185				12.60	11.40	9.60	9.80	8.20				185
190				12.20	11.00	9.40	9.40	8.00				190
195				11.80	10.60	9.00	9.20	7.80	8.00	6.00		195
200				11.40	10.40	8.80	8.80	7.60	7.80	6.00		200
205					10.00	8.40	8.60	7.20	7.60	6.00		205
210					9.60	8.20	8.20	7.00	7.40	6.00	6.40	210
215					9.40	7.80	8.00	6.80	7.00	5.80	6.20	215
220					9.00	7.60	7.60	6.60	6.80	5.60	6.00	220
225						7.20	7.40	6.20	6.60	5.40	5.80	225
230						7.00	7.20	6.00	6.20	5.20	5.60	230
235						6.80	6.80	5.80	6.00	5.00	5.40	235
240						6.40		5.60	5.80	4.80	5.20	240
245								5.40	5.60	4.60	5.00	245
250								5.20	5.40	4.40	4.80	250
255								4.80	5.20	4.20	4.40	255
260								4.60		4.00	4.20	260
265										3.80	4.00	265
270										3.60	3.80	270
275											3.60	275

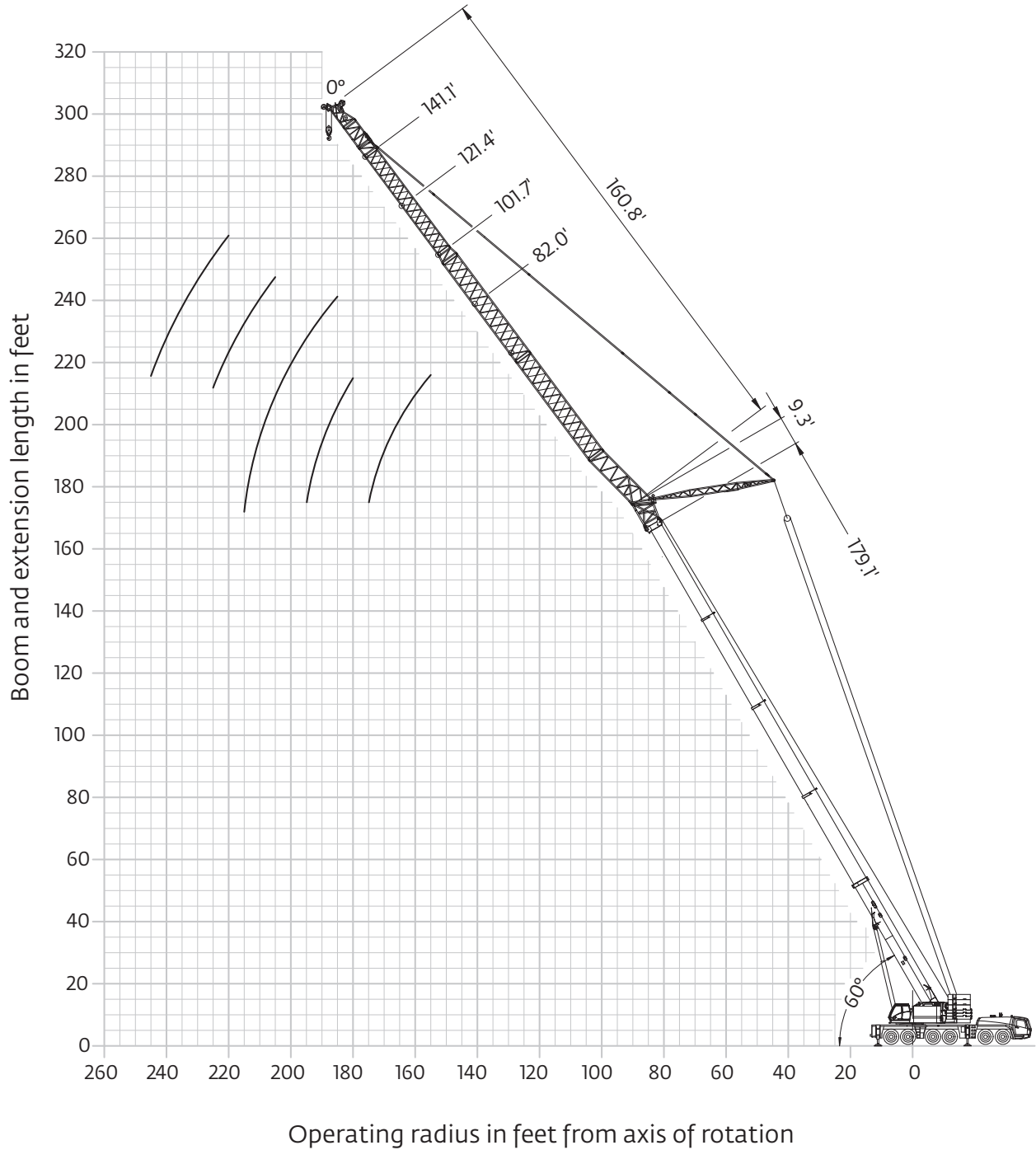
THIS CHART IS ONLY A GUIDE AND SHOULD NOT BE USED TO OPERATE THE CRANE.

The individual crane's load chart, operating instructions and other instructional plates must be read and understood prior to operating the crane.

Working range

Luffing jib

Main boom and luffing jib - 60°



Hook heights shown in the working diagram do not consider loaded boom deflection.

THIS CHART IS ONLY A GUIDE AND SHOULD NOT BE USED TO OPERATE THE CRANE.

Grove GMK6400 *The individual crane's load chart, operating instructions and other instructional plates must be read and understood prior to operating the crane.*

Load chart

Luffing jib



15,39 m
(50.5 ft)
60°



25 m - 73 m
(82.0 ft - 239.5 ft)



135 000 kg
(297,600 lb)



8,7 m x 8,5 m
(28.5 ft x 27.9 ft)
(100%)



360°



Pounds x 1000

Feet	82.0 0°	101.7 0°	121.4 0°	141.1 0°	160.8 0°	180.5 0°	180.5 22°	200.1 0°	200.1 22°	219.8 0°	219.8 22°	239.5 0°	239.5 22°	Feet
90	85.00													90
95	80.00	79.00												95
100	75.00	75.00												100
105		71.00												105
110		67.00												110
115		64.00	63.00											115
120		60.00	60.00	58.00										120
125			57.00	56.00										125
130			54.00	53.00										130
135			52.00	51.00	49.00									135
140			50.00	49.00	48.00									140
145				47.00	46.00	41.20								145
150				45.00	44.00	41.00								150
155				43.00	42.60	40.60	40.80							155
160				41.20	41.00	40.00	39.80	35.20						160
165					39.40	38.40	38.40	35.20	35.40					165
170					37.80	36.80	36.80	35.00	35.20					170
175					36.40	35.40	35.40	34.80	35.00	29.60				175
180						34.20	34.20	33.80	33.80	29.20				180
185						32.80	32.80	32.40	32.40	28.80	24.00	21.60		185
190						31.80	31.60	31.40	31.40	28.00	23.80	21.20		190
195						30.60		30.20	30.20	27.40	23.60	20.80		195
200								29.20	29.20	26.60	23.40	20.20		200
205								28.20	28.20	26.00	23.20	19.80	16.80	205
210								27.20		25.60	23.20	19.40	16.80	210
215								26.20		25.20	23.00	19.00	16.60	215
220										24.80	23.00	18.60	16.40	220
225										24.20	23.00	18.20	16.20	225
230										23.40		18.00	16.20	230
235										22.80		17.60	16.00	235
240												17.20	16.00	240
245												17.00	16.00	245
250												16.60		250
255												16.40		255

Load chart

Luffing jib



25,19 m
(82.6 ft)
60°



25 m - 73 m
(82.0 ft - 239.5 ft)



135 000 kg
(297,600 lb)



8,7 m x 8,5 m
(28.5 ft x 27.9 ft)
(100%)



360°



Pounds x 1000

Feet	82.0 0°	101.7 0°	121.4 0°	141.1 0°	160.8 0°	180.5 0°	180.5 22°	200.1 0°	200.1 22°	219.8 0°	219.8 22°	239.5 0°	239.5 22°	Feet
100	68.00													100
105	64.00													105
110	61.00													110
115	58.00	57.00												115
120		54.00												120
125		52.00	51.00											125
130		49.00	48.00											130
135		47.00	46.00											135
140			44.00	43.20										140
145			42.20	41.20										145
150			40.40	39.60										150
155			38.80	37.80	37.40									155
160				36.40	36.00									160
165				35.00	34.60	33.40								165
170				33.60	33.20	32.20								170
175				32.20	32.00	30.80	30.80							175
180					30.80	29.60	29.60	29.20						180
185					29.60	28.60	28.60	28.00	28.00					185
190					28.40	27.40	27.40	27.00	27.00					190
195					27.40	26.40	26.40	26.00	26.00	25.60				195
200						25.40	25.40	25.00	25.00	24.60				200
205						24.60	24.60	24.20	24.20	23.80	23.60	20.80		205
210						23.60		23.20	23.20	22.80	23.20	20.40		210
215						22.80		22.40	22.40	22.00	22.40	20.20		215
220								21.60	21.60	21.20	21.60	19.80		220
225								20.80	20.80	20.60	20.80	19.40	16.60	225
230								20.20		19.80	20.20	19.00	16.00	230
235								19.40		19.20	19.40	18.60	16.40	235
240										18.60	18.80	18.20	16.20	240
245										17.80	18.20	17.60	16.00	245
250										17.20		17.00	16.00	250
255										16.60		16.40	16.00	255
260												16.00	16.00	260
265												15.40	15.40	265
270												14.80		270
275												14.40		275

THIS CHART IS ONLY A GUIDE AND SHOULD NOT BE USED TO OPERATE THE CRANE.

Grove GMK6400 The individual crane's load chart, operating instructions and other instructional plates must be read and understood prior to operating the crane.

Load chart

Luffing jib



34,99 m
(114.8 ft)
60°



25 m - 73 m
(82.0 ft - 239.5 ft)



135 000 kg
(297,600 lb)



8,7 m x 8,5 m
(28.5 ft x 27.9 ft)
(100%)



360°



Pounds x 1000

Feet	82.0 0°	101.7 0°	121.4 0°	141.1 0°	160.8 0°	180.5 0°	180.5 22°	200.1 0°	200.1 22°	219.8 0°	219.8 22°	239.5 0°	239.5 22°	Feet
120	51.00													120
125	48.00													125
130	46.00													130
135	43.80	43.20												135
140		41.40												140
145		39.60	38.80											145
150		37.80	37.00											150
155		36.20	35.60											155
160			34.00	33.00										160
165			32.80	31.80										165
170			31.40	30.60										170
175			30.20	29.40	28.60									175
180				28.20	27.60									180
185				27.20	26.40	25.80								185
190				26.00	25.40	24.80								190
195				25.00	24.60	23.80	23.80							195
200					23.60	22.80	22.80	22.20						200
205					22.80	22.00	22.00	21.60	21.40					205
210					22.00	21.20	21.20	20.80	20.60	19.00				210
215					21.20	20.40	20.40	20.00	20.00	19.00				215
220						19.60	19.60	19.20	19.20	18.80				220
225						19.00		18.60	18.60	18.20	18.20	16.40		225
230						18.20		18.00	17.80	17.60	17.40	16.40		230
235						17.60		17.20	17.20	16.80	16.80	16.20		235
240								16.60	16.60	16.20	16.20	15.60		240
245								16.00		15.80	15.60	15.00	15.20	245
250										15.20	15.20	14.40	14.60	250
255										14.60	14.60	13.80	14.00	255
260										14.00	14.00	13.40	13.40	260
265										13.40		12.80	12.80	265
270												12.20	12.20	270
275												11.80	11.80	275
280												11.20	11.20	280
285												10.80		285

Load chart

Luffing jib

44,79 m (147.0 ft) 60°
 25 m - 73 m (82.0 ft - 239.5 ft)
 135 000 kg (297,600 lb)
 8,7 m x 8,5 m (28.5 ft x 27.9 ft) (100%)
 360°

Pounds x 1000

Feet	82.0 0°	101.7 0°	121.4 0°	141.1 0°	160.8 0°	180.5 0°	200.1 22°	219.9 0°	239.5 22°	Feet
140	26.00									140
145	25.00									145
150	24.20									150
155	23.40	22.00								155
160		21.20								160
165		20.40	19.40							165
170		19.80	18.60							170
175		19.00	18.00							175
180			17.40	16.00						180
185			16.80	15.40						185
190			16.40	15.00						190
195			15.80	14.40	13.40					195
200				14.00	13.00					200
205				13.40	12.60	11.20				205
210					12.20	10.80	10.80			210
215					11.80	10.40	10.40			215
220					11.40	10.00	10.00	9.00		220
225					11.00	9.60	9.80	8.80	9.00	225
230						9.20	9.40	8.40	8.60	230
235						9.00	9.00	8.00	8.40	235
240						8.60	8.60	7.80	8.00	240
245						8.20		7.40	7.60	245
250								7.20	7.40	250
255								6.80	7.00	255
260								6.60	6.80	260
265								6.40	6.60	265
270								5.80	6.00	270
275								5.60	5.80	275
280								5.20	5.40	280
285								4.80	5.00	285
290									5.20	290
295									4.40	295
300									3.80	300

54,59 m (179.1 ft) 60°
 25 m - 49 m (82.0 ft - 160.8 ft)
 135 000 kg (297,600 lb)
 8,7 m x 8,5 m (28.5 ft x 27.9 ft) (100%)
 360°

Pounds x 1000

Feet	82.0 0°	101.7 0°	121.4 0°	141.1 0°	160.8 0°	Feet
155	15.60					155
160	15.40					160
165	14.80					165
170	14.20					170
175	13.80					175
180		11.80				180
185		11.40	10.20			185
190		11.00	9.80			190
195		10.60	9.40			195
200			9.20			200
205			8.80	7.40		205
210			8.40	7.00		210
215			8.00	6.80		215
220				6.40	5.60	220
225				6.20	5.20	225
230					5.00	230
235					4.80	235
240					4.40	240
245					4.20	245

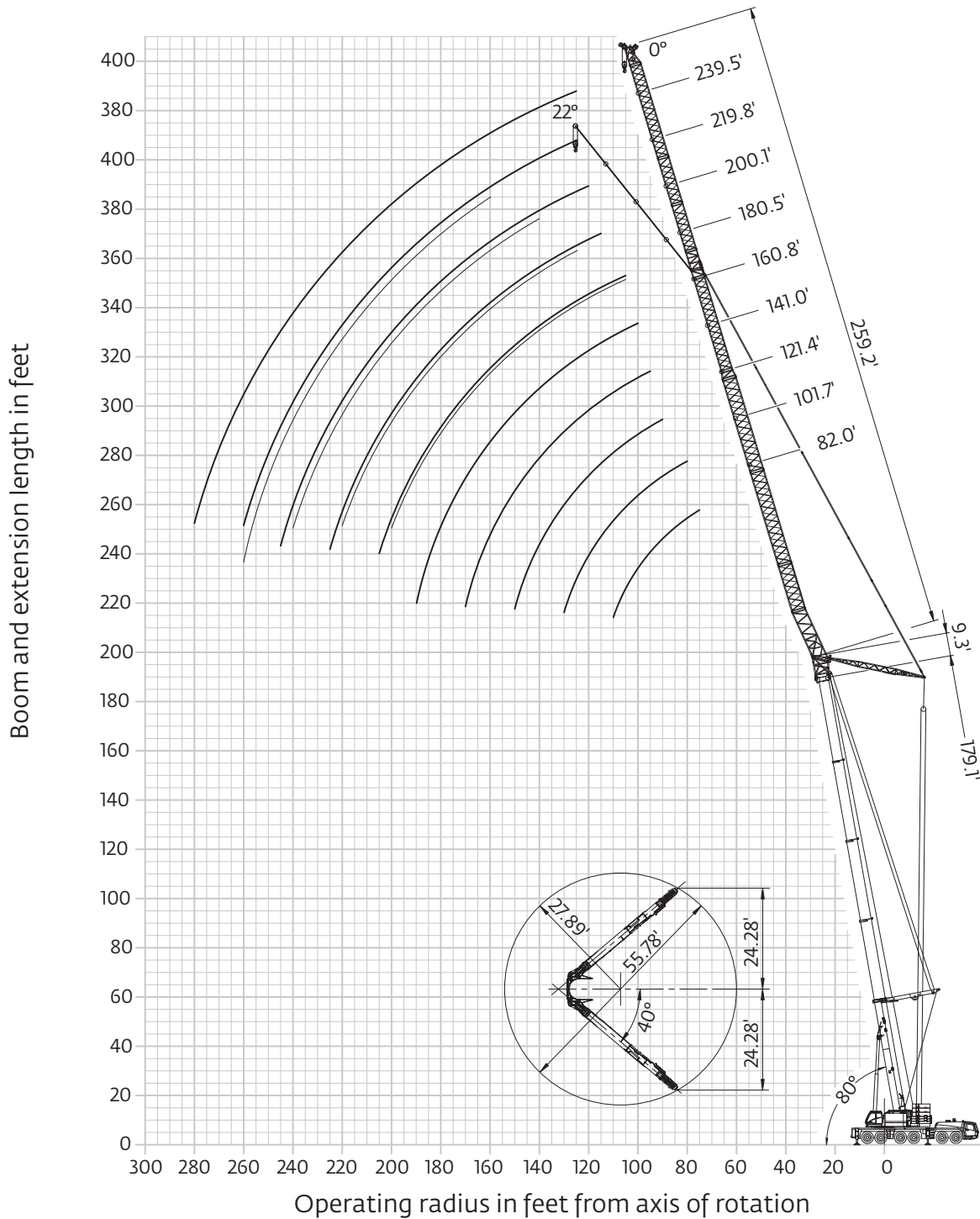
THIS CHART IS ONLY A GUIDE AND SHOULD NOT BE USED TO OPERATE THE CRANE.

Grove GMK6400 The individual crane's load chart, operating instructions and other instructional plates must be read and understood prior to operating the crane.

Working range

Luffing jib with MegaWingLift™

Main boom, luffing jib and MegaWingLift™ - 80°




THIS CHART IS ONLY A GUIDE AND SHOULD NOT BE USED TO OPERATE THE CRANE.


The individual crane's load chart, operating instructions and other instructional plates must be read and understood prior to operating the crane.

Load chart


Luffing jib with MegaWingLift™




34,99 m
(114.8 ft)
80°




25 m - 79 m
(82.0 ft - 259.2 ft)





135 000 kg
(297,600 lb)



8,7 m x 8,5 m
(28.5 ft x 27.9 ft)
(100%)



360°


Pounds x 1000


Feet	82.0 0°	101.7 0°	121.4 0°	141.1 0°	160.8 0°	180.5 0°	200.1 22°	219.8 0°	239.5 22°	259.2 0°	Feet				
55	126.00										55				
60	117.00	106.00									60				
65	109.00	106.00									65				
70	103.00	101.00	84.00								70				
75	97.00	95.00	84.00	68.00							75				
80	91.00	89.00	84.00	68.00	56.00						80				
85	87.00	85.00	83.00	68.00	56.00						85				
90	83.00	80.00	78.00	68.00	56.00	44.00					90				
95	81.00	76.00	74.00	68.00	56.00	44.00	46.00	36.80			95				
100		73.00	71.00	68.00	56.00	44.00	46.00	36.80	30.60		100				
105		70.00	68.00	66.00	56.00	44.00	46.00	36.80	38.40	30.60	25.20	105			
110		68.00	65.00	63.00	56.00	44.00	46.00	36.80	38.40	30.60	25.20	110			
115		66.00	62.00	61.00	56.00	44.00	46.00	36.80	38.40	30.60	25.20	19.80	115		
120			60.00	58.00	56.00	44.00	46.00	36.80	38.40	30.60	29.00	25.20	19.80	120	
125			58.00	56.00	54.00	44.00	46.00	36.80	38.40	30.60	28.40	25.20	19.80	125	
130			56.00	54.00	52.00	44.00	46.00	36.80	38.40	30.60	27.80	25.20	19.80	130	
135			54.00	52.00	50.00	44.00	46.00	36.80	38.40	30.60	27.20	25.20	20.80	19.80	135
140				50.00	48.00	44.00	46.00	36.80	38.20	30.60	26.80	25.20	20.40	19.80	140
145				48.00	46.00	44.00	45.00	36.80	37.80	30.60	26.40	25.20	20.00	19.80	145
150				47.00	45.00	43.40	43.40	36.80	37.60	30.60	26.00	25.00	19.60	19.80	150
155					43.40	41.80	41.80	36.80	37.40	30.60	25.60	24.40	19.40	19.80	155
160					42.20	40.40	40.20	36.80	37.20	30.60	25.40	23.80	19.00	19.40	160
165					41.00	39.00	39.00	36.80	37.20	30.60	25.00	23.40	18.60	18.80	165
170					40.00	37.80	37.80	36.80	36.60	30.20	24.80	22.80	18.40	18.40	170
175						36.80	36.60	35.60	35.40	29.40	24.40	22.40	18.00	18.00	175
180						35.60	35.60	34.40	34.20	28.60	24.20	21.80	17.80	17.60	180
185						34.80		33.40	33.20	28.00	24.00	21.40	17.60	17.20	185
190						33.80		32.40	32.20	27.20	23.80	20.80	17.40	16.60	190
195								31.40	31.20	26.80	23.60	20.40	17.20	16.20	195
200								30.60	30.40	26.20	23.40	20.00	17.00	15.80	200
205								30.00		25.80	23.40	19.40	16.80	15.60	205
210										25.20	23.20	19.00	16.60	15.20	210
215										24.80	23.20	18.60	16.40	14.80	215
220										24.40	23.20	18.20	16.40	14.40	220
225										24.00		18.00	16.20	14.20	225
230												17.60	16.20	13.80	230
235												17.20	16.20	13.60	235
240												17.00	16.20	13.20	240
245												16.60		13.00	245
250														12.60	250
255														12.40	255
260														12.20	260
265														12.00	265

THIS CHART IS ONLY A GUIDE AND SHOULD NOT BE USED TO OPERATE THE CRANE.

Grove GMK6400 The individual crane's load chart, operating instructions and other instructional plates must be read and understood prior to operating the crane.

Load chart

Luffing jib with MegaWingLift™



39,89 m
(130.9 ft)
80°



25 m - 79 m
(82.0 ft - 259.2 ft)



135 000 kg
(297,600 lb)



8,7 m x 8,5 m
(28.5 ft x 27.9 ft)
(100%)



360°



Pounds x 1000

Feet	82.0 0°	101.7 0°	121.4 0°	141.1 0°	160.8 0°	180.5 0°	180.5 22°	200.1 0°	200.1 22°	219.8 0°	219.8 22°	239.5 0°	239.5 22°	259.2 0°	Feet
60	112.00														60
65	104.00														65
70	98.00	96.00													70
75	92.00	90.00	82.00												75
80	87.00	85.00	82.00	67.00											80
85	83.00	81.00	80.00	67.00											85
90	79.00	77.00	75.00	67.00	55.00										90
95	76.00	73.00	72.00	67.00	55.00	44.00									95
100		70.00	68.00	66.00	55.00	44.00	46.00	36.60							100
105		67.00	65.00	63.00	55.00	44.00	46.00	36.60		30.60		25.20			105
110		64.00	62.00	60.00	55.00	44.00	46.00	36.60		30.60		25.20			110
115		62.00	59.00	58.00	55.00	44.00	46.00	36.60	38.20	30.60		25.20		20.20	115
120			57.00	55.00	54.00	44.00	46.00	36.60	38.20	30.60		25.20		20.20	120
125			55.00	53.00	52.00	44.00	46.00	36.60	38.20	30.60	28.60	25.20		20.20	125
130			53.00	51.00	50.00	44.00	46.00	36.60	38.20	30.60	28.00	25.20		20.20	130
135			52.00	49.00	48.00	44.00	46.00	36.60	38.20	30.60	27.40	25.20		20.20	135
140				47.00	46.00	44.00	44.00	36.60	37.80	30.60	27.00	25.20	20.60	20.20	140
145				46.00	44.00	42.80	42.60	36.60	37.60	30.60	26.60	25.20	20.20	20.20	145
150				44.00	42.40	41.20	41.00	36.60	37.40	30.60	26.20	25.00	19.80	20.20	150
155				43.40	41.00	39.60	39.60	36.60	37.20	30.60	25.80	24.40	19.40	20.00	155
160					39.80	38.20	38.20	36.60	37.00	30.60	25.60	23.80	18.80	19.60	160
165					38.60	36.80	36.80	36.00	35.80	30.60	25.20	23.40	18.60	19.20	165
170					37.60	35.60	35.60	34.60	34.60	30.40	25.00	22.80	18.20	18.60	170
175					36.80	34.60	34.40	33.40	33.40	29.80	24.60	22.40	18.00	18.20	175
180						33.60	33.40	32.40	32.20	29.00	24.40	21.80	17.80	17.80	180
185						32.60	32.60	31.40	31.20	28.40	24.00	21.40	17.60	17.40	185
190						31.80	31.80	30.40	30.20	27.60	24.00	20.80	17.20	17.00	190
195						31.20		29.60	29.40	27.00	23.80	20.40	17.00	16.40	195
200								28.60	28.40	26.60	23.60	20.00	16.80	16.00	200
205								28.00	27.80	26.00	23.40	19.40	16.80	15.80	205
210								27.40		25.60	23.40	19.00	16.60	15.40	210
215								27.00		25.20	23.20	18.60	16.40	15.00	215
220										24.80	23.20	18.20	16.40	14.60	220
225										24.20	23.20	18.00	16.20	14.40	225
230										22.00		17.60	16.20	14.00	230
235										21.60		17.20	16.20	13.80	235
240												17.00	16.20	13.40	240
245												16.60	16.20	13.20	245
250												16.20		12.80	250
255														12.60	255
260														12.40	260
265														12.20	265

THIS CHART IS ONLY A GUIDE AND SHOULD NOT BE USED TO OPERATE THE CRANE.

The individual crane's load chart, operating instructions and other instructional plates must be read and understood prior to operating the crane.

Load chart

Luffing jib with MegaWingLift™



44,79 m
(147.0 ft)
80°



25 m - 79 m
(82.0 ft - 259.2 ft)



135,000 kg
(297,600 lb)



8,7 m x 8,5 m
(28.5 ft x 27.9 ft)
(100%)



360°



Pounds x 1000

Feet	82.0 0°	101.7 0°	121.4 0°	141.1 0°	160.8 0°	180.5 0°	200.1 22°	219.8 0°	239.5 22°	259.2 0°	Feet					
60	107.00										60					
65	100.00										65					
70	94.00	92.00									70					
75	88.00	87.00	79.00								75					
80	83.00	82.00	79.00	64.00							80					
85	79.00	77.00	76.00	64.00							85					
90	75.00	73.00	72.00	64.00	53.00						90					
95	72.00	70.00	69.00	64.00	53.00	43.60					95					
100	69.00	66.00	65.00	64.00	53.00	43.60	43.80	36.60			100					
105		63.00	62.00	61.00	53.00	43.60	43.80	36.60	30.40		105					
110		61.00	59.00	58.00	53.00	43.60	43.80	36.60	30.40		110					
115		59.00	57.00	55.00	53.00	43.60	43.80	36.60	37.00	30.40	25.00	115				
120		57.00	54.00	53.00	52.00	43.60	43.80	36.60	37.00	30.40	25.00	20.60	120			
125			52.00	50.00	50.00	43.60	43.80	36.60	37.00	30.40	29.00	25.00	20.60	125		
130			49.00	48.00	48.00	43.60	43.80	36.60	37.00	30.40	28.40	25.00	20.60	130		
135			48.00	47.00	46.00	43.60	43.80	36.60	37.00	30.40	27.80	25.00	20.60	135		
140				45.00	44.00	42.40	42.40	36.60	37.00	30.40	27.20	25.00	20.80	20.60	140	
145				43.40	42.40	40.80	40.60	36.60	37.00	30.40	26.60	25.00	20.40	20.60	145	
150				42.00	40.80	39.20	39.00	36.60	37.00	30.40	26.40	25.00	20.00	20.60	150	
155				40.80	39.40	37.60	37.60	36.60	36.60	30.40	26.00	24.80	19.60	20.40	155	
160					39.80	38.20	36.20	36.20	35.40	35.20	30.40	25.60	24.20	19.40	19.80	160
165						37.00	35.00	35.00	34.20	34.00	30.40	25.40	23.80	19.00	19.40	165
170						35.80	33.80	33.80	32.80	32.80	30.40	25.00	23.20	18.80	19.00	170
175						35.00	32.60	32.60	31.80	31.60	30.00	24.80	22.80	18.40	18.40	175
180							31.60	31.60	30.60	30.40	29.40	24.40	22.40	18.20	18.00	180
185							30.80	30.60	29.60	29.40	28.80	24.20	21.80	18.00	17.60	185
190							29.80	29.80	28.60	28.40	27.80	24.00	21.40	17.60	17.20	190
195							29.20		27.80	27.60	27.00	23.80	21.00	17.40	16.80	195
200								27.00	26.80	26.00	23.60	20.40	17.20	16.40	200	
205								26.20	26.00	25.20	23.40	20.00	17.00	16.00	205	
210								25.60		24.40	23.40	19.60	16.80	15.60	210	
215								25.00		23.80	23.20	19.20	16.60	15.20	215	
220										23.20	23.00	18.80	16.60	14.80	220	
225										22.60	22.40	18.40	16.40	14.60	225	
230										20.60		18.00	16.20	14.20	230	
235										20.00		17.80	16.20	13.80	235	
240										19.60		17.40	16.20	13.60	240	
245												17.20	16.20	13.40	245	
250												16.80		13.00	250	
255												16.60		12.80	255	
260														12.60	260	
265														12.20	265	
270														12.00	270	
275														11.80	275	

THIS CHART IS ONLY A GUIDE AND SHOULD NOT BE USED TO OPERATE THE CRANE.

Grove GMK6400 The individual crane's load chart, operating instructions and other instructional plates must be read and understood prior to operating the crane.

Load chart

Luffing jib with MegaWingLift™



49,69 m
(163.0 ft)
80°



25 m - 79 m
(82.0 ft - 259.2 ft)



135,000 kg
(297,600 lb)



8,7 m x 8,5 m
(28.5 ft x 27.9 ft)
(100%)



360°



Pounds x 1000

Feet	82.0 0°	101.7 0°	121.4 0°	141.1 0°	160.8 0°	180.5 0°	22°	200.1 0°	22°	219.8 0°	22°	239.5 0°	22°	259.2 0°	Feet
70	89.00														70
75	84.00	83.00													75
80	79.00	79.00	74.00												80
85	75.00	74.00	73.00												85
90	71.00	70.00	69.00	61.00											90
95	68.00	67.00	66.00	61.00	50.00										95
100	65.00	64.00	63.00	61.00	50.00	41.40									100
105	62.00	61.00	60.00	58.00	50.00	41.40	42.00	35.00							105
110	61.00	58.00	57.00	55.00	50.00	41.40	42.00	35.00							110
115		56.00	54.00	53.00	50.00	41.40	42.00	35.00		29.80					115
120		54.00	52.00	50.00	50.00	41.40	42.00	35.00	35.20	29.80		24.60		20.80	120
125			50.00	48.00	48.00	41.40	42.00	35.00	35.20	29.80		24.60		20.80	125
130			48.00	46.00	46.00	41.40	42.00	35.00	35.20	29.80		24.60		20.80	130
135			46.00	45.00	43.80	41.40	42.00	35.00	35.20	29.80	28.00	24.60		20.80	135
140			45.00	42.80	42.00	40.60	40.60	35.00	35.20	29.80	27.40	24.60		20.80	140
145				41.20	40.40	39.00	38.80	35.00	35.20	29.80	26.80	24.60	20.60	20.80	145
150				39.80	39.00	37.40	37.40	35.00	35.20	29.80	26.40	24.60	20.20	20.80	150
155				38.60	37.60	36.00	35.80	35.00	35.00	29.80	26.00	24.60	19.80	20.40	155
160				37.60	36.20	34.60	34.60	33.80	33.60	29.80	25.80	24.20	19.60	20.00	160
165					35.00	33.40	33.20	32.40	32.40	29.80	25.40	23.80	19.20	19.60	165
170					34.00	32.20	32.00	31.20	31.20	29.80	25.20	23.40	19.00	19.00	170
175					33.00	31.00	31.00	30.20	30.00	29.40	24.80	23.00	18.60	18.60	175
180					32.20	30.00	29.00	29.00	29.00	28.40	24.60	22.60	18.40	18.20	180
185						30.00	28.20	28.00	28.00	27.40	24.40	22.00	18.00	17.80	185
190						29.00	27.40	27.20	27.00	26.40	24.20	21.60	17.80	17.40	190
195						28.20		26.20	26.00	25.40	23.80	21.20	17.60	17.00	195
200						27.40		25.40	25.20	24.60	23.80	20.80	17.40	16.60	200
205						26.80		24.60	24.60	23.80	23.60	20.40	17.20	16.20	205
210								24.00	23.80	23.00	23.00	20.00	17.00	15.80	210
215								23.40	23.20	22.40	22.20	19.40	16.80	15.40	215
220								22.80		21.60	21.60	19.00	16.60	15.20	220
225										21.00	21.00	18.80	16.40	14.80	225
230										20.60	20.40	18.40	16.40	14.40	230
235										20.00	19.80	18.00	16.20	14.20	235
240										19.60		17.60	16.20	13.80	240
245												17.40	16.00	13.60	245
250												17.00	16.00	13.20	250
255												16.80	16.00	13.00	255
260												16.40		12.80	260
265														12.40	265
270														12.20	270
275														12.00	275

THIS CHART IS ONLY A GUIDE AND SHOULD NOT BE USED TO OPERATE THE CRANE.

The individual crane's load chart, operating instructions and other instructional plates must be read and understood prior to operating the crane.

Load chart

Luffing jib with MegaWingLift™



54,59 m
(179.1 ft)
80°



25 m - 79 m
(82.0 ft - 259.2 ft)



135 000 kg
(297,600 lb)



8,7 m x 8,5 m
(28.5 ft x 27.9 ft)
(100%)



360°



Pounds x 1000

Feet	82.0 0°	101.7 0°	121.4 0°	141.1 0°	160.8 0°	180.5 0°	180.5 22°	200.1 0°	200.1 22°	219.8 0°	219.8 22°	239.5 0°	239.5 22°	259.2 0°	Feet
75	81.00														75
80	76.00	75.00													80
85	72.00	71.00													85
90	68.00	67.00	67.00												90
95	65.00	64.00	63.00	58.00											95
100	62.00	61.00	60.00	58.00	48.00										100
105	59.00	58.00	57.00	56.00	48.00	39.20	39.60								105
110	57.00	55.00	54.00	53.00	48.00	39.20	39.60								110
115		53.00	52.00	51.00	48.00	39.20	39.60	33.20							115
120		51.00	50.00	48.00	48.00	39.20	39.60	33.20		28.20					120
125		49.00	48.00	46.00	48.00	39.20	39.60	33.20	33.60	28.20		23.40		19.60	125
130		48.00	46.00	44.00	43.80	39.20	39.60	33.20	33.60	28.20		23.40		19.60	130
135			44.00	42.40	42.00	39.20	39.60	33.20	33.60	28.20		23.40		19.60	135
140			42.60	40.80	40.20	38.80	38.60	33.20	33.60	28.20	26.80	23.40		19.60	140
145			41.40	39.20	38.60	37.20	37.00	33.20	33.60	28.20	26.40	23.40		19.60	145
150			40.20	37.80	37.20	35.60	35.60	33.20	33.60	28.20	26.20	23.40		19.60	150
155				36.60	35.80	34.20	34.20	33.20	33.40	28.20	26.00	23.40		19.60	155
160				35.40	34.60	33.00	32.80	32.00	32.00	28.20	25.60	23.40	19.60	19.60	160
165				34.40	33.40	31.60	31.60	30.80	30.80	28.20	25.40	23.40	19.40	19.40	165
170				33.60	32.20	30.60	30.40	29.60	29.60	28.20	25.20	23.20	19.00	19.00	170
175					31.20	29.40	29.40	28.60	28.40	28.00	24.80	23.00	18.80	18.60	175
180					30.20	28.40	28.40	27.60	27.40	26.80	24.60	22.60	18.60	18.40	180
185					29.60	27.40	27.40	26.60	26.40	25.80	24.40	22.20	18.20	18.00	185
190					29.00	26.60	26.40	25.60	25.60	25.00	24.20	21.80	18.00	17.60	190
195						25.80	25.60	24.80	24.60	24.00	24.00	21.40	17.80	17.20	195
200						25.00	25.00	24.00	23.80	23.20	23.80	21.00	17.60	16.80	200
205						24.40		23.20	23.00	22.40	23.00	20.60	17.20	16.40	205
210								22.40	22.40	21.60	22.20	20.20	17.00	16.00	210
215								21.80	21.60	21.00	21.40	19.80	16.80	15.60	215
220								21.20	21.20	20.20	20.80	19.40	16.60	15.40	220
225								20.80		19.60	20.20	19.00	16.60	15.00	225
230										19.20	19.60		16.40	14.60	230
235										18.60	19.00		16.40	14.40	235
240										18.20	18.60		16.20	14.00	240
245										17.80			16.20	13.80	245
250													16.00	13.40	250
255													16.00	13.20	255
260													15.60	13.00	260
265														12.60	265
270														12.40	270
275														12.20	275
280														12.00	280

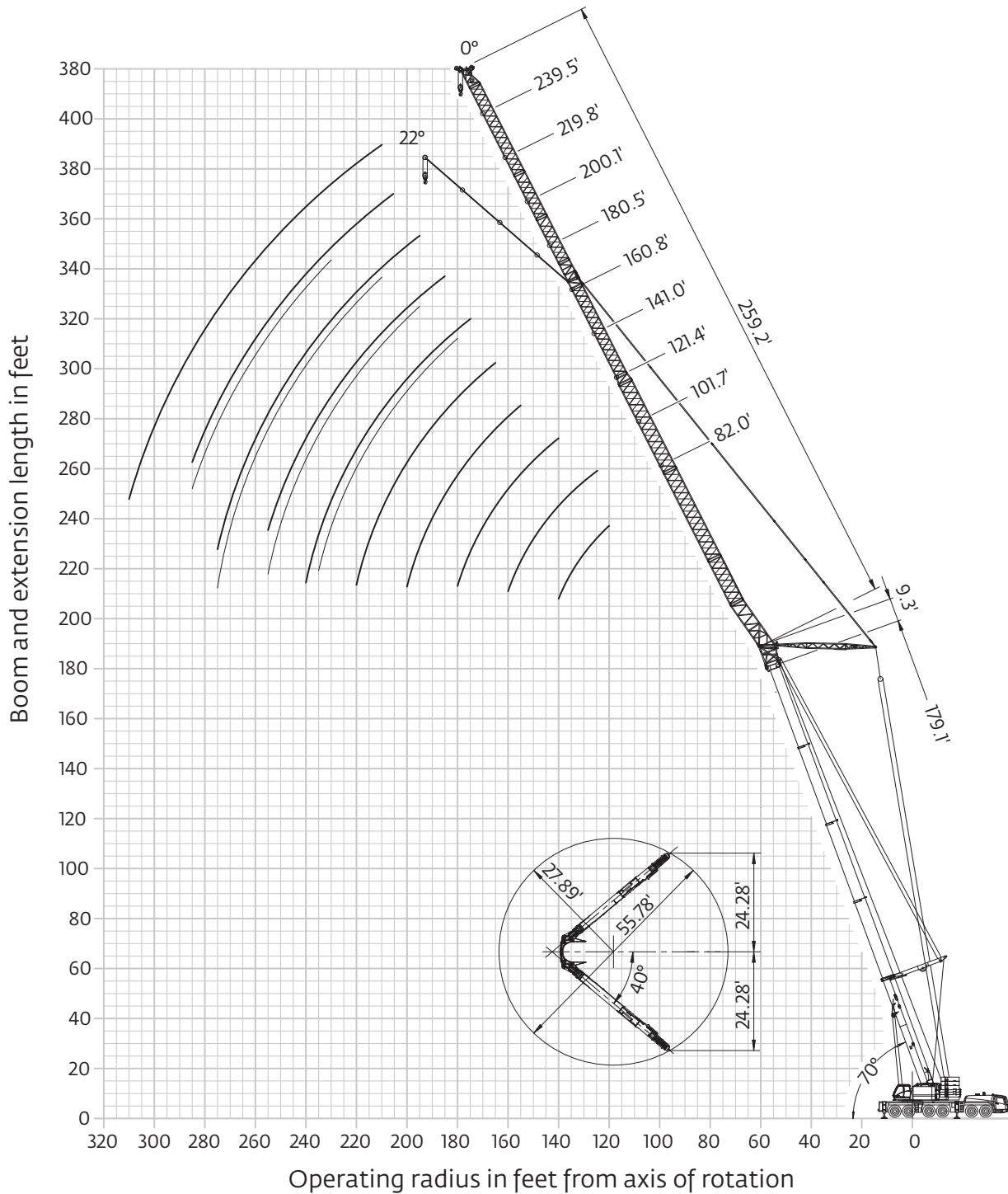
THIS CHART IS ONLY A GUIDE AND SHOULD NOT BE USED TO OPERATE THE CRANE.

Grove GMK6400 The individual crane's load chart, operating instructions and other instructional plates must be read and understood prior to operating the crane.

Working range

Luffing jib with MegaWingLift™

Main boom, luffing jib and MegaWingLift™ - 70°




Hook heights shown in the working diagram do not consider loaded boom deflection.

THIS CHART IS ONLY A GUIDE AND SHOULD NOT BE USED TO OPERATE THE CRANE.


The individual crane's load chart, operating instructions and other instructional plates must be read and understood prior to operating the crane.

Load chart


Luffing jib with MegaWingLift™




34,99 m
(114.8 ft)
70°




25 m - 79 m
(82.0 ft - 259.2 ft)




135 000 kg
(297,600 lb)




8,7 m x 8,5 m
(28.5 ft x 27.9 ft)
(100%)



360°



 **Pounds x 1000**

Feet	82.0 0°	101.7 0°	121.4 0°	141.1 0°	160.8 0°	180.5 0°	22°	200.1 0°	22°	219.8 0°	22°	239.5 0°	22°	259.2 0°	Feet
90	78.00														90
95	74.00														95
100	70.00	69.00													100
105	66.00	65.00													105
110	62.00	62.00													110
115	59.00	58.00	58.00												115
120		55.00	55.00	54.00											120
125		53.00	52.00	51.00											125
130		50.00	50.00	49.00											130
135		48.00	47.00	47.00	46.00										135
140			45.00	45.00	44.00	43.20									140
145			43.40	42.80	42.00	41.20	41.20								145
150			41.60	41.00	40.20	39.60	39.40								150
155			39.80	39.20	38.60	37.80	37.80	37.20							155
160				37.60	37.00	36.20	36.20	35.80	35.60	32.40					160
165					36.20	35.60	34.80	34.80	34.20	34.20	32.00	25.00			165
170					34.80	34.20	33.40	33.40	32.80	32.80	31.60	24.60			170
175					33.40	32.80	32.20	32.00	31.60	31.60	31.20	24.00			175
180						31.60	31.00	30.80	30.40	30.40	30.00	25.20	23.60	19.20	180
185						30.40	29.80	29.80	29.20	29.20	28.80	25.00	23.20	18.80	185
190						29.20	28.60	28.60	28.20	28.20	27.80	24.60	22.60	18.40	190
195						28.20	27.60	27.60	27.20	27.20	26.80	24.20	22.20	18.00	195
200							26.60	26.60	26.20	26.20	25.80	23.40	21.80	17.80	200
205							25.60		25.20	25.20	24.80	22.40	21.40	17.60	205
210									24.20	24.20	24.00	21.60	20.80	17.40	210
215									23.40	23.40	23.00	20.80	20.40	17.20	215
220									22.60	22.60	22.20	20.00	20.00	17.00	220
225										21.80	21.40	19.40	19.60	16.80	225
230											20.80	18.60	19.20	16.60	230
235											20.00	18.00	18.80	16.40	235
240											19.20	17.40	18.40	16.20	240
245											18.60		18.00	16.20	245
250												17.60	16.20	13.80	250
255												17.20	16.20	13.60	255
260												16.40	16.00	13.20	260
265												15.80		13.00	265
270														12.80	270
275														12.40	275
280														12.20	280
285														12.00	285

THIS CHART IS ONLY A GUIDE AND SHOULD NOT BE USED TO OPERATE THE CRANE.

Grove GMK6400 The individual crane's load chart, operating instructions and other instructional plates must be read and understood prior to operating the crane.

Load chart

Luffing jib with MegaWingLift™



39,89 m
(130.9 ft)
70°



25 m - 79 m
(82.0 ft - 259.2 ft)



135 000 kg
(297,600 lb)



8,7 m x 8,5 m
(28.5 ft x 27.9 ft)
(100%)



360°




Pounds x 1000


Feet	82.0 0°	101.7 0°	121.4 0°	141.1 0°	160.8 0°	180.5 0°	180.5 22°	200.1 0°	200.1 22°	219.8 0°	219.8 22°	239.5 0°	239.5 22°	259.2 0°	Feet
95	70.00														95
100	67.00														100
105	63.00	62.00													105
110	60.00	59.00													110
115	57.00	56.00													115
120	54.00	51.00	52.00												120
125		53.00	50.00	49.00											125
130		51.00	47.00	46.00											130
135		48.00	45.00	44.00											135
140		46.00	43.20	42.20	41.80										140
145		44.00	41.40	40.40	40.00	38.80									145
150			39.60	38.60	38.40	37.20									150
155			38.00	37.00	36.80	35.60	35.60								155
160			36.40	35.60	35.20	34.20	34.20	33.40							160
165				34.20	33.80	32.80	32.80	32.00	32.00	31.40					165
170				32.80	32.40	31.40	31.40	30.60	30.60	30.00					170
175				31.60	31.20	30.20	30.20	29.40	29.40	28.80		24.40			175
180				30.20	30.00	29.00	29.00	28.40	28.40	27.60		24.00			180
185					29.00	27.80	27.80	27.20	27.20	26.60	25.20	23.60		19.20	185
190					27.80	26.80	26.80	26.20	26.20	25.60	25.00	23.20		18.80	190
195					26.80	25.80	25.80	25.20	25.20	24.60	24.60	22.60		18.20	195
200					25.80	24.80	24.80	24.20	24.20	23.60	24.20	22.20	18.20	17.80	200
205						24.00	24.00	23.40	23.40	22.80	23.40	21.80	17.80	17.40	205
210						23.00		22.40	22.40	22.00	22.40	21.40	17.60	17.00	210
215						22.20		21.60	21.60	21.00	21.60	21.00	17.40	16.80	215
220								20.80	20.80	20.40	20.80	20.20	17.20	16.40	220
225								20.00	20.00	19.60	20.00	19.40	17.00	16.00	225
230								19.20		18.80	19.40	18.60	16.80	15.60	230
235								18.60		18.20	18.60	18.00	16.60	15.20	235
240										17.40	18.00	17.20	16.40	15.00	240
245										16.80	17.40	16.60	16.40	14.60	245
250										16.20		16.00	16.00	14.20	250
255										15.60		15.40	15.40	14.00	255
260												14.80	15.00	13.60	260
265												14.20	14.40	13.40	265
270												13.80		13.00	270
275												13.20		12.60	275
280														12.00	280
285														11.60	285
290														11.20	290
295														10.60	295

Load chart


Luffing with MegaWingLift™




44,79 m
(147.0 ft)
70°




25 m - 79 m
(82.0 ft - 259.2 ft)





135 000 kg
(297,600 lb)



8,7 m x 8,5 m
(28.5 ft x 27.9 ft)
(100%)



360°


Pounds x 1000


Feet	82.0 0°	101.7 0°	121.4 0°	141.1 0°	160.8 0°	180.5 0°	200.1 22°	219.8 0°	239.5 22°	259.2 0°	Feet					
100	63.00										100					
105	60.00										105					
110	57.00										110					
115	54.00	53.00									115					
120	51.00	51.00									120					
125	49.00	48.00	47.00								125					
130	46.00	46.00	45.00								130					
135		44.00	43.00	42.00							135					
140		42.00	41.20	40.20							140					
145		40.00	39.40	38.40	38.00						145					
150		38.20	37.60	36.80	36.40						150					
155			36.00	35.20	34.80						155					
160			34.60	33.80	33.40	32.00	32.00				160					
165			33.20	32.40	32.00	30.60	30.60	29.80			165					
170			31.80	31.00	30.80	29.40	29.40	28.60			170					
175				29.80	29.60	28.20	28.20	27.40			175					
180					28.80	28.40	27.00	27.00	26.20	26.20	25.60	180				
185					27.60	27.40	26.00	26.00	25.20	25.20	24.60	23.80	185			
190					26.40	26.40	25.00	25.00	24.20	24.20	23.60	23.40	190			
195						25.40	24.00	24.00	23.20	23.40	22.60	23.20	22.40	195		
200						24.40	23.00	23.00	22.40	22.40	21.80	22.40	21.60	18.20	200	
205						23.40	22.20	22.20	21.60	21.60	21.00	21.60	20.80	18.20	17.80	205
210							21.40	21.40	20.60	20.80	20.20	20.60	20.00	18.00	17.40	210
215							20.60	20.60	20.00	20.00	19.40	20.00	19.20	17.60	17.20	215
220							19.80		19.20	19.20	18.60	19.20	18.40	17.40	16.80	220
225								18.40	18.40	17.80	18.40	17.60	17.20	16.40	16.40	225
230								17.80	17.80	17.20	17.80	17.00	17.00	16.00	16.00	230
235								17.00	17.00	16.60	17.00	16.40	16.40	15.60	15.60	235
240								16.40		16.00	16.40	16.00	15.80	15.80	15.00	240
245									15.40	15.80	15.20	15.20	15.20	14.40	14.40	245
250									14.80	15.20	14.60	14.60	14.60	13.80	13.80	250
255									14.20	14.60	14.00	14.00	14.00	13.20	13.20	255
260										13.60	13.40	13.40	13.40	12.60	12.60	260
265											12.80	13.00	13.00	12.20	12.20	265
270											12.40	12.40	12.40	11.60	11.60	270
275											11.80	12.00	12.00	11.20	11.20	275
280											11.40			10.60	10.60	280
285														10.20	10.20	285
290														9.80	9.80	290
295														9.40	9.40	295
300														9.00	9.00	300

THIS CHART IS ONLY A GUIDE AND SHOULD NOT BE USED TO OPERATE THE CRANE.

Grove GMK6400 The individual crane's load chart, operating instructions and other instructional plates must be read and understood prior to operating the crane.

Load chart

Luffing jib with MegaWingLift™



49,69 m
(163.0 ft)
70°



25 m - 79 m
(82.0 ft - 259.2 ft)



135 000 kg
(297,600 lb)



8,7 m x 8,5 m
(28.5 ft x 27.9 ft)
(100%)



360°



Pounds x 1000

Feet	82.0 0°	101.7 0°	121.4 0°	141.1 0°	160.8 0°	180.5 0°	22°	200.1 0°	22°	219.8 0°	22°	239.5 0°	22°	259.2 0°	Feet
115	52.00														115
120	50.00	48.00													120
125	47.00	46.00													125
130	45.00	44.00													130
135	42.80	42.00	41.00												135
140		40.00	39.20												140
145		38.40	37.40	36.60											145
150		36.60	35.80	35.00											150
155		35.00	34.40	33.60	32.80										155
160			33.00	32.20	31.40										160
165			31.60	30.80	30.20	28.60	28.00								165
170			30.20	29.60	29.00	27.40	27.40								170
175			29.00	28.40	27.80	26.40	26.40	25.60							175
180				27.40	26.80	25.20	25.20	24.40		23.80					180
185				26.20	25.80	24.20	24.20	23.40	23.40	22.80					185
190				25.20	24.80	23.20	23.20	22.40	22.40	21.80					190
195				24.20	23.80	22.40	22.40	21.60	21.60	21.00		20.80			195
200					22.80	21.40	21.40	20.80	20.60	20.00	20.60	19.80			200
205					22.00	20.60	20.60	19.80	19.80	19.20	19.80	19.00		18.20	205
210					21.20	19.80	19.80	19.20	19.00	18.40	19.00	18.20		17.40	210
215					20.20	19.00	19.00	18.40	18.40	17.80	18.20	17.60		16.80	215
220						18.20	18.20	17.60	17.60	17.00	17.60	16.80	16.80	16.00	220
225							17.60	17.00	17.00	16.40	16.80	16.20	16.20	15.40	225
230								16.20	16.20	15.60	16.20	15.40	15.60	14.80	230
235								15.60	15.60	15.00	15.60	14.80	15.00	14.00	235
240								15.00	15.00	14.40	15.00	14.20	14.40	13.40	240
245								14.40		13.80	14.40	13.60	13.80	13.00	245
250										13.20	13.80	13.20	13.20	12.40	250
255										12.80	13.20	12.60	12.60	11.80	255
260										12.20	12.60	12.00	12.20	11.40	260
265										11.80	12.20	11.60	11.60	10.80	265
270												11.00	11.20	10.40	270
275												10.60	10.60	9.80	275
280												10.20	10.20	9.40	280
285												9.60		9.00	285
290														8.60	290
295														8.20	295
300														7.80	300
305														7.40	305

Load chart

Luffing jib with MegaWingLift™



54,59 m
(179.1 ft)
70°



25 m - 79 m
(82.0 ft - 259.2 ft)



135 000 kg
(297,600 lb)



8,7 m x 8,5 m
(28.5 ft x 27.9 ft)
(100%)



360°



Pounds x 1000

Feet	82.0 0°	101.7 0°	121.4 0°	141.1 0°	160.8 0°	180.5 0° 22°	200.1 0° 22°	219.8 0° 22°	239.5 0° 22°	259.2 0°	Feet				
120	47.00										120				
125	45.00	43.60									125				
130	43.00	41.80									130				
135	41.00	39.80									135				
140	39.20	38.20	36.80								140				
145		36.40	35.20								145				
150		35.00	33.80								150				
155		33.40	32.40	31.40							155				
160		32.00	31.00	30.20							160				
165			29.80	29.00	28.00						165				
170			28.60	27.80	26.80						170				
175			27.40	26.60	25.80	24.60					175				
180			26.20	25.60	24.80	23.60	23.60				180				
185				24.60	23.80	22.60	22.60	21.80			185				
190				23.60	22.80	21.60	21.60	20.80			190				
195				22.60	21.80	20.80	20.80	20.00	20.00	20.00	195				
200				21.80	21.00	20.00	20.00	19.20	19.20	19.20	200				
205					20.20	19.20	19.20	18.40	18.40	18.40	205				
210					19.40	18.40	18.40	17.60	17.60	17.60	17.60	16.60	15.60	210	
215					18.60	17.60	17.60	16.80	16.80	16.80	16.80	16.00	15.00	215	
220					17.80	17.00	17.00	16.20	16.20	16.20	16.20	15.40	14.40	220	
225						16.20	16.20	15.40	15.60	15.60	15.60	14.60	13.80	225	
230						15.60	15.60	14.80	14.80	14.80	15.00	14.00	14.00	13.20	230
235						15.00	14.80	14.20	14.20	14.20	14.40	13.40	13.40	12.60	235
240						14.20		13.60	13.60	13.60	13.80	12.80	12.80	12.00	240
245								13.00	13.20	13.20	13.20	12.40	12.20	11.60	245
250								12.60	12.60	12.60	12.60	11.80	11.80	11.00	250
255								12.00	12.00	12.00	12.00	11.20	11.20	10.40	255
260										11.60	11.60	10.80	10.80	10.00	260
265										11.00	11.00	10.20	10.20	9.60	265
270										10.60	10.60	9.80	9.80	9.00	270
275										10.00	10.00	9.40	9.40	8.60	275
280												9.00	9.00	8.20	280
285												8.60	8.60	7.80	285
290														7.40	290
295														7.00	295
300														6.60	300
305														6.20	305
310														5.80	310

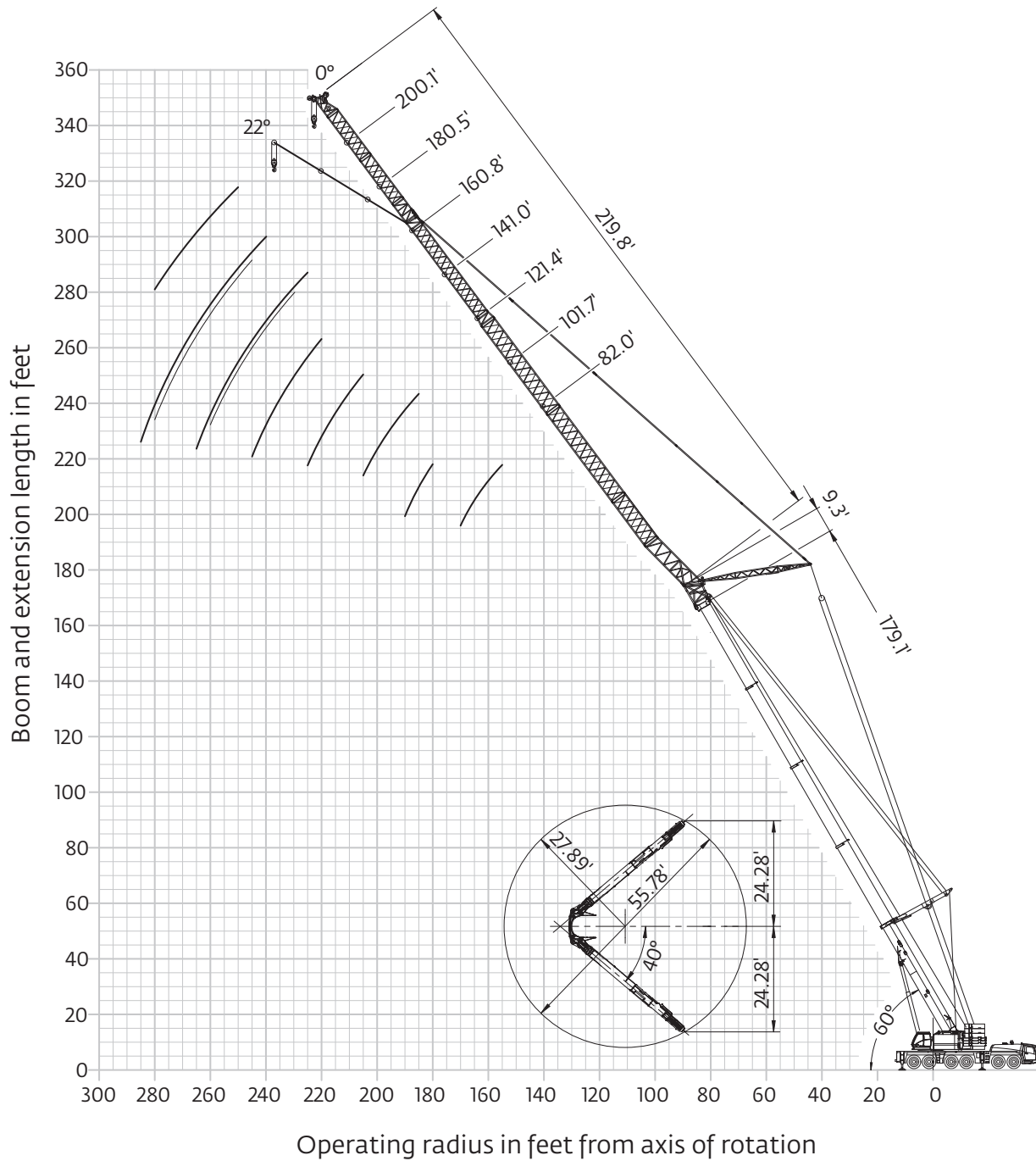
THIS CHART IS ONLY A GUIDE AND SHOULD NOT BE USED TO OPERATE THE CRANE.

Grove GMK6400 The individual crane's load chart, operating instructions and other instructional plates must be read and understood prior to operating the crane.

Working range

Luffing jib with MegaWingLift™

Main boom, luffing jib and MegaWingLift™ - 60°



Hook heights shown in the working diagram do not consider loaded boom deflection.

THIS CHART IS ONLY A GUIDE AND SHOULD NOT BE USED TO OPERATE THE CRANE.

The individual crane's load chart, operating instructions and other instructional plates must be read and understood prior to operating the crane.

Load chart

Luffing jib with MegaWingLift™



34,99 m
(114.8 ft)
60°



25 m - 67 m
(82.0 ft - 219.8 ft)



135 000 kg
(297,600 lb)



8,7 m x 8,5 m
(28.5 ft x 27.9 ft)
(100%)



360°



Pounds x 1000

Feet	82.0 0°	101.7 0°	121.4 0°	141.1 0°	160.8 0°	180.5 0°	180.5 22°	200.1 0°	200.1 22°	219.8 0°	Feet
120	49.00										120
125	47.00										125
130	45.00										130
135	42.60	41.60									135
140		39.80									140
145		38.00	37.20								145
150		36.40	35.60								150
155		34.80	24.00								155
160			23.60	31.80							160
165			31.40	30.60							165
170			30.00	29.40							170
175			28.80	28.20	27.80						175
180				27.00	26.80						180
185				26.00	25.60	24.20					185
190				25.00	24.60	23.20					190
195				24.00	23.80	22.40	22.40				195
200					22.80	21.40	21.40	20.60			200
205					22.00	20.60	20.60	19.80	19.80		205
210					21.20	19.80	19.80	19.00	19.00	18.40	210
215					20.40	19.00	19.00	18.40	18.40	17.80	215
220						18.40	18.40	17.60	17.60	17.00	220
225						17.60		17.00	17.00	16.40	225
230						17.00		16.20	16.20	15.80	230
235						16.20		15.60	15.60	15.00	235
240								15.00	15.00	14.40	240
245								14.40		14.00	245
250										13.40	250
255										12.80	255
260										12.40	260
265										11.80	265

THIS CHART IS ONLY A GUIDE AND SHOULD NOT BE USED TO OPERATE THE CRANE.

Grove GMK6400 The individual crane's load chart, operating instructions and other instructional plates must be read and understood prior to operating the crane.

Load chart

Luffing jib with MegaWingLift™



39,89 m
(130.9 ft)
60°



25 m - 67 m
(82.0 ft - 219.8 ft)



135 000 kg
(297,600 lb)



8,7 m x 8,5 m
(28.5 ft x 27.9 ft)
(100%)



360°



Pounds x 1000

Feet	82.0 0°	101.7 0°	121.4 0°	141.1 0°	160.8 0°	180.5 0°	180.5 22°	200.1 0°	200.1 22°	219.8 0°	Feet
125	43.80										125
130	41.60										130
135	39.60										135
140	37.80	37.20									140
145		35.60									145
150		34.00									150
155		32.60									155
160		31.20	30.40								160
165			29.00								165
170			28.00								170
175			26.80	25.60							175
180			25.80	24.60							180
185				23.60	22.60						185
190				22.60	21.80						190
195				21.80	20.80		22.40				195
200				20.80	20.00	18.60	21.40				200
205					19.20	17.80	20.60				205
210					18.40	17.00	19.80	16.20	16.20		210
215					17.80	16.40	19.00	15.60	15.60		215
220					17.00	15.60	18.40	14.80	15.00		220
225						15.00		14.20	14.20	14.20	225
230						14.40		13.60	13.60	13.60	230
235						13.80		13.00	13.20	13.00	235
240						13.20		12.60	12.60	12.40	240
245								12.00	12.00	11.80	245
250								11.40	11.40	11.40	250
255								11.00	11.00	10.80	255
260								10.40		10.40	260
265										10.00	265
270										9.40	270
275										9.00	275

Load chart

Luffing jib with MegaWingLift™



44,79 m
(147.0 ft)
60°



25 m - 67 m
(82.0 ft - 219.8 ft)



135 000 kg
(297,600 lb)



8,7 m x 8,5 m
(28.5 ft x 27.9 ft)
(100%)



360°



Pounds x 1000

Feet	82.0 0°	101.7 0°	121.4 0°	141.1 0°	160.8 0°	180.5 0°	180.5 22°	200.1 0°	200.1 22°	219.8 0°	Feet
140	35.40										140
145	33.80										145
150	32.40										150
155		30.00									155
160		28.60									160
165		27.40	26.40								165
170		26.20	25.20								170
175			24.20								175
180			23.20	21.80							180
185			22.20	21.00							185
190			21.40	20.20							190
195				19.40	18.40						195
200				18.60	17.60		18.60				200
205				17.80	16.80	15.40	17.80				205
210					16.20	14.60	17.00				210
215					15.40	14.00	16.40				215
220					14.80	13.40	15.60	13.00			220
225					14.20	12.80	15.00	12.60	12.60		225
230						12.20	14.40	12.00	12.00	11.40	230
235						11.60	13.80	11.40	11.40	10.80	235
240						11.20		10.80	10.80	10.20	240
245						10.60		10.40	10.40	9.80	245
250								9.80	9.80	9.40	250
255								9.40	9.40	8.80	255
260								8.80	9.00	8.40	260
265								8.40		8.00	265
270										7.60	270
275										7.20	275
280										6.80	280
285										6.40	285

THIS CHART IS ONLY A GUIDE AND SHOULD NOT BE USED TO OPERATE THE CRANE.

Grove GMK6400 The individual crane's load chart, operating instructions and other instructional plates must be read and understood prior to operating the crane.

Load chart

Luffing jib with MegaWingLift™



49,69 m
(163.0 ft)
60°



25 m - 67 m
(82.0 ft - 219.8 ft)



135 000 kg
(297,600 lb)



8,7 m x 8,5 m
(28.5 ft x 27.9 ft)
(100%)



360°



Pounds x 1000

Feet	82.0 0°	101.7 0°	121.4 0°	141.1 0°	160.8 0°	180.5 0°	180.5 22°	200.1 0°	200.1 22°	219.8 0°	Feet
145	31.40										145
150	30.00										150
155	28.60										155
160	27.40										160
165		25.20									165
170		24.00									170
175		23.00									175
180		22.00	21.00								180
185			20.20								185
190			19.20								190
195			18.40	17.20							195
200			17.60	16.40							200
205				15.80	14.80						205
210				15.00	14.00						210
215				14.40	13.40						215
220				13.60	12.80	12.00	11.80				220
225					12.20	11.40	11.40				225
230					11.80	10.80	10.80	10.00			230
235					11.20	10.20	10.20	9.40			235
240					10.60	9.80	9.80	9.00	9.00	8.40	240
245						9.20	9.20	8.60	8.60	7.80	245
250						8.80	8.20	8.00	8.00	7.40	250
255						8.20		7.60	7.60	7.00	255
260						7.80		7.20	7.20	6.60	260
265								6.80	6.80	6.20	265
270								6.40		5.80	270
275								6.00		5.40	275
280								5.60		5.00	280
285										4.80	285
290										4.40	290
295										4.00	295

Load chart

Luffing jib with MegaWingLift™



54,59 m
(179.1 ft)
60°



25 m - 67 m
(82.0 ft - 219.8 ft)



135 000 kg
(297,600 lb)



8,7 m x 8,5 m
(28.5 ft x 27.9 ft)
(100%)



360°



Pounds x 1000

Feet	82.0 0°	101.7 0°	121.4 0°	141.1 0°	160.8 0°	180.5 0°	180.5 22°	200.1 0°	200.1 22°	219.8 0°	Feet
155	26.40										155
160	25.40										160
165	24.20										165
170	23.20										170
175											175
180		20.00									180
185		19.20	18.00								185
190		18.40	17.20								190
195			16.60								195
200			15.80								200
205			15.20	13.80							205
210				13.20							210
215				12.60							215
220				12.00	11.80						220
225				11.40	11.00	9.40					225
230					10.40	9.00	9.00				230
235					10.00	8.40	8.40				235
240					9.40	8.00	8.00	7.20			240
245					9.00	7.60	7.60	6.80	6.80		245
250						7.20	7.20	6.40	6.40	5.60	250
255						6.60	6.60	6.00	6.00	5.20	255
260						6.20	6.20	5.60	5.60	4.80	260
265						5.80		5.20	5.20	4.60	265
270								4.80	4.80	4.20	270
275								4.40	4.40	3.80	275
280								4.00	4.00	3.40	280
285								3.60			285

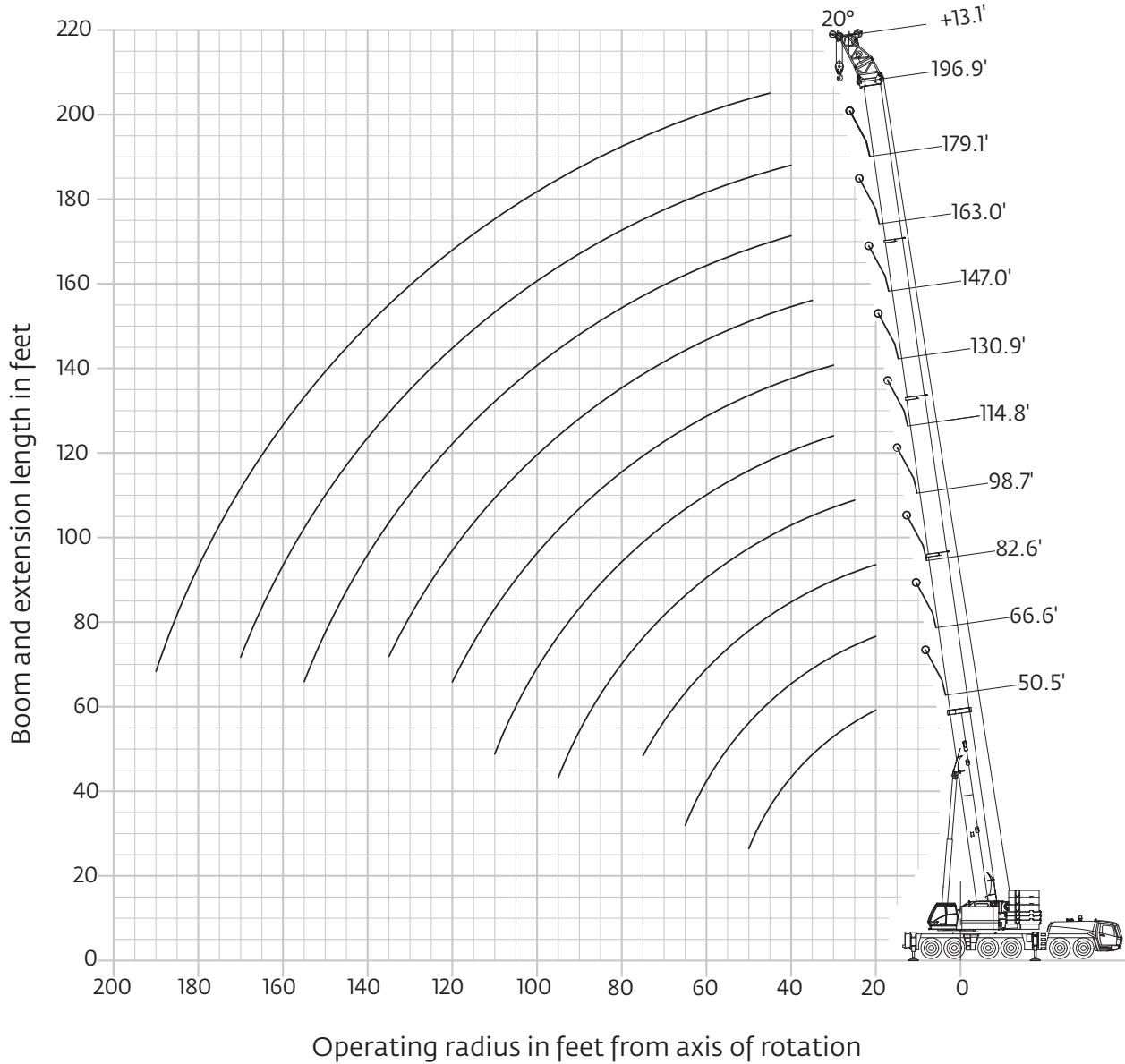
THIS CHART IS ONLY A GUIDE AND SHOULD NOT BE USED TO OPERATE THE CRANE.

Grove GMK6400 The individual crane's load chart, operating instructions and other instructional plates must be read and understood prior to operating the crane.

Working range

Heavy duty jib


Main boom and 4,0 m (13.1 ft) heavy duty jib



Hook heights shown in the working diagram do not consider loaded boom deflection.


Load chart

Heavy duty jib

 34,9 m - 60,0 m
(114.8 ft - 196.9 ft)

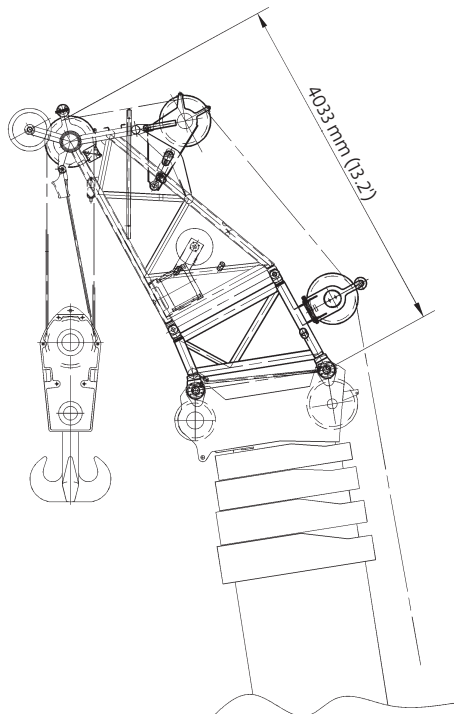
 4,0 m
(13.1 ft)
20°

 135 000 kg
(297,600 lb)

 8,7 m x 8,5 m
(28.5 ft x 27.9 ft)
(100%)

 360°

Feet	114.8	130.9	147.0	163.0	179.1	196.9	Feet
35	165.00	137.00	120.00				35
40	164.00	126.00	112.00	99.00	82.00		40
45	155.00	116.00	104.00	94.00	82.00	66.00	45
50	146.00	106.00	97.00	89.00	81.00	66.00	50
55	138.00	99.00	90.00	83.00	77.00	66.00	55
60	126.00	91.00	83.00	77.00	72.00	65.00	60
65	114.00	84.00	77.00	72.00	68.00	62.00	65
70	104.00	78.00	72.00	68.00	64.00	59.00	70
75	95.00	73.00	68.00	64.00	60.00	56.00	75
80	87.00	68.00	64.00	59.00	57.00	52.00	80
85	80.00	63.00	59.00	56.00	53.00	49.00	85
90	74.00	59.00	56.00	53.00	50.00	47.00	90
95	69.00	55.00	52.00	49.00	47.00	44.00	95
100	64.00	52.00	49.00	47.00	45.00	41.80	100
105	60.00	49.00	46.00	44.00	42.40	39.80	105
110	53.00	46.00	43.00	41.60	40.20	37.60	110
115		43.40	40.60	39.40	38.20	35.60	115
120		41.20	38.40	37.20	36.20	33.80	120
125			36.20	35.00	34.40	32.00	125
130			34.20	33.00	32.60	30.40	130
135			32.40	31.40	31.00	28.80	135
140				29.60	29.60	27.20	140
145				28.00	28.00	25.60	145
150				26.60	26.50	24.40	150
155				25.00	25.00	23.20	155
160					23.60	22.00	160
165					22.20	20.80	165
170					21.00	19.80	170
175						18.80	175
180						18.00	180
185						17.00	185
190						16.20	190



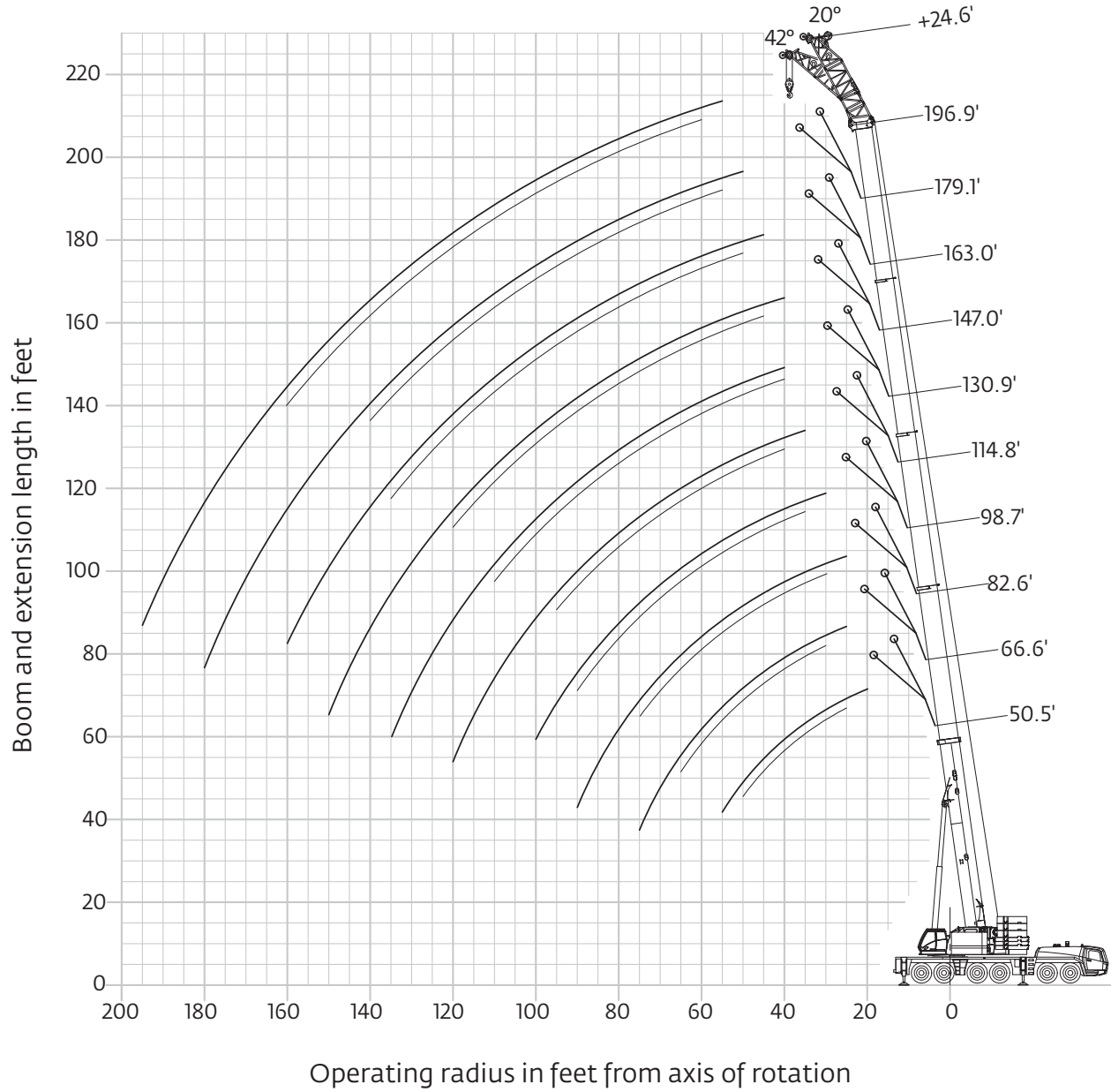
THIS CHART IS ONLY A GUIDE AND SHOULD NOT BE USED TO OPERATE THE CRANE.

Grove GMK6400 The individual crane's load chart, operating instructions and other instructional plates must be read and understood prior to operating the crane.

Working range

Heavy duty jib


Main boom and 7,5 m (24.6 ft) heavy duty jib




Hook heights shown in the working diagram do not consider loaded boom deflection.


Load chart

Heavy duty jib


34,9 m - 60,0 m
(114.8 ft - 196.9 ft)

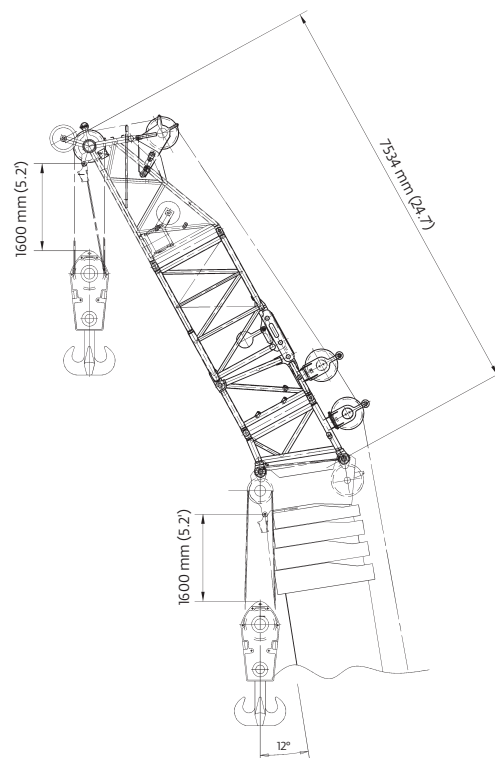

7,5 m
(24.6 ft)
20°


135 000 kg
(297,600 lb)


8,7 m x 8,5 m
(28.5 ft x 27.9 ft)
(100%)


360°

Feet	114.8	130.9	147.0	163.0	179.1	196.9	Feet
35	93.00						35
40	89.00	90.00	94.00				40
45	86.00	87.00	92.00	85.00			45
50	83.00	84.00	90.00	83.00	72.00		50
55	80.00	82.00	84.00	78.00	70.00	59.00	55
60	77.00	79.00	78.00	73.00	67.00	59.00	60
65	75.00	77.00	73.00	68.00	64.00	58.00	65
70	73.00	73.00	68.00	64.00	60.00	55.00	70
75	71.00	69.00	64.00	60.00	57.00	52.00	75
80	69.00	65.00	60.00	56.00	53.00	49.00	80
85	68.00	61.00	56.00	52.00	50.00	47.00	85
90	67.00	57.00	53.00	49.00	47.00	44.00	90
95	65.00	53.00	50.00	46.00	45.00	41.80	95
100	64.00	50.00	47.00	43.80	42.20	39.40	100
105	60.00	47.00	43.80	41.40	40.00	37.40	105
110	56.00	44.00	41.20	39.20	37.80	35.20	110
115	52.00	41.40	38.80	37.00	35.80	33.40	115
120	49.00	39.20	36.60	35.00	34.00	31.60	120
125		37.00	34.40	33.20	32.00	29.80	125
130		35.00	32.60	31.40	30.40	27.80	130
135		33.00	30.80	29.60	28.80	26.20	135
140			29.00	27.60	27.00	25.00	140
145			27.40	25.80	25.40	23.60	145
150			25.80	24.60	24.20	22.40	150
155				23.20	23.00	21.20	155
160				21.80	21.80	20.20	160
165					20.60	19.00	165
170					19.40	18.00	170
175					18.40	17.00	175
180					17.40	16.20	180
185						15.20	185
190						14.40	190
195						13.60	195



THIS CHART IS ONLY A GUIDE AND SHOULD NOT BE USED TO OPERATE THE CRANE.

Grove GMK6400 The individual crane's load chart, operating instructions and other instructional plates must be read and understood prior to operating the crane.

Load chart

Heavy duty jib



34,9 m - 60,0 m
(114.8 ft - 196.9 ft)



7,5 m
(24.6 ft)
42°



135 000 kg
(297,600 lb)

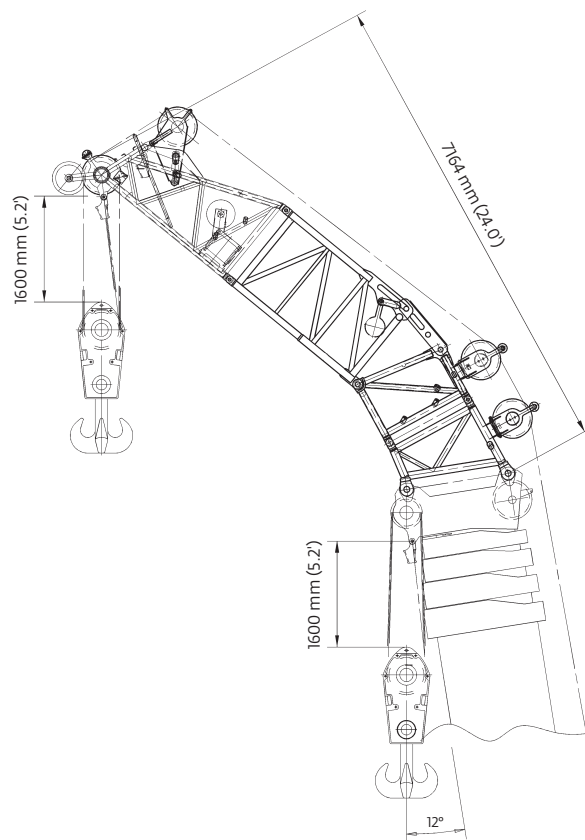


8,7 m x 8,5 m
(28.5 ft x 27.9 ft)
(100%)



360°

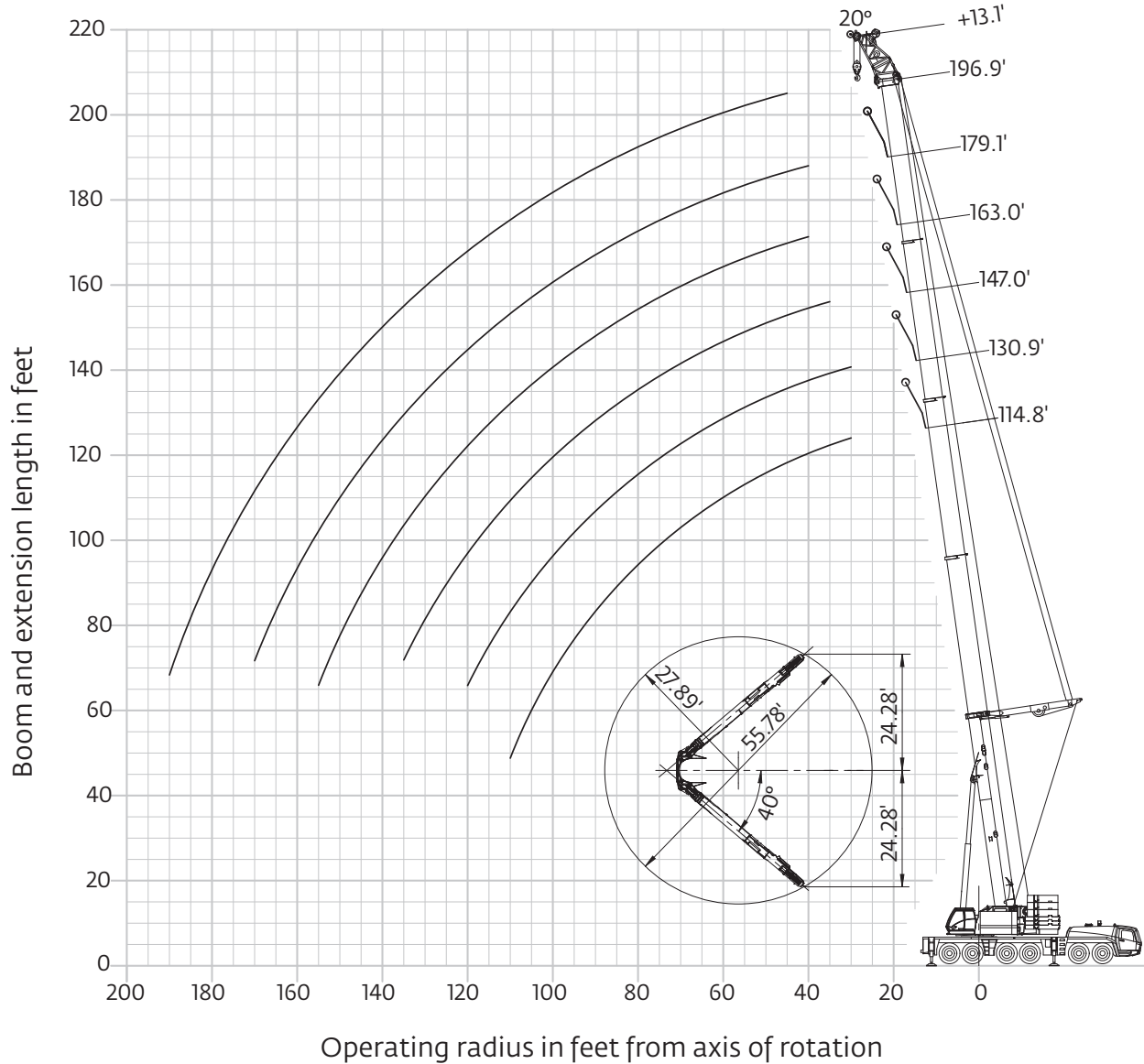
Feet	114.8	130.9	147.0	163.0	179.1	196.9	Feet
40	83.00	84.00					40
45	81.00	82.00	80.00				45
50	80.00	80.00	79.00	75.00			50
55	78.00	79.00	78.00	74.00	67.00		55
60	77.00	77.00	77.00	73.00	65.00	56.00	60
65	76.00	76.00	73.00	69.00	63.00	56.00	65
70	75.00	73.00	68.00	64.00	60.00	55.00	70
75	74.00	69.00	64.00	60.00	57.00	53.00	75
80	73.00	65.00	60.00	57.00	54.00	50.00	80
85	72.00	61.00	56.00	53.00	51.00	47.00	85
90	72.00	57.00	53.00	50.00	48.00	45.00	90
95	70.00	53.00	50.00	47.00	45.00	42.40	95
100		50.00	47.00	44.00	42.80	40.00	100
105		47.00	44.00	41.80	40.40	37.80	105
110		44.00	41.60	39.40	38.20	35.80	110
115			39.20	37.40	36.20	34.00	115
120			37.00	35.40	34.20	32.20	120
125				33.40	32.40	30.40	125
130				31.60	30.80	28.80	130
135				30.00	29.20	27.00	135
140					27.40	25.20	140
145						24.00	145
150						22.80	150
155						21.40	155
160						20.20	160



Working range

Heavy duty jib and MegaWingLift™

Main boom, 4,0 m (13.1 ft) heavy duty jib and MegaWingLift™



Hook heights shown in the working diagram do not consider loaded boom deflection.

THIS CHART IS ONLY A GUIDE AND SHOULD NOT BE USED TO OPERATE THE CRANE.

Grove GMK6400 *The individual crane's load chart, operating instructions and other instructional plates must be read and understood prior to operating the crane.*

Load chart

Heavy duty jib and MegaWingLift™



34,9 m - 60,0 m
(114.8 ft - 196.9 ft)



4,0 m
(13.1 ft)
20°



135 000 kg
(297,600 lb)

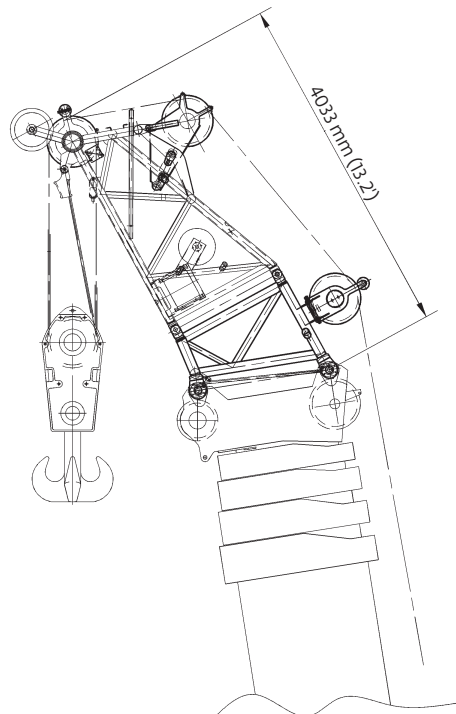


8,7 m x 8,5 m
(28.5 ft x 27.8 ft)
(100%)



360°

Feet	114.8	130.9	147.0	163.0	179.1	196.9	Feet
30	165.00	165.00					30
35	165.00	165.00					35
40	165.00	165.00	165.00	157.00	150.00		40
45	160.00	152.00	161.00	143.00	141.00	128.00	45
50	148.00	140.00	147.00	132.00	130.00	121.00	50
55	134.00	131.00	135.00	122.00	120.00	114.00	55
60	121.00	120.00	126.00	114.00	111.00	108.00	60
65	110.00	109.00	117.00	107.00	104.00	101.00	65
70	100.00	99.00	110.00	100.00	98.00	95.00	70
75	91.00	90.00	100.00	92.00	93.00	89.00	75
80	83.00	82.00	91.00	84.00	85.00	85.00	80
85	76.00	75.00	83.00	77.00	78.00	78.00	85
90	70.00	69.00	75.00	70.00	72.00	72.00	90
95	64.00	63.00	69.00	65.00	66.00	67.00	95
100	59.00	58.00	64.00	60.00	61.00	62.00	100
105	52.00	54.00	59.00	55.00	56.00	57.00	105
110	45.00	49.00	54.00	51.00	52.00	53.00	110
115		45.00	50.00	47.00	49.00	49.00	115
120		38.80	46.00	43.80	45.00	46.00	120
125			42.80	40.80	42.20	42.60	125
130			39.60	37.80	39.20	39.60	130
135			35.40	35.20	36.60	37.00	135
140			30.20	32.80	34.20	34.60	140
145				28.60	31.80	32.20	145
150				24.20	29.80	30.20	150
155				23.00	27.20	28.20	155
160					23.80	26.20	160
165					20.00	24.40	165
170					18.60	22.00	170
175						19.20	175
180						16.00	180
185						13.80	185
190						11.60	190



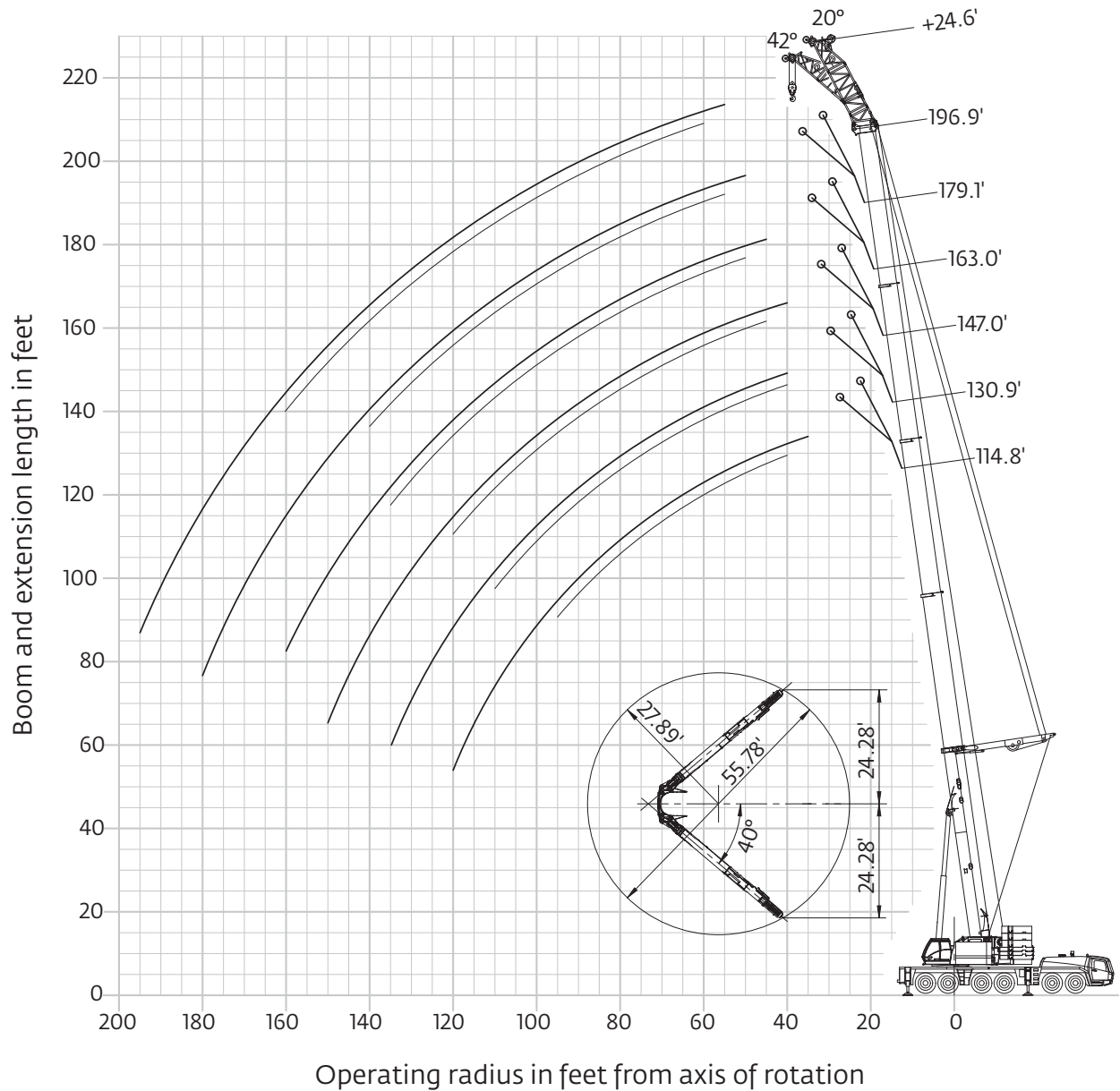
THIS CHART IS ONLY A GUIDE AND SHOULD NOT BE USED TO OPERATE THE CRANE.

The individual crane's load chart, operating instructions and other instructional plates must be read and understood prior to operating the crane.

Working range

Heavy duty jib and MegaWingLift™

Main boom, 7,5 m (24.6 ft) heavy duty jib and Mega Wing Lift™



Hook heights shown in the working diagram do not consider loaded boom deflection.

THIS CHART IS ONLY A GUIDE AND SHOULD NOT BE USED TO OPERATE THE CRANE.

Grove GMK6400 *The individual crane's load chart, operating instructions and other instructional plates must be read and understood prior to operating the crane.*

Load chart

Heavy duty jib and MegaWingLift™



34,9 m - 60,0 m
(114.8 ft - 196.9 ft)



7,5 m
(24.6 ft)
20°



135 000 kg
(297,600 lb)

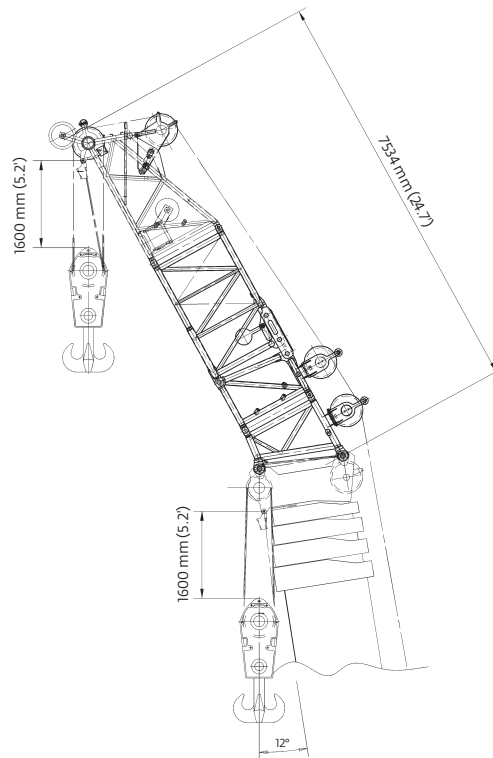


8,7 m x 8,5 m
(28.5 ft x 27.8 ft)
(100%)



360°

Feet	114.8	130.9	147.0	163.0	179.1	196.9	Feet
35	97.00		97.00				35
40	94.00	95.00	97.00				40
45	91.00	93.00	94.00	95.00			45
50	89.00	90.00	92.00	93.00	93.00		50
55	86.00	88.00	90.00	91.00	91.00	91.00	55
60	84.00	86.00	88.00	89.00	90.00	89.00	60
65	82.00	84.00	86.00	87.00	88.00	87.00	65
70	80.00	82.00	84.00	86.00	86.00	84.00	70
75	78.00	81.00	83.00	84.00	84.00	81.00	75
80	77.00	79.00	81.00	82.00	82.00	78.00	80
85	76.00	77.00	77.00	78.00	79.00	74.00	85
90	71.00	70.00	70.00	71.00	73.00	71.00	90
95	66.00	64.00	65.00	66.00	67.00	67.00	95
100	60.00	59.00	60.00	56.00	62.00	62.00	100
105	56.00	55.00	55.00	52.00	57.00	57.00	105
110	52.00	51.00	51.00	48.00	53.00	53.00	110
115	46.00	47.00	47.00	44.00	49.00	49.00	115
120	41.00	43.20	43.60	41.20	46.00	46.00	120
125		39.80	40.20	38.20	42.40	42.60	125
130		34.20	37.40	35.60	39.60	39.60	130
135			34.60	33.00	36.80	36.80	135
140			31.00	30.60	34.20	34.40	140
145			26.40	28.40	32.00	32.00	145
150			24.00	24.80	29.80	29.80	150
155				20.80	27.60	27.80	155
160					25.80	26.00	160
165					23.40	24.20	165
170					20.20	22.40	170
175					16.80	20.80	175
180					16.00	18.40	180
185						15.80	185
190						13.00	190
195						11.20	195




THIS CHART IS ONLY A GUIDE AND SHOULD NOT BE USED TO OPERATE THE CRANE.

The individual crane's load chart, operating instructions and other instructional plates must be read and understood prior to operating the crane.


Load chart

Heavy duty jib and MegaWingLift™

 34,9 m - 60,0 m
(114.8 ft - 196.9 ft)

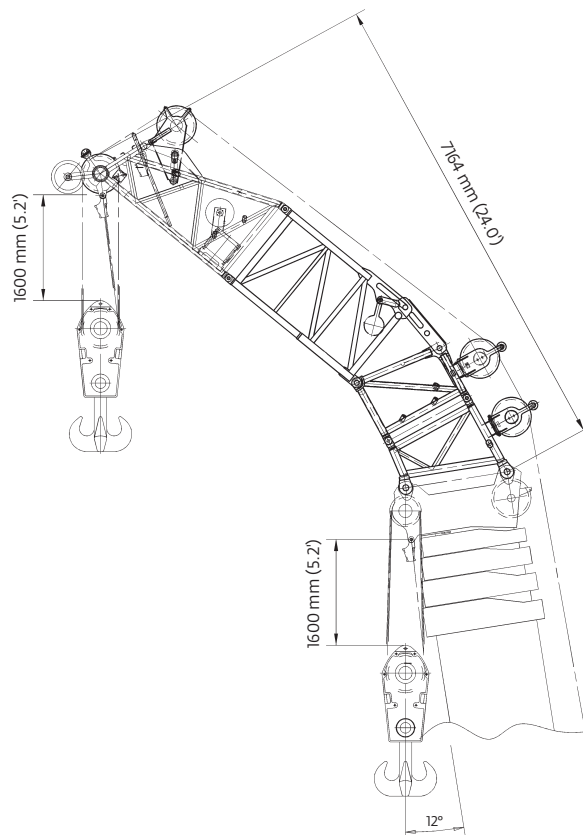
 7,5 m
(24.6 ft)
42°

 135 000 kg
(297,600 lb)

 8,7 m x 8,5 m
(28.5 ft x 27.8 ft)
(100%)

 360°

Feet	114.8	130.9	147.0	163.0	179.1	196.9	Feet
40	77.00						40
45	76.00	78.00	77.00				45
50	75.00	77.00	77.00	77.00			50
55	74.00	76.00	76.00	76.00	76.00		55
60	73.00	75.00	75.00	75.00	75.00	76.00	60
65	73.00	74.00	74.00	74.00	75.00	75.00	65
70	72.00	73.00	73.00	74.00	74.00	74.00	70
75	72.00	73.00	73.00	73.00	74.00	74.00	75
80	72.00	72.00	72.00	73.00	73.00	72.00	80
85	72.00	72.00	72.00	72.00	73.00	70.00	85
90	72.00	71.00	66.00	72.00	72.00	68.00	90
95	66.00	66.00	61.00	67.00	68.00	66.00	95
100		60.00	56.00	62.00	63.00	63.00	100
105		56.00	52.00	57.00	58.00	58.00	105
110		51.00	48.00	53.00	54.00	54.00	110
115			44.00	49.00	50.00	50.00	115
120				45.00	47.00	47.00	120
125				42.00	43.20	43.40	125
130				39.00	40.20	40.40	130
135				36.00	37.40	37.80	135
140					34.80	35.20	140
145						32.80	145
150						30.40	150
155						28.40	155
160						26.40	160



THIS CHART IS ONLY A GUIDE AND SHOULD NOT BE USED TO OPERATE THE CRANE.

Grove GMK6400 The individual crane's load chart, operating instructions and other instructional plates must be read and understood prior to operating the crane.

Symbols glossary



Axles



Counterweight



Grade



Radius



Boom



Drive



Hoist



Rotation



Boom elevation



Electrical system



Hookblock



Speed



Boom extension



Engine



Hydraulic system



Steering



Boom length



Extension



Lights



Suspension



Boom nose



Frame



Oil



Swing



Brakes



Fuel tank capacity



Outrigger controls



Tires



Cab



Gear



Outriggers



Transmission

Notes

Manitowoc Cranes

Regional headquarters

Americas

Manitowoc, Wisconsin, USA

Tel: +1 920 684 6621

Fax: +1 920 683 6277

Shady Grove, Pennsylvania, USA

Tel: +1 717 597 8121

Fax: +1 717 597 4062

Europe, Middle East, Africa

Ecully, France

Tel: +33 (0)4 72 18 20 20

Fax: +33 (0)4 72 18 20 00

China

Shanghai, China

Tel: +86 21 6457 0066

Fax: +86 21 6457 4955

Greater Asia-Pacific

Singapore

Tel: +65 6264 1188

Fax: +65 6862 4040

Regional offices

Americas

Brazil

Alphaville

Mexico

Monterrey

Chile

Santiago

Europe, Middle East, Africa

France

Baudemont

Cergy

Decines

Germany

Langenfeld

Italy

Lainate

Netherlands

Breda

Poland

Warsaw

Portugal

Baltar

Russia

Moscow

South Africa

Johannesburg

U.A.E.

Dubai

U.K.

Buckingham

China

Beijing

Chengdu

Guangzhou

Xian

Greater Asia-Pacific

Australia

Brisbane

Melbourne

Sydney

India

Chennai

Delhi

Hyderabad

Pune

Korea

Seoul

Philippines

Makati City

Singapore

Factories

Brazil

Passo Fundo

China

TaiAn

Zhangjiagang

France

Charlieu

Moulins

Germany

Wilhelmshaven

India

Pune

Italy

Niella Tanaro

Portugal

Baltar

Fânzeres

Slovakia

Saris

USA

Manitowoc

Port Washington

Shady Grove

This document is non-contractual. Constant improvement and engineering progress make it necessary that we reserve the right to make specification, equipment, and price changes without notice. Illustrations shown may include optional equipment and accessories and may not include all standard equipment.